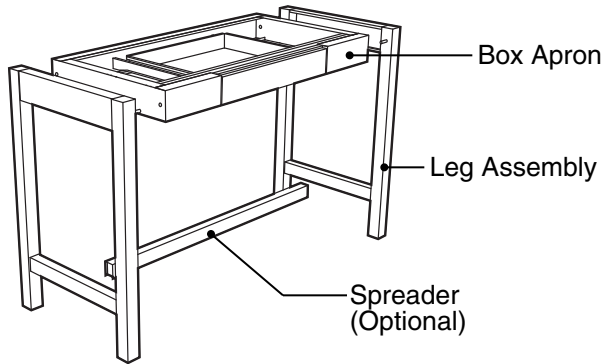


Steel Apron Assemblies

Components of an Apron Assembly



Specifications:

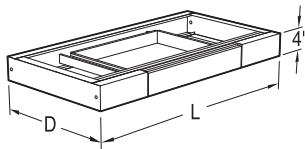
Box Aprons are 4" high in lengths and depths as shown. Dimensions shown are sizes of the apron without legs. Each leg or pedestal adds 2" to the overall length of the apron assembly. A free-standing table with legs on both ends will therefore be 4" longer than the apron length.

All aprons can be used between cabinets, with leg assemblies or with pedestal legs.

For aprons 42" long and longer, spreaders are available to connect the two leg assemblies. When a spreader is used, order the A08 or A28 leg assembly which are designed to accept the spreader.

* Not available in Textured Steel.

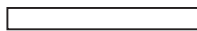
Box Aprons



Apron Drawer Inside Dimensions

Drawer Size	A	B	C	D	E
Nominal Drawer Size	10"	13"	16"	19"	22"
Length (Side-to-Side)	7 ⁵ / ₈ "	10 ⁵ / ₈ "	13 ⁵ / ₈ "	16 ⁵ / ₈ "	19 ⁵ / ₈ "
Depth (Front-to-Back)	18"	18"	18"	18"	18"
Height	2 ¹ / ₂ "	2 ¹ / ₂ "	2 ¹ / ₂ "	2 ¹ / ₂ "	2 ¹ / ₂ "

No Drawers*



22" Deep

1 Drawer



22" Deep

2 Drawers



22" Deep

3 Drawers



22" Deep

	Apron Length
A00M042218-0000	18"
A00M042224-0000	24"
A00M042230-0000	30"
A00M042236-0000	36"
A00M042242-0000	42"
A00M042248-0000	48"
A00M042254-0000	54"
A00M042260-0000	60"
A00M042266-0000	66"
A00M042272-0000	72"

Apron Dwr Length Size	
A01M042224-_____	24" D
A01M042230-_____	30" E
A01M042236-_____	36" E
A01M042242-_____	42" E
A01M042248-_____	48" E
A01M042254-_____	54" E
A01M042260-_____	60" E
A01M042266-_____	66" E
A01M042272-_____	72" E

Apron Dwr Length Size	
A02M042230-_____	30" A
A02M042236-_____	36" B
A02M042242-_____	42" C
A02M042248-_____	48" D
A02M042254-_____	54" E
A02M042260-_____	60" E
A02M042266-_____	66" E
A02M042272-_____	72" E

Apron Dwr Length Size	
A03M042254-_____	54" B
A03M042260-_____	60" C
A03M042266-_____	66" D
A03M042272-_____	72" D

28" Deep

	Apron Length
A00M042818-0000	18"
A00M042824-0000	24"
A00M042830-0000	30"
A00M042836-0000	36"
A00M042842-0000	42"
A00M042848-0000	48"
A00M042854-0000	54"
A00M042860-0000	60"
A00M042866-0000	66"
A00M042872-0000	72"

Apron Dwr Length Size	
A01M042824-_____	24" D
A01M042830-_____	30" E
A01M042836-_____	36" E
A01M042842-_____	42" E
A01M042848-_____	48" E
A01M042854-_____	54" E
A01M042860-_____	60" E
A01M042866-_____	66" E
A01M042872-_____	72" E

28" Deep

Apron Dwr Length Size	
A02M042830-_____	36" A
A02M042836-_____	36" B
A02M042842-_____	42" C
A02M042848-_____	48" E
A02M042854-_____	54" E
A02M042860-_____	60" E
A02M042866-_____	66" E
A02M042872-_____	72" E

28" Deep

Apron Dwr Length Size	
A03M042854-_____	54" B
A03M042860-_____	60" C
A03M042866-_____	66" D
A03M042872-_____	72" D

Steel Apron Assemblies

Specifications:

Corner Box Aprons provide support for corner work tops as well as the extra storage space of an apron drawer. The blind end may either be attached to the wall or supported by a leg or pedestal assembly.

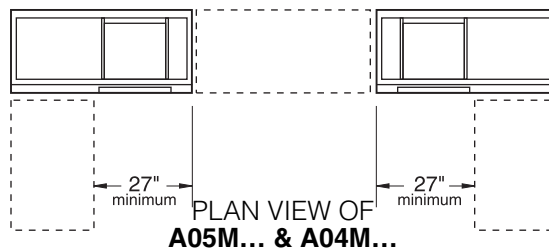
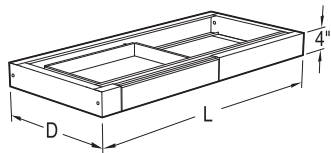
* Not available in Textured Steel

Apron Rails may be used in place of Box Aprons to provide worksurface support between two base units. They are 4" high and are available from 15" to 72" long in 1" increments.

Apron rails should be ordered in pairs to provide both front and rear top support.

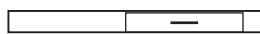
Work Top Support Frames may be used anywhere maximum knee space is wanted but top support is required. Fabricated of heavy gauge steel channels, it is only 7/8" high. The Keyboard Tray may be added to any of the frames or may be used independently.

Corner Box Aprons



1 Drawer on Right

1 Drawer on Left



22" Deep



22" Deep

	Apron Dwr Length Size
A05M042248-	48" E
A05M042254-	54" E
A05M042260-	60" E
A05M042266-	66" E
A05M042272-	72" E

	Apron Dwr Length Size
A04M042248-	48" E
A04M042254-	54" E
A04M042260-	60" E
A04M042266-	66" E
A04M042272-	72" E

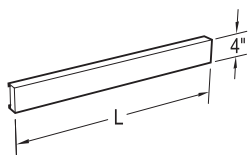
28" Deep

	Apron Dwr Length Size
A05M042848-	48" E
A05M042854-	54" E
A05M042860-	60" E
A05M042866-	66" E
A05M042872-	72" E

28" Deep

	Apron Dwr Length Size
A04M042848-	48" E
A04M042854-	54" E
A04M042860-	60" E
A04M042866-	66" E
A04M042872-	72" E

Apron Rails *



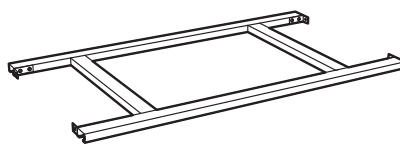
A06M0402 □□ -0000 15"-72"L

Apron rails are available from 15" to 72" long in 1" increments. To specify apron rail, insert the length required into the part number.

Example: A06M040248-00 is a 48" long apron rail.

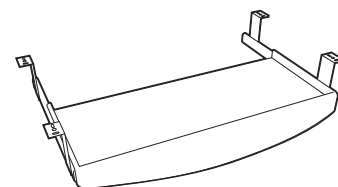
Apron rails should be ordered in pairs to provide both front and rear worksurface support.

Work Top Support Frame *



A80M012230-0000 22"D x 30"L
A80M012236-0000 22"D x 36"L
A80M012242-0000 22"D x 42"L
A80M012248-0000 22"D x 48"L

Keyboard Tray *



F-6853-00 22"L
 22 1/4" Long x 10 1/2" Deep x 3 1/2" High

Steel Leg Assemblies & Pedestals

Specifications:

Legs are 2" square and all except the Top Mounted Leg are joined in pairs with a 2" high stretcher and a 4" high apron rail. Dimensions are as shown.

For aprons 42" long and longer, spreaders are available to connect the two leg assemblies. When a

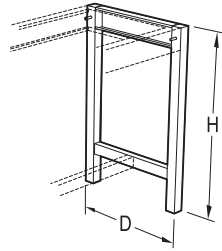
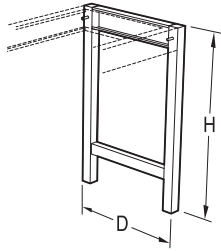
spreader is used, order the A08 or A28 leg assembly which are designed for use with a spreader.

All legs may be ordered with 4" swivel locking casters by adding **-B1** to the end of the part numbers.
Example: A07M312202-0000-**B1**

Pedestal Legs are 2" wide, depths and heights as shown. They are designed to be used with or without Box Aprons to form knee spaces at the end of assemblies.

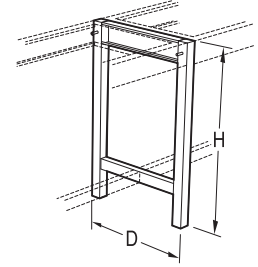
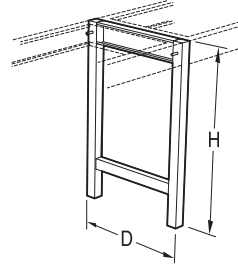
* Not available in Textured Steel

End Leg Assemblies *



For use with Spreader

Intermediate Leg Assemblies *



For use with Spreader

22³/₁₆" Deep
A07M312202-0000 30"H
A07M342202-0000 33"H
A07M362202-0000 35³/₄"H

22³/₁₆" Deep
A08M312202-0000 30"H
A08M342202-0000 33"H
A08M372202-0000 35³/₄"H

22³/₁₆" Deep
A27M312202-0000 30"H
A27M342202-0000 33"H
A27M372202-0000 35³/₄"H

22³/₁₆" Deep
A28M312202-0000 30"H
A28M342202-0000 33"H
A28M372202-0000 35³/₄"H

28³/₁₆" Deep
A07M312802-0000 30"H
A07M342802-0000 33"H
A07M372802-0000 35³/₄"H

28³/₁₆" Deep
A08M312802-0000 30"H
A08M342802-0000 33"H
A08M372802-0000 35³/₄"H

28³/₁₆" Deep
A27M312802-0000 30"H
A27M342802-0000 33"H
A27M372802-0000 35³/₄"H

28³/₁₆" Deep
A28M312802-0000 30"H
A28M342802-0000 33"H
A28M372802-0000 35³/₄"H

Each Leg Assembly adds 2" to the overall length of the apron assembly to which it is attached..

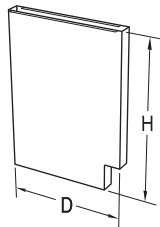
Top Mounted Leg *



A15M310202-0000 30"H
A15M340202-0000 33"H
A15M370202-0000 35³/₄"H

2" square leg welded to 4" square steel plate

Wall Pedestal Leg *



Left Side 22" Deep

A11M312202-0000 30"H
A11M342202-0000 33"H
A11M372202-0000 35³/₄"H

Left Side 28" Deep

A11M312802-0000 30"H
A11M342802-0000 33"H
A11M372802-0000 35³/₄"H

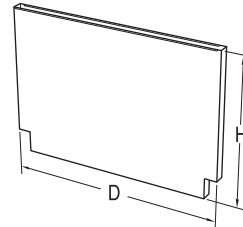
Right Side 22" Deep

A12M312202-0000 30"H
A12M342202-0000 33"H
A12M372202-0000 35³/₄"H

Right Side 28" Deep

A12M312802-0000 30"H
A12M342802-0000 33"H
A12M372802-0000 35³/₄"H

Center Pedestal Leg *

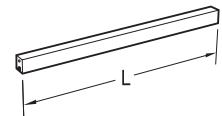


52" Deep

A13M315202-0000 30"H
A13M345202-0000 33"H
A13M375202-0000 35³/₄"H

Each Pedestal Leg adds 2" to the overall length of the assembly to which it is attached.

Spreader *



A09M020230-0000 30"L
A09M020236-0000 36"L
A09M020242-0000 42"L
A09M020248-0000 48"L
A09M020254-0000 54"L
A09M020260-0000 60"L
A09M020266-0000 66"L
A09M020272-0000 72"L

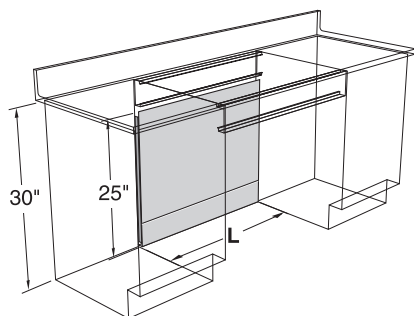
Steel Apron Rails & Panels

Specifications:

Knee Space panels are designed to close off the space between the floor and the bottom of the apron. They are sized for 31" high, 34" high, and 37" high assemblies.

* Not available in Textured Steel.

Sitting Height Knee Space Panels *

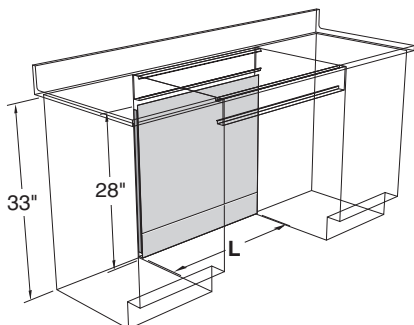


Apron Part Number	Actual Height	Length	for use with:
A10M2500 □□-0000	25 ¹ / ₆	15"-72"L	4" high apron
A10M2800 □□-0000	27 ¹³ / ₁₆	15"-72"L	A80 support frame
A10M2900 □□-0000	29 ¹ / ₆	15"-72"L	no apron or frame

Knee space panels are available from 15" to 72" long in 1" increments. To specify knee spade panel, insert the length required into the part number.

Example: A10M2500**48**-0000 is a 48" long knee space panel.

ADA Height Knee Space Panels *

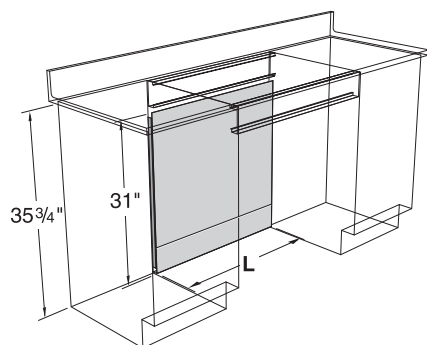


Apron Part Number	Actual Height	Length	for use with:
A10M2800 □□-0000	27 ¹³ / ₁₆	15"-72"L	4" high apron
A10M3100 □□-0000	30 ¹³ / ₁₆	15"-72"L	A80 support frame
A10M3200 □□-0000	31 ¹³ / ₁₆	15"-72"L	no apron or frame

Knee space panels are available from 15" to 72" long in 1" increments. To specify knee spade panel, insert the length required into the part number.

Example: A10M2800**48**-0000 is a 48" long knee space panel.

Standing Height Knee Space Panels *



Apron Part Number	Actual Height	Length	for use with:
A10M3100 □□-0000	30 ¹³ / ₁₆	15"-72"L	4" high apron
A10M3400 □□-0000	33 ¹³ / ₁₆	15"-72"L	A80 support frame
A10M3500 □□-0000	34 ¹³ / ₁₆	15"-72"L	no apron or frame

Knee space panels are available from 15" to 72" long in 1" increments. To specify knee spade panel, insert the length required into the part number.

Example: A10M3100**48**-0000 is a 48" long knee space panel.