

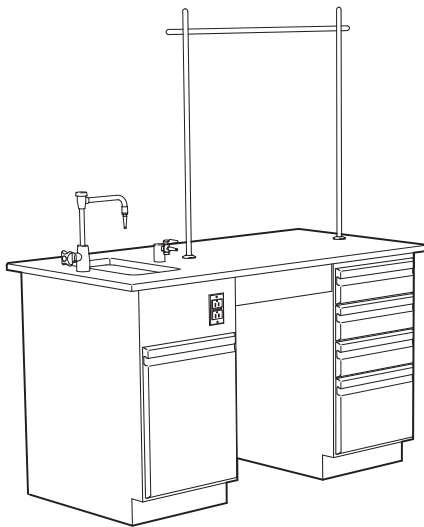
# Instructor and Demonstration Benches

**Instructor's Demonstration Benches** provide the space required to conduct effective table top demonstrations. Benches are available in two sizes and either left or right hand configurations. Both have cupboard and drawer storage areas, a 1" thick black Kemresin® work top and sink. Benches include:

fittings, fixtures, sink, rod sockets, upright rod assembly, finished back, knee space filler panel, base molding and molding corner guards.

**Note:** Last four digits of part number designates door style, hinge, hardwood species, and pull selection. See page 4 for full explanation. Actual product may vary slightly from catalog illustration due to style and hardware selection.

## 60" Instructor's Demonstration Bench



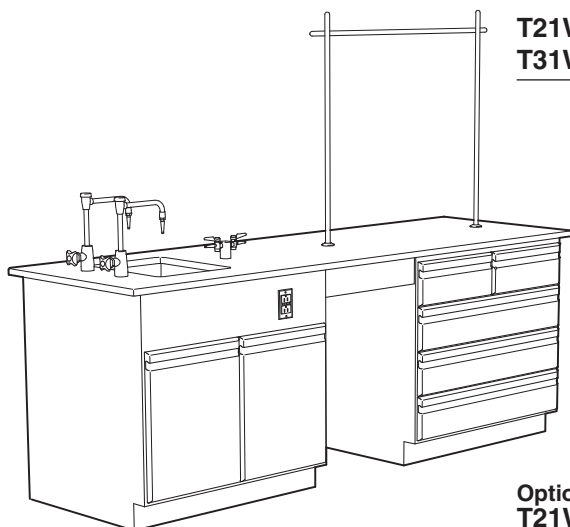
**T20W363060-\_\_\_\_\_** 36" High x 30" Deep x 60" Long **(Sink on Right)**  
**T30W363060-\_\_\_\_\_** 36" High x 30" Deep x 60" Long **(Sink on Left)**

- Work Top:** 1" Thick Black Kemresin  
**Work Top Size:** 30" x 60"  
**Cabinets:** (1) G72W362818-\_\_\_\_\_ Sink Cabinet  
 or G79W362818L\_\_\_\_\_ Sink Cabinet  
 (1) G71W362818-\_\_\_\_\_ Four Drawer Cabinet
- Sink:** (1) **1000-00** Kemresin – 6" H x 10" W x 14" L  
 (1) **0482-BP** 1 1/2" I.P.S. Sink Outlet  
**Electric Fixtures:** (1) **0656-01** 120 VAC GFI Duplex Receptacle  
**Fittings:** (1) **W-0337-6V** Cold Water w/VB Gooseneck  
 (1) **W-0260-00** Single Outlet Service Fitting  
 (2) **0548-00** Rod Sockets  
 (1) **4740-00** Upright Rod Assembly

**No service piping or electric conduit included.**

**Options:**  
**T20W363060-T\_\_\_\_\_** Without Work Top, Sink, Fittings & Fixtures (Right Hand)  
**T30W363060-T\_\_\_\_\_** Without Work Top, Sink, Fittings & Fixtures (Left Hand)

## 96" Instructor's Demonstration Bench



**T21W363096-\_\_\_\_\_** 36" High x 30" Deep x 96" Long **(Sink on Right)**  
**T31W363096-\_\_\_\_\_** 36" High x 30" Deep x 96" Long **(Sink on Left)**

- Work Top:** 1" Thick Black Kemresin  
**Work Top Size:** 30" x 96"  
**Cabinets:** (1) G74W362836-\_\_\_\_\_ Sink Cabinet  
 or G78W362836-\_\_\_\_\_ Sink Cabinet  
 (1) G73W362836-\_\_\_\_\_ Five Drawer Cabinet
- Sink:** (1) **1003-00** Kemresin – 11" H x 15" W x 18" L I.D.  
 (1) **0482-BP** 1 1/2" I.P.S. Sink Outlet  
**Electric Fixtures:** (1) **0656-01** 120 VAC GFI Duplex Receptacle  
**Fittings:** (2) **W-0337-0V** Cold Water w/VB Gooseneck  
 (1) **W-0263-00** Double Outlet Service Fitting  
 (2) **0548-00** Rod Sockets  
 (1) **4740-00** Upright Rod Assembly

**No service piping or electric conduit included.**

**Options:**  
**T21W363096-T\_\_\_\_\_** Without Work Top, Sink, Fittings & Fixtures (Right Hand)  
**T31W363096-T\_\_\_\_\_** Without Work Top, Sink, Fittings & Fixtures (Left Hand)

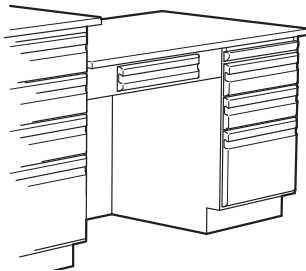
# Instructor and Demonstration Benches

**Instructor's Bench Desk** is designed to be added to the right or left side of the Instructor's Demonstration Benches creating additional working and storage space for the instructor.

**Wood Laboratory Carts** are designed for efficient interaction where sturdy, dependable work surface height mobility is needed. Both the open and enclosed carts are mounted on 3" diameter rubber tired casters. Casters have brakes for stationary use.

**Note:** Last four digits of part number designates door style, hinge, hardwood species, and pull selection. See page 4 for full explanation. Actual product may vary slightly from catalog illustration due to style and hardware selection.

## Instructor's Bench Desk with Apron Drawer



**T24W313048**□\_\_\_\_\_ 31" High x 30" Deep x 48" Long **(Right Side)**  
**T34W313048**□\_\_\_\_\_ 31" High x 30" Deep x 48" Long **(Left Side)**

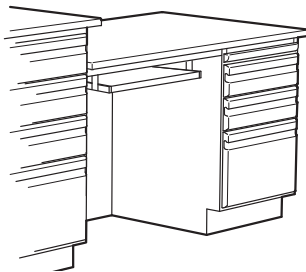
**Work Top:** **R** – Black Kemresin  
**P** – Black Plastic Laminate  
**D** – Black Acid Resistant Plastic Laminate

**Work Top Size:** 1" x 30" x 48"  
**Cabinets:** (1) D90W302218-\_\_\_\_\_ 3-Drawer Cabinet w/Pull Board  
(1) A01W052229-\_\_0\_\_ Apron with Drawer – 29" Long  
(1) G70W240647-00\_0 Book Shelf 6" D x 26" H x 47" L

**Options:**

**T24W313048-T**\_\_\_\_\_ Without Work Top (Right Side)  
**T34W313048-T**\_\_\_\_\_ Without Work Top (Left Side)

## Instructor's Bench Desk with Keyboard Tray



**T25W313048**□\_\_\_\_\_ 31" High x 30" Deep x 48" Long **(Right Side)**  
**T35W313048**□\_\_\_\_\_ 31" High x 30" Deep x 48" Long **(Left Side)**

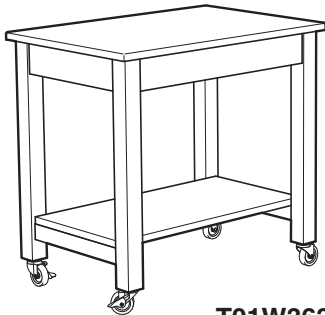
**Work Top:** **R** – Black Kemresin  
**P** – Black Plastic Laminate  
**D** – Black Acid Resistant Plastic Laminate

**Work Top Size:** 1" x 30" x 48"  
**Cabinets:** (1) D90W302218-\_\_\_\_\_ 3-Drawer Cabinet w/Pull Board  
(1) A80W002220-00\_0 Frame with Keyboard Tray– 29" L  
(1) G70W240647-00\_0 Book Shelf 6" D x 26" H x 47" L

**Options:**

**T25W313048-T**\_\_\_\_\_ Without Work Top (Right Side)  
**T35W313048-T**\_\_\_\_\_ Without Work Top (Left Side)

## Wood Laboratory Carts



**T00W362537R00\_0** Black Kemresin Top  
**T00W362537P00\_0** Black Plastic Laminate Top  
**T00W362537D00\_0** Black Acid Resistant Plastic Laminate Top

**Work Top Size:** 1" x 25" x 37"  
**Apron Size:** 35" x 22" x 35"

**Options:**

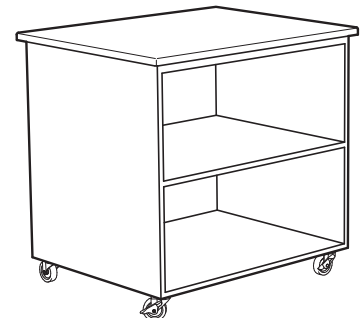
**T00W362537-T00\_0** Without Work Top

**T01W363037R00\_0** Black Kemresin Top  
**T01W363037P00\_0** Black Plastic Laminate Top  
**T01W363037D00\_0** Black Acid Resistant Plastic Laminate Top

**Work Top Size:** 1" x 30" x 37"  
**Cabinet Size:** 35" x 26<sup>3</sup>/<sub>4</sub>" x 35"

**Options:**

**T01W363037-T00\_0** Without Work Top



# Mobile Demonstration Bench

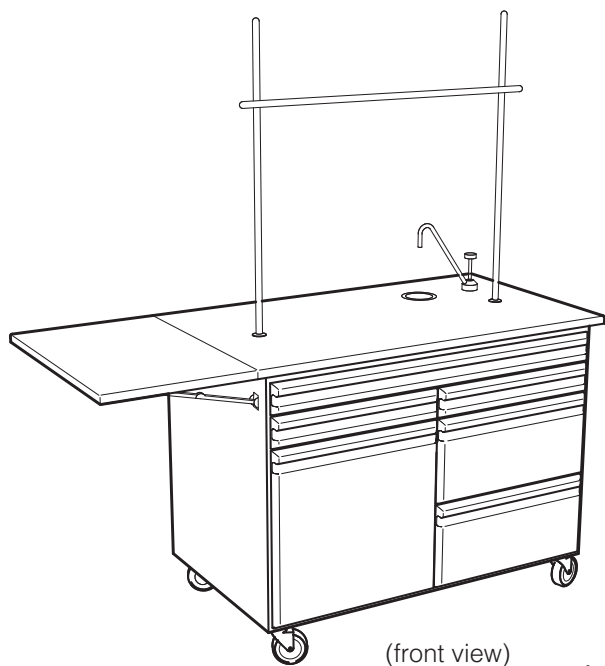
**Mobile Demonstration Bench** is a totally self-contained movable laboratory bench with its own services as well as storage space for supplies. It is furnished complete with water supply and waste containers.

**Note:** Last four digits of part number designates door style, hinge, hardwood species, and pull selection. See page 4 for full explanation. Actual product may vary slightly from catalog illustration due to style and hardware selection.

**Note:** Work tops are available in two materials: Plastic Laminate and Acid Resistant Plastic Laminate. To specify top material, replace the box in part number with the top material designation letter.

**Example:** T56W363066**P**0010 specifies a Plastic Laminate work top.

## Mobile Demonstration Bench



**T56W363066** □ \_\_\_\_\_ 36" High x 30" Deep x 66" Long

**Work Top:** **P** – Black Plastic Laminate

**Work Top:** **D** – Black Acid Resistant Plastic Laminate

**Work Top Size:** Main Top 1" x 30" x 48" – Drop Leaf 1" x 30" x 18"

**Cabinet:** 35" H x 27 1/2" D x 45" L

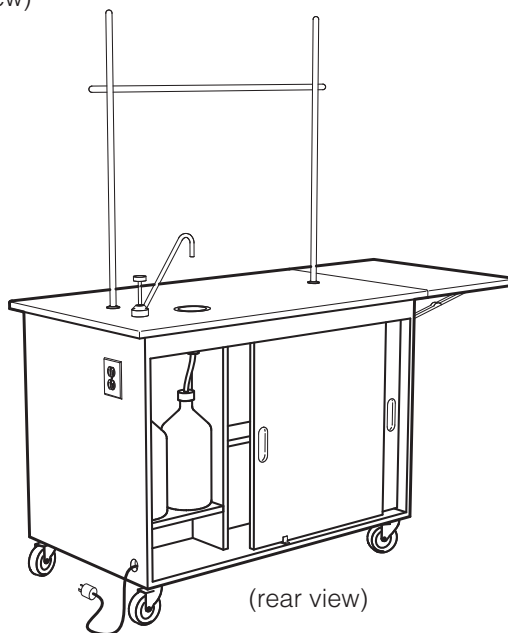
**Sink:** (1) 3 1/2" dia. Stainless Steel Crumb Cup

**Electric Fixtures:** (1) **0581-01** 120 VAC Duplex Receptacle with 10 foot long extension cord

**Fittings:** (1) **W-0405-00** Cold Water Pump Gooseneck  
(2) One-Gallon Plastic Carboys for Water & Waste  
(2) **0548-00** Rod Sockets  
(2) **0549-18** 1/2" Dia Upright Rods – 18" Long  
(1) **4740-00** Upright Rod Assembly

**Options:**

**T56W363066-T** \_\_\_\_\_ Without Work Top, Sink, Fittings & Fixtures



# ADA Height Mobile Workstation

**ADA Height Mobile Workstation;** mobile workstation designed to meet the height requirements of the Americans with Disabilities Act. Totally self-contained with its own services as well as storage space for supplies, it is furnished complete with water supply and waste containers.

Electrical turret is furnished with an eight-foot drop cord. Gas turret is furnished with hose bib on the supply side to connect to laboratory gas supply.

**Note:** Last four digits of part number designates door style, hinge, hardwood species, and pull selection. See page 4 for full explanation. Actual product may vary slightly from catalog illustration due to style and hardware selection.

## ADA Height Mobile Workstation

**T57W323060-\_\_\_\_\_** 31<sup>3</sup>/<sub>4</sub>" High x 30" Deep x 60" Long

**Work Top:** Black Kemresin

**Work Top Size:** Main Top 1" x 30" x 60"

**Understructure:** (1) T52W323060- 30<sup>3</sup>/<sub>4</sub>" H x 27<sup>1</sup>/<sub>2</sub>" D x 58" L

**Sink:** (1) 3<sup>1</sup>/<sub>2</sub>" dia. Stainless Steel Crumb Cup

**Electric Fixtures:** (1) **0581-02** 120 VAC Duplex Receptacle

(1) 8 foot long extension cord

**Fittings:** (1) **W-0405-00** Cold Water Pump Gooseneck

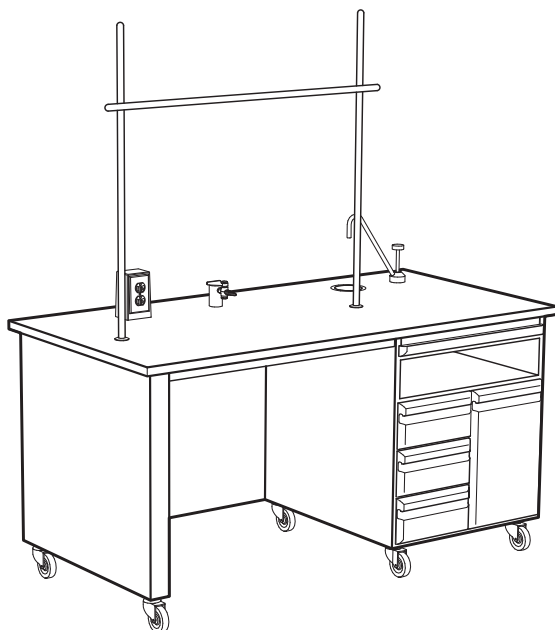
(2) One-Gallon Plastic Carboys for Water & Waste

(1) **W-0260-0G** Deck Mounted Gas Fitting

(2) **0548-00** Rod Sockets

(2) **0549-18** 1/2" Dia Upright Rods – 18" Long

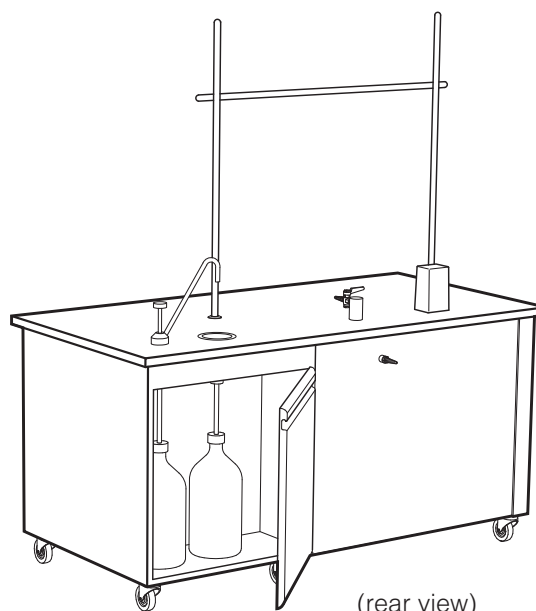
(1) **4740-00** Upright Rod Assembly



(front view)

### Options:

**T57W323060-T\_\_\_\_\_** Without Work Top, Sink, Fittings & Fixtures



(rear view)