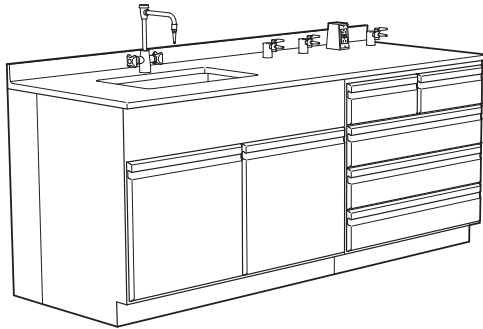


Wall Benches

These Wall Benches are typical of the many assemblies that can be created from components in this catalog. They are complete with base cabinets, work tops, fittings, fixtures, fillers and base molding.

Note: Last four digits of part number designates drawer head style, hinge, hardwood species, and pull selection. See page 4 for full explanation. Actual product may vary slightly from catalog illustration due to style and hardware selection.

Preparation Wall Bench



T32W363184-_____ 36" High x 31" Deep x 84" Long

Work Top: 1" Thick Black Kemresin with 4" High Curb
Work Top Size: 31" x 84"
Cabinets: (1) G00W362248- Sink Cabinet
 (1) D31W362236- Five Drawer Cabinet

Sink: (1) **1005-00** 10" H x 15" D x 25" L I.D.
 (1) **0482-BP** 1 1/2" I.P.S. Sink Outlet

Electric Fixtures: (1) **0656-02** 120 VAC GFI Duplex Pedestal
Fittings: (1) **W-0340-0V** H & C Water w/VB

Gooseneck

(3) **W-0260-00** Single Outlet Service

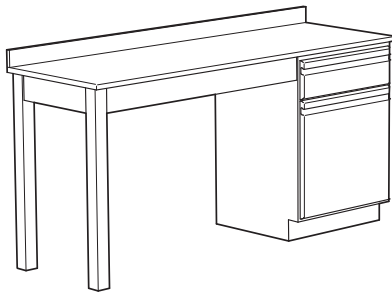
Fitting

No service piping or electric conduit included.

Options:

T32W363184-T_____ Without Top, Sink, Fittings & Fixtures

Preparation/Apparatus Wall Bench



31" High x 24" Deep x 72" Long

T47W312472R_____ Black Kemresin Top

T47W312472P_____ Black Plastic Laminate Top

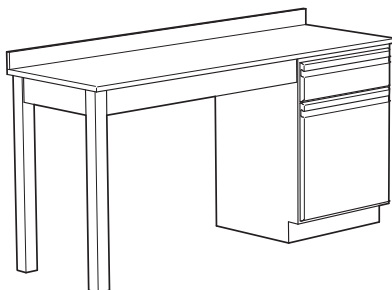
T47W312472D_____ Black Acid Resistant Plastic Laminate Top

Work Top Size: 1" x 24" x 72" with 1" x 4" x 72" curb

Cabinets: (1) E40W312224- Drawer/Cupboard Cabinet
 (1) A10W052248- Apron

Options:

T47W312472-T_____ Without Work Top



36" High x 24" Deep x 72" Long

T47W362472R_____ Black Kemresin Top

T47W362472P_____ Black Plastic Laminate Top

T47W362472D_____ Black Acid Resistant Plastic Laminate Top

Work Top Size: 1" x 24" x 72" with 1" x 4" x 72" curb

Cabinets: (1) E40W362224- Drawer/Cupboard Cabinet
 (1) A10W052248- Apron

Options:

T47W362472-T_____ Without Work Top

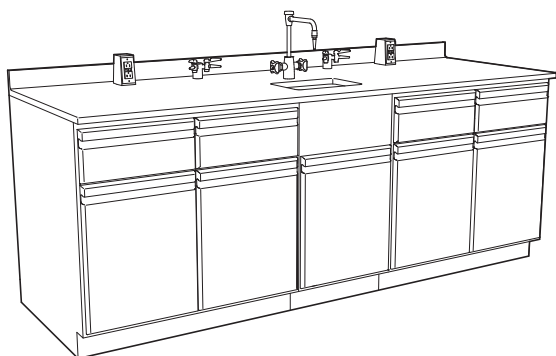
Wall Benches

These Wall Benches are typical of the many assemblies that can be created from components in this catalog. They are complete with base cabinets, work tops, fittings, fixtures, fillers and base molding.

The Rinse-Away Station features a dished Type 316 stainless steel top that is pitched to the integral sink. The mixing gooseneck and hand held spray unit make it a valuable addition to any lab prep area.

Note: Last four digits of part number designates drawer head style, hinge, hardwood species, and pull selection. See page 4 for full explanation. Actual product may vary slightly from catalog illustration due to style and hardware selection.

Multi-Science Wall Bench with Sink



T60W363190-_____ 36" High x 31" Deep x 90" Long

Work Top: 1" Thick Black Kemresin with 4" High Curb

Work Top Size: 31" x 90"

Cabinets: (2) E41W362236- Drawer/Cupboard Cabinet
(1) G00W362218- Sink Cabinet

Sink: (1) **1000-00** 6" H x 10" D x 14" L I.D.

(1) **0482-BP** 1 1/2" I.P.S. Sink Outlet

Electric Fixtures: (2) **0656-02** 120 VAC GFI Duplex Pedestal

Fittings: (1) **W-0340-0V** H & C Water w/VB Gooseneck

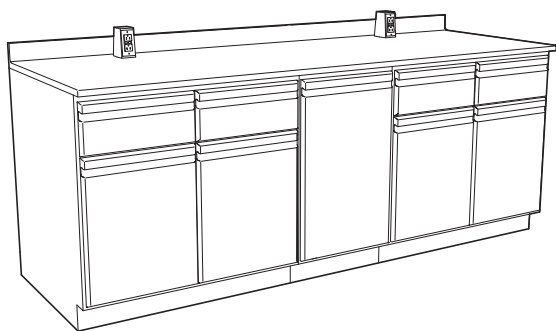
(2) **W-0260-00** Single Outlet Service Fitting

No service piping or electric conduit included.

Options:

T60W363190-T_____ Without Top, Sink, Fittings & Fixtures

Multi-Science Wall Bench



T61W363190-_____ 36" High x 31" Deep x 90" Long

Work Top: 1" Thick Black Kemresin with 4" High Curb

Work Top Size: 31" x 90"

Cabinets: (2) E41W362236- Drawer/Cupboard Cabinet
(1) C03W362218- Cupboard Cabinet

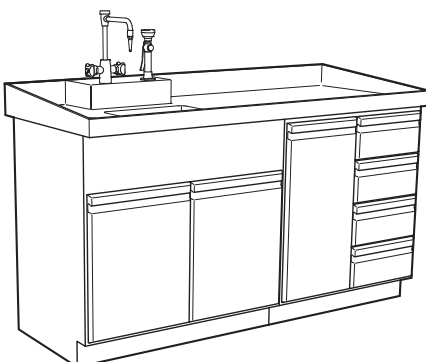
Electric Fixtures: (2) **0656-02** 120 VAC GFI Duplex Pedestal

No service piping or electric conduit included.

Options:

T61W363190-T_____ Without Top & Fixtures

Rinse-Away Station



T36W362766-_____ 36" High x 27" Deep x 66" Long

Work Top: 1" Type 316 Stainless Steel with 1 1/2" High Front Rim- 4" High Curb and Ledge

Work Top Size: 27" x 66"

Cabinets: (1) G00W362236- Sink Cabinet
(1) E45W362230L- Drawer/Cupboard Cabinet

Sink: (1) Integral Stainless Steel
8 1/2" H x 11" D x 15" L I.D.

(1) **0995-00** 1 1/2" I.P.S. Cup Strainer

Fittings: (1) **W-0340-0V** H & C Water w/VB Gooseneck

(1) **W-0923-00** Hose Spray/Eyewash

No service piping or electric conduit included.

Options:

T36W362766-T_____ Without Top, Sink & Fittings

Multi-Student Benches

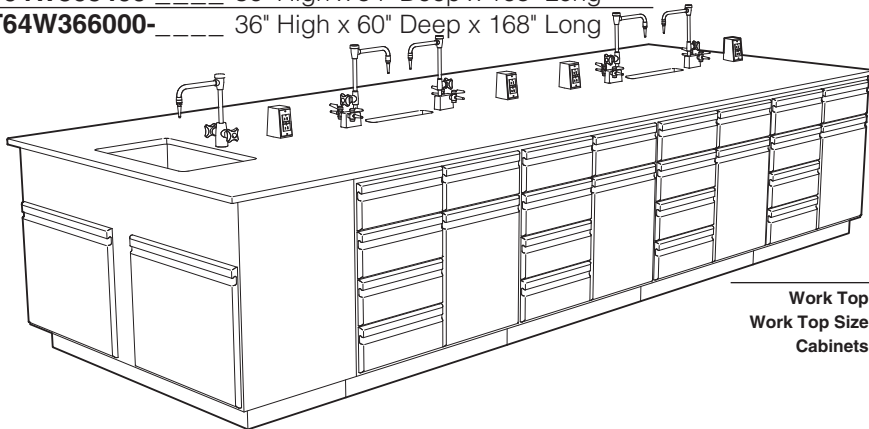
These multi-student Center Bench and Wall Bench assemblies are typical of the many configurations that can be created from components in this catalog. They are complete with base cabinets, work tops, fittings, fixtures, fillers and base molding.

Note: Last four digits of part number designates drawer head style, hinge, hardwood species, and pull selection. See page 4 for full explanation. Actual product may vary slightly from catalog illustration due to style and hardware selection.

Eight-Student Center Bench Assembly with Wash-up Sink

T64W365400- 36" High x 54" Deep x 168" Long

T64W366000- 36" High x 60" Deep x 168" Long



options:

T64W365400-T Without Top, Sink, Fittings & Fixtures

T64W366000-T Without Top, Sink, Fittings & Fixtures

- Work Top:** 1" Thick Black Kemresin
- Work Top Size:** 54" x 168" or 60" x 168"
- Cabinets:** (4) E43W362236- Drawer/Cupboard Cabinet
(4) E43W362236L Drawer/Cupboard Cabinet
(1) G04W362251- Sink Cabinet

- Sink:** (1) **1005-00** 10" H x 15" D x 25" L I.D.
(1) **0482-BP** 1 1/2" I.P.S. Sink Outlet
(2) **0493-BE** Kemresin Cupsink

- Electric Fittings:** (4) **0656-03** 5 1/4" H x 4 1/8" D x 13 3/8" L I.D. 120 VAC GFI Duplex Two-Sided Pedestal

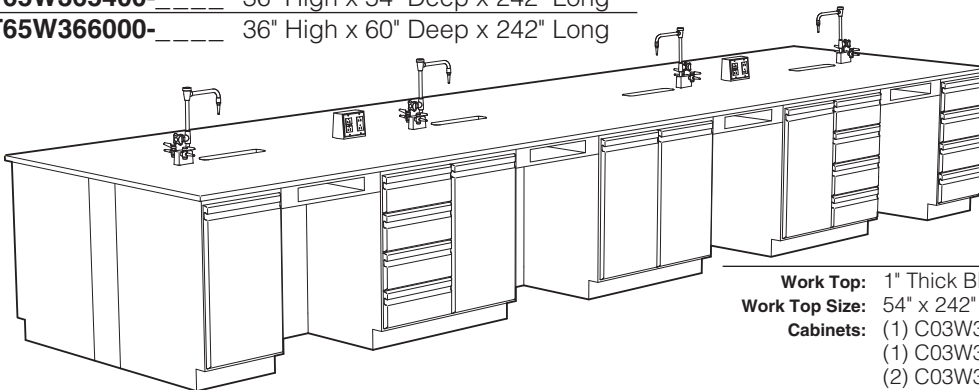
- Fixtures:** (1) **W-0340-0V** H & C Water w/VB Gooseneck
(4) **W-0274-VB** Combination Water & Gas

No service piping or electric conduit included.

Eight-Student Center Bench Assembly

T65W365400- 36" High x 54" Deep x 242" Long

T65W366000- 36" High x 60" Deep x 242" Long



options:

T65W365400-T Without Top, Sink, Fittings & Fixtures

T65W366000-T Without Top, Sink, Fittings & Fixtures

- Work Top:** 1" Thick Black Kemresin
- Work Top Size:** 54" x 242" or 60" x 242"
- Cabinets:** (1) C03W362218- Cupboard Cabinet
(1) C03W362218L Cupboard Cabinet
(2) C03W362236- Cupboard Cabinet
(2) D30W362218- Four Drawer Cabinet
(2) E45W362236- Drawer/Cupboard Cabinet
(2) E45W362236L Drawer/Cupboard Cabinet

- Sink:** (4) **0493-BE** Kemresin Cupsink
5 1/4" H x 4 1/8" D x 13 3/8" L I.D.

- Electric Fittings:** (2) **0657-08** 120 VAC GFI Duplex Two-Sided Double Pedestal

- Fixtures:** (4) **W-0274-VB** Combination Water & Gas

No service piping or electric conduit included.

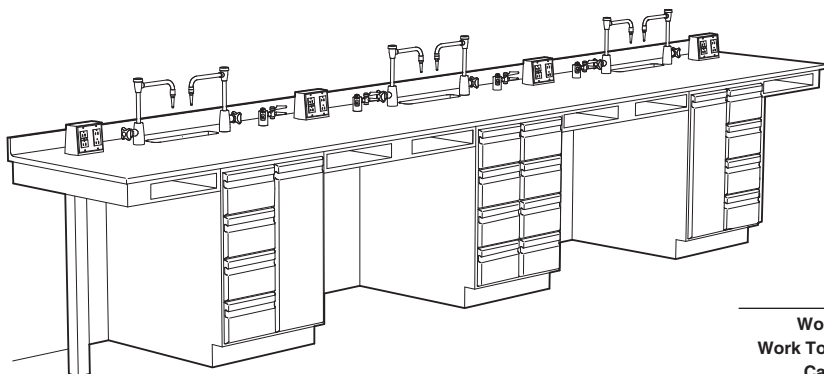
Multi-Student Benches

These multi-student Center Bench and Wall Bench assemblies are typical of the many configurations that can be created from components in this catalog. They are complete with base cabinets, work tops, fittings, fixtures, fillers and base molding.

Note: Last four digits of part number designates drawer head style, hinge, hardwood species, and pull selection. See page 4 for full explanation. Actual product may vary slightly from catalog illustration due to style and hardware selection.

Six Student Wall Bench Assembly

T67W363100-_____ 36" High x 31" Deep x 192" Long



Work Top: 1" Thick Black Kemresin with 4" High Curb
Work Top Size: 31" x 192"
Cabinets: (1) G90W361624- Drawer/Cupboard Cabinet
 (1) G90W361624L Drawer/Cupboard Cabinet
 (1) G96W361624- Eight Drawer Cabinet

Options:

T67W363100-T_____ Without Top, Sink, Fittings & Fixtures

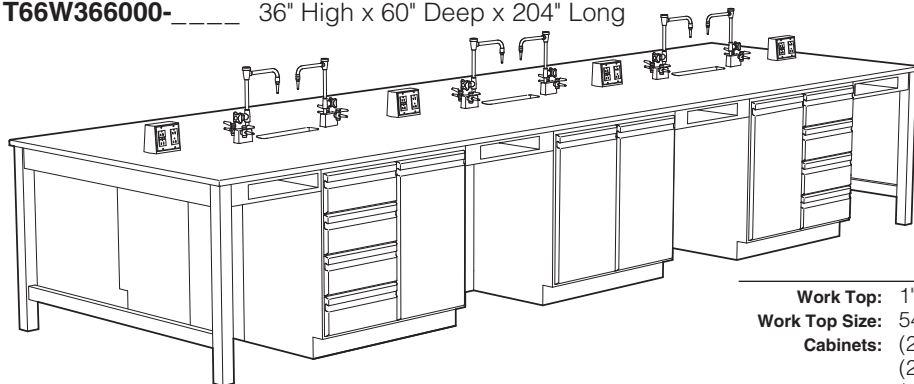
Sink: (3) **0493-BE** Kemresin Cupsink
 5 1/4" H x 4 1/8" D x 13 3/8" L I.D.
Electric Fittings: (4) **0657-07** 120 VAC GFI Duplex
 Double Pedestal
Fixtures: (6) **W-0337-0V** Cold Water
 (4) **W-0263-00** Double Outlet Service Fitting

No service piping or electric conduit included.

Eight Student Center Bench Assembly

T66W365400-_____ 36" High x 54" Deep x 204" Long

T66W366000-_____ 36" High x 60" Deep x 204" Long



Work Top: 1" Thick Black Kemresin
Work Top Size: 54" x 204" or 60" x 204"
Cabinets: (2) E45W362236- Drawer/Cupboard Cabinet
 (2) E45W362236L Drawer/Cupboard Cabinet
 (2) C03W362236- Cupboard Cabinet

Options:

T66W365400-T_____ Without Top, Sink, Fittings & Fixtures

T66W366000-T_____ Without Top, Sink, Fittings & Fixtures

Sink: (3) **0493-BE** Kemresin Cupsink
 5 1/4" H x 4 1/8" D x 13 3/8" L I.D.
Electric Fittings: (4) **0657-08** 120 VAC GFI Duplex
 Two-Sided Double Pedestal
Fixtures: (6) **W-0274-VB** Combination Water & Gas

No service piping or electric conduit included.