

# Wood Multi-Science Tables

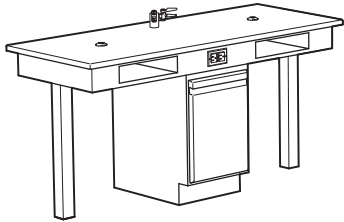
**Sitting Height Multi-Student Tables:**

Six free-standing multi-student tables that can be used for combination of sciences. Designed for laboratories where permanent individual student storage space at the table is not required. Each student is provided with an open book/tote tray storage area at his seat. All tables include

cupboard space to store equipment. Cupboard includes one F-5320 Tote Tray (12" x 14" x 4"). Available in 2, 4, 6, 8 or 12 student designs. Tables include work tops, service access panels, leg assemblies, base molding and molding corner guards, etc. Steel strap sink supports included with sinks.

**Note:** Last four digits of part number designates drawer head style, hinge, hardwood species, and pull selection. See page 4 for full explanation. Actual product may vary slightly from catalog illustration due to style and hardware selection.

**24" Deep Single Sided Tables**



**Options:**

**T44W312460-T** \_\_\_\_\_ Without Top, Sink, Fittings & Fixtures

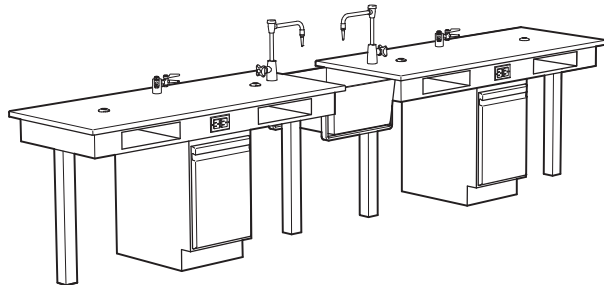
**Two Student Table**

**T44W312460-** \_\_\_\_\_ 31" High x 24" Deep x 60" Long

- Work Top:** 1" Thick Black Kemresin
- Cabinets:** (1) G75W242214-\_\_\_\_\_ Cupboard Cabinet with Tote Tray

- Electric Fixtures:** (2) **0656-01** 120 VAC GFI Duplex Receptacle
- Fittings:** (1) **W-0263-00** Double Outlet Service Fitting  
(2) **0548-00** Rod Sockets

**No service piping or electrical conduit included.**



**Options:**

**T45W312400-T** \_\_\_\_\_ Without Top, Sink, Fittings & Fixtures

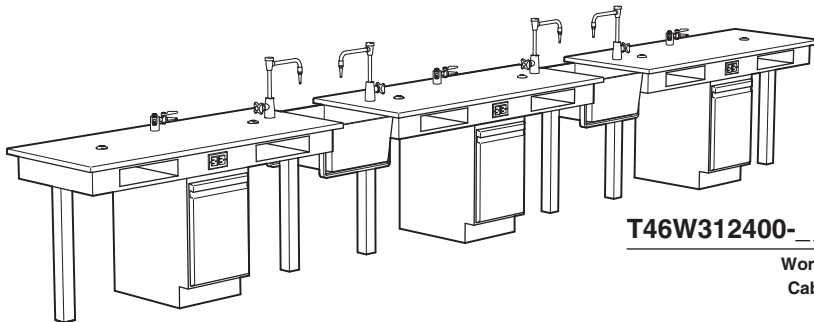
**Four Student Table**

**T45W312400-** \_\_\_\_\_ 31" High x 24" Deep x 134 1/2" Long

- Work Top:** 1" Thick Black Kemresin
- Cabinets:** (2) G75W242214-\_\_\_\_\_ Cupboard Cabinets with Tote Tray

- Sink:** (1) **1006-01** 8" H x 15" D x 18" L I.D.  
(1) **0482-BP** 1 1/2" I.P.S. Sink Outlet
- Electric Fixtures:** (2) **0656-01** 120 VAC GFI Duplex Receptacle
- Fittings:** (2) **W-0337-0V** Cold Water w/VB Gooseneck  
(2) **W-0263-00** Double Outlet Service Fitting  
(4) **0548-00** Rod Sockets

**No service piping or electrical conduit included.**



**Options:**

**T46W312400-T** \_\_\_\_\_ Without Top, Sink, Fittings & Fixtures

**Six Student Table**

**T46W312400-** \_\_\_\_\_ 31" High x 24" Deep x 209" Long

- Work Top:** 1" Thick Black Kemresin
- Cabinets:** (3) G75W242214-\_\_\_\_\_ Cupboard Cabinets with Tote Tray

- Sink:** (2) **1006-01** 8" H x 15" D x 18" L I.D.  
(2) **0482-BP** 1 1/2" I.P.S. Sink Outlet
- Electric Fixtures:** (3) **0656-01** 120 VAC GFI Duplex Receptacle
- Fittings:** (4) **W-0337-0V** Cold Water w/VB Gooseneck  
(3) **W-0263-00** Double Outlet Service Fitting  
(6) **0548-00** Rod Sockets

**No service piping or electrical conduit included.**

# Wood Multi-Science Tables

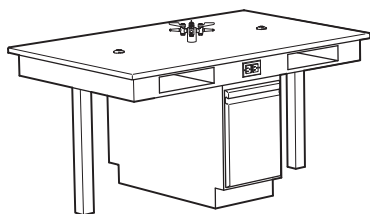
## Sitting Height Multi-Student Tables:

Six free-standing multi-student tables that can be used for combination of sciences. Designed for laboratories where permanent individual student storage space at the table is not required. Each student is provided with an open book/tote tray storage area at his seat. All tables include

cupboard space to store equipment. Cupboard includes one F-5320 Tote Tray (12" x 14" x 4"). Available in 2, 4, 6, 8 or 12 student designs. Tables include work tops, service access panels, leg assemblies, base molding and molding corner guards, etc. Steel strap sink supports included with sinks.

**Note:** Last four digits of part number designates drawer head style, hinge, hardwood species, and pull selection. See page 4 for full explanation. Actual product may vary slightly from catalog illustration due to style and hardware selection.

## 38" Deep Double Sided Tables



### Options:

**T84W313860-T** \_\_\_\_\_ Without Top, Sink, Fittings & Fixtures

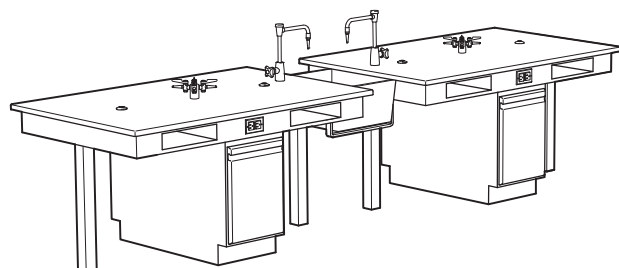
## Four Student Table

**T84W313860-** \_\_\_\_\_ 31" High x 38" Deep x 60" Long

**Work Top:** 1" Thick Black Kemresin  
**Cabinets:** (1) G76W243714-\_\_\_\_\_ Double-sided Cupboard Cabinet with (2) Tote Trays

**Electric Fixtures:** (2) **0656-01** 120 VAC GFI Duplex Receptacle  
**Fittings:** (1) **W-0272-00** Four-way Outlet Service Fitting  
 (2) **0548-00** Rod Sockets

**No service piping or electrical conduit included.**



### Options:

**T85W313800-T** \_\_\_\_\_ Without Top, Sink, Fittings & Fixtures

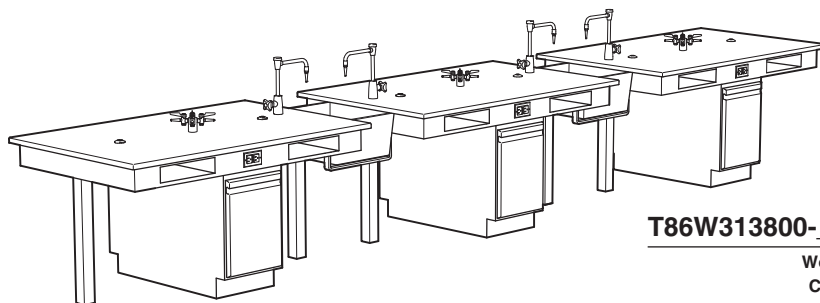
## Eight Student Table

**T85W313800-** \_\_\_\_\_ 31" High x 38" Deep x 134 1/2" Long

**Work Top:** 1" Thick Black Kemresin  
**Cabinets:** (2) G76W243714-\_\_\_\_\_ Double-sided Cupboard Cabinets with (2) Tote Trays

**Sink:** (1) **1006-01** 8" H x 15" D x 18" L I.D.  
 (1) **0482-BP** 1 1/2" I.P.S. Sink Outlet  
**Electric Fixtures:** (4) **0656-01** 120 VAC GFI Duplex Receptacle  
**Fittings:** (2) **W-0337-0V** Cold Water w/VB Gooseneck  
 (2) **W-0272-00** Four-way Outlet Service Fitting  
 (4) **0548-00** Rod Sockets

**No service piping or electrical conduit included.**



### Options:

**T86W313800-T** \_\_\_\_\_ Without Top, Sink, Fittings & Fixtures

## Twelve Student Table

**T86W313800-** \_\_\_\_\_ 31" High x 38" Deep x 209" Long

**Work Top:** 1" Thick Black Kemresin  
**Cabinets:** (3) G76W243714-\_\_\_\_\_ Double-sided Cupboard Cabinet with (2) Tote Trays

**Sink:** (2) **1006-01** 8" H x 15" D x 18" L I.D.  
 (2) **0482-BP** 1 1/2" I.P.S. Sink Outlet  
**Electric Fixtures:** (3) **0656-01** 120 VAC GFI Duplex Receptacle  
**Fittings:** (4) **W-0337-0V** Cold Water w/VB Gooseneck  
 (3) **W-0272-00** Four-way Outlet Service Fitting  
 (6) **0548-00** Rod Sockets

**No service piping or electrical conduit included.**

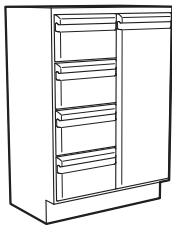
# Wood Multi-Science Student Table Assemblies

Four single-sided tables designed especially for the teaching laboratory. Create your own custom storage arrangement by selecting one of the four cabinets shown below. Each one offers you a different combination of storage space. Multi-science student tables offer each student work top space and a book/tote tray storage

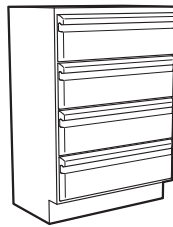
compartment. The top is 1" black epoxy resin. Tables come complete with filler panels, finished backs, sink supports, base molding, molding corner guards, etc. To specify the 16" deep base cabinet you want, insert the cabinet's two digit code number into the assembly catalog number. Example: T40W363093-3015

**Note:** Last four digits of part number designates drawer head style, hinge, hardwood species, and pull selection. See page 4 for full explanation. Actual product may vary slightly from catalog illustration due to style and hardware selection.

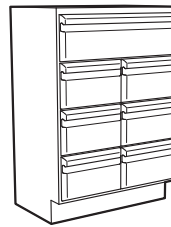
## Cabinet Options



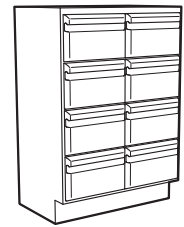
**G90W361624-**\_\_\_\_ 24" L  
Two Digit Code **90**



**G93W361624- 0**\_\_\_\_ 24" L  
Two Digit Code **93**

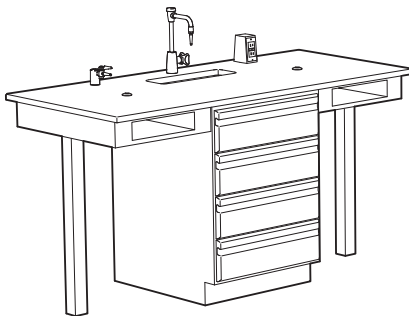


**G95W361624- 0**\_\_\_\_ 24" L  
Two Digit Code **95**



**G96W361624- 0**\_\_\_\_ 24" L  
Two Digit Code **96**

## 30" Deep Single-Sided Tables



**T40W363093-3015**  
shown with G93W361624-3015

**T40W3630** -\_\_\_\_ 36" High x 30" Deep x 66" Long

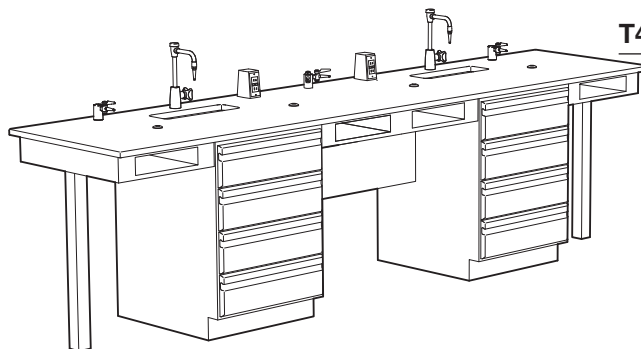
**Work Top:** 1" Thick Black Kemresin  
**Cabinets:** (1) 35" H x 16" D x 24" L (as specified)

- Sink:** (1) **1011-00** 6" H x 6 1/2" W x 18" L I.D.  
(1) **0482-BP** 1 1/2" I.P.S. Sink Outlet  
**Electric Fixtures:** (1) **0656-02** 120 VAC GFI Duplex Pedestal  
**Fittings:** (1) **W-0337-6V** Cold Water w/VB Gooseneck  
(1) **W-0260-00** Single Outlet Service Fitting  
(2) **0548-00** Rod Sockets

No service piping or electrical conduit included.

### Options:

**T40W3630** -**T**\_\_\_\_ Without Top, Sink, Fittings & Fixtures



**T48W363093-3015**  
shown with G93W361624-3015

**T48W3630** -\_\_\_\_ 36" High x 30" Deep x 129" Long

**Work Top:** 1" Thick Black Kemresin  
**Cabinets:** (2) 35" H x 16" D x 24" L (as specified)

- Sink:** (2) **1011-00** 6" H x 6 1/2" W x 18" L I.D.  
(2) **0482-BP** 1 1/2" I.P.S. Sink Outlet  
**Electric Fixtures:** (2) **0656-02** 120 VAC GFI Duplex Pedestal  
**Fittings:** (2) **W-0337-6V** Cold Water w/VB Gooseneck  
(2) **W-0260-00** Single Outlet Service Fitting  
(1) **W-0263-00** Double Outlet Service Fitting  
(4) **0548-00** Rod Sockets

No service piping or electrical conduit included.

### Options:

**T48W3630** -**T**\_\_\_\_ Without Top, Sink, Fittings & Fixtures

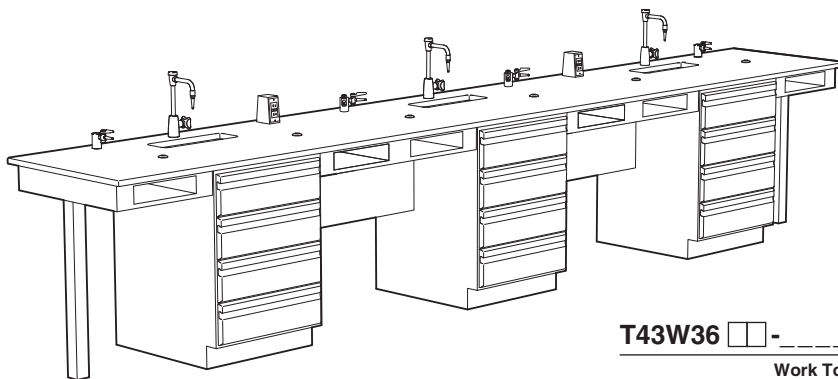
# Wood Multi-Science Student Table Assemblies

Four single-sided tables designed especially for the teaching laboratory. Create your own custom storage arrangement by selecting one of the four cabinets shown below. Each one offers you a different combination of storage space. Multi-science student tables offer each student work top space and a book/tote tray storage

compartment. The top is 1" black epoxy resin. Tables come complete with filler panels, finished backs, sink supports, base molding, molding corner guards, etc. To specify the 16" deep base cabinet you want, insert the cabinet's two digit code number into the assembly catalog number. Example: T40W363093-3015

**Note:** Last four digits of part number designates drawer head style, hinge, hardwood species, and pull selection. See page 4 for full explanation. Actual product may vary slightly from catalog illustration due to style and hardware selection.

## 30" Deep Single-Sided Tables



**T43W363093-3015**  
shown with G93W361624-3015

**T43W36**   - \_\_\_\_\_ **Six Student Table**  
36" High x 30" Deep x 192" Long

**Work Top:** 1" Thick Black Kemresin  
**Cabinets:** (3) 34<sup>3</sup>/<sub>4</sub>" H x 16" D x 24" L (as specified)

**Sink:** (3) **1011-00** 6" H x 6<sup>1</sup>/<sub>2</sub>" W x 18" L I.D.  
(3) **0482-BP** 1<sup>1</sup>/<sub>2</sub>" I.P.S. Sink Outlet

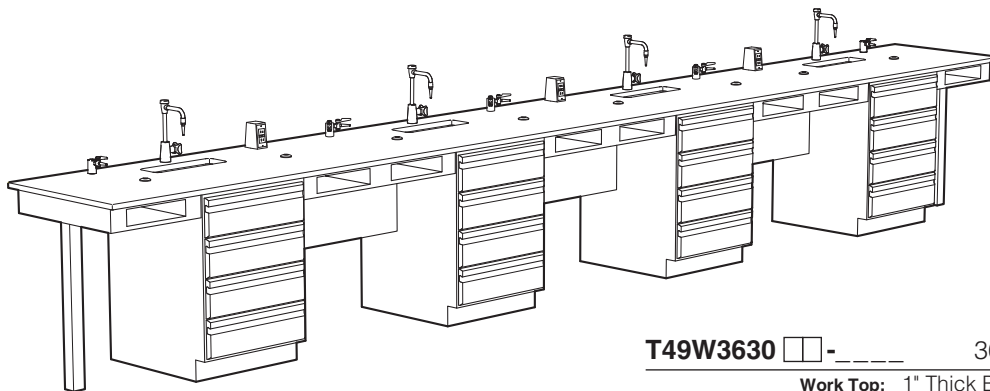
**Electric Fixtures:** (2) **0656-02** 120 VAC GFI Duplex Pedestal

**Fittings:** (3) **W-0337-6V** Cold Water w/VB Gooseneck  
(2) **W-0260-00** Single Outlet Service Fitting  
(2) **W-0263-00** Double Outlet Service Fitting  
(6) **0548-00** Rod Sockets

### Options:

**T43W3630**   -T\_\_\_\_\_ Without Top, Sink, Fittings & Fixtures

**No service piping or electrical conduit included.**



**T49W363093-3015**  
shown with G93W361624-3015

**T49W3630**   - \_\_\_\_\_ **Eight Student Table**  
36" High x 30" Deep x 254" Long

**Work Top:** 1" Thick Black Kemresin  
**Cabinets:** (4) 35" H x 16" D x 24" L (as specified)

**Sink:** (4) **1011-00** 6" H x 6<sup>1</sup>/<sub>2</sub>" W x 18" L I.D.  
(4) **0482-BP** 1<sup>1</sup>/<sub>2</sub>" I.P.S. Sink Outlet

**Electric Fixtures:** (3) **0656-02** 120 VAC GFI Duplex Pedestal

**Fittings:** (4) **W-0337-6V** Cold Water w/VB Gooseneck  
(2) **W-0260-00** Single Outlet Service Fitting  
(3) **W-0263-00** Double Outlet Service Fitting  
(8) **0548-00** Rod Sockets

### Options:

**T49W3630**   -T\_\_\_\_\_ Without Top, Sink, Fittings & Fixtures

**No service piping or electrical conduit included.**

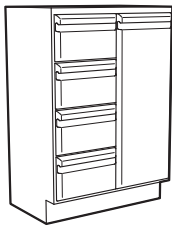
# Wood Multi-Science Student Table Assemblies

Four double-sided tables designed especially for the teaching laboratory. Create your own custom storage arrangement by selecting one of the four cabinets shown below. Each one offers you a different combination of storage space. Multi-science student tables offer each student work top space and a book/tote tray storage

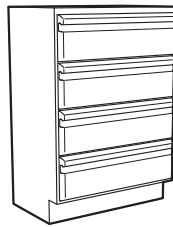
compartment. The top is 1" black epoxy resin. Tables come complete with filler panels, finished backs, sink supports, base molding, molding corner guards, etc. To specify the 16" deep base cabinet you want, insert the cabinet's two digit code number into the assembly catalog number. Example: T80W364995-3015

**Note:** Last four digits of part number designates drawer head style, hinge, hardwood species, and pull selection. See page 4 for full explanation. Actual product may vary slightly from catalog illustration due to style and hardware selection.

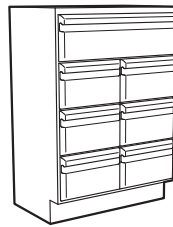
## Cabinet Options



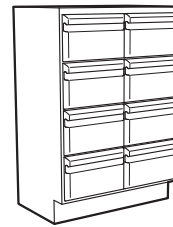
**G90W361624-**\_\_\_\_ 24" L  
Two Digit Code **90**



**G93W361624- 0**\_\_\_\_ 24" L  
Two Digit Code **93**

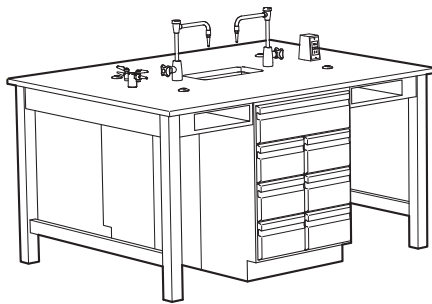


**G95W361624- 0**\_\_\_\_ 24" L  
Two Digit Code **95**



**G96W361624- 0**\_\_\_\_ 24" L  
Two Digit Code **96**

## 49" Deep Double-Sided Tables



**T80W364995-3015**  
shown with G95W361624-3015

**Four Student Table**  
**T80W3649**  - \_\_\_\_\_ 36" High x 49" Deep x 66" Long

**Work Top:** 1" Thick Black Kemresin  
**Cabinets:** (2) 35" H x 16" D x 24" L (as specified)

- Sink:** (1) **1001-00** 7" H x 8" W x 16" L I.D.  
(1) **0482-00** 1 1/2" I.P.S. Sink Outlet  
**Electric Fixtures:** (1) **0656-03** 120 VAC GFI Duplex Pedestal  
**Fittings:** (2) **W-0337-0V** Cold Water w/VB Gooseneck  
(1) **W-0266-00** Double Outlet Service Fitting  
(4) **0548-00** Rod Sockets

No service piping or electrical conduit included.

### Options:

**T80W3649**  - **T** \_\_\_\_\_ Without Top, Sink, Fittings & Fixtures

## Eight Student Table

**T81W3649**  - \_\_\_\_\_ 36" High x 49" Deep x 129" Long

**Work Top:** 1" Thick Black Kemresin  
**Cabinets:** (4) 35" H x 16" D x 24" L (as specified)

- Sink:** (2) **1001-00** 7" H x 8" W x 16" L I.D.  
(2) **0482-BP** 1 1/2" I.P.S. Sink Outlet  
**Electric Fixtures:** (2) **0656-0** 120 VAC GFI Duplex Pedestal  
**Fittings:** (4) **W-0337-00** Cold Water w/VB Gooseneck  
(2) **W-0266-00** Double Outlet Service Fitting  
(1) **W-0272-00** Four-way Outlet Service Fitting  
(8) **0548-00** Rod Sockets

No service piping or electrical conduit included.

### Options:

**T81W3649**  - **T** \_\_\_\_\_ Without Top, Sink, Fittings & Fixtures

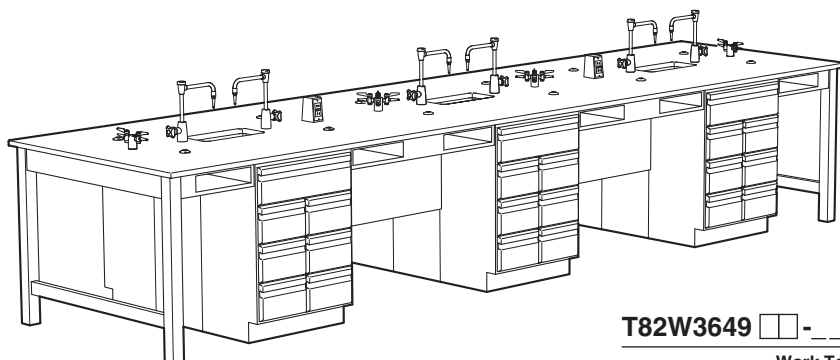
# Wood Multi-Science Student Table Assemblies

Four double-sided tables designed especially for the teaching laboratory. Create your own custom storage arrangement by selecting one of the four cabinets shown below. Each one offers you a different combination of storage space. Multi-science student tables offer each student work top space and a book/tote tray storage

compartment. The top is 1" black epoxy resin. Tables come complete with filler panels, finished backs, sink supports, base molding, molding corner guards, etc. To specify the 16" deep base cabinet you want, insert the cabinet's two digit code number into the assembly catalog number. Example: T80W364995-3015

**Note:** Last four digits of part number designates drawer head style, hinge, hardwood species, and pull selection. See page 4 for full explanation. Actual product may vary slightly from catalog illustration due to style and hardware selection.

## 49" Deep Double-Sided Tables



**T82W364995-3015**  
 shown with G95W361624-3015

**T82W3649**  - \_\_\_\_\_ **Twelve Student Table**  
 36" High x 49" Deep x 192" Long

**Work Top:** 1" Thick Black Kemresin  
**Cabinets:** (6) 35" H x 16" D x 24" L (as specified)

**Sink:** (3) **1001-00** 7" H x 8" W x 16" L I.D.  
 (3) **0482-BP** 1 1/2" I.P.S. Sink Outlet

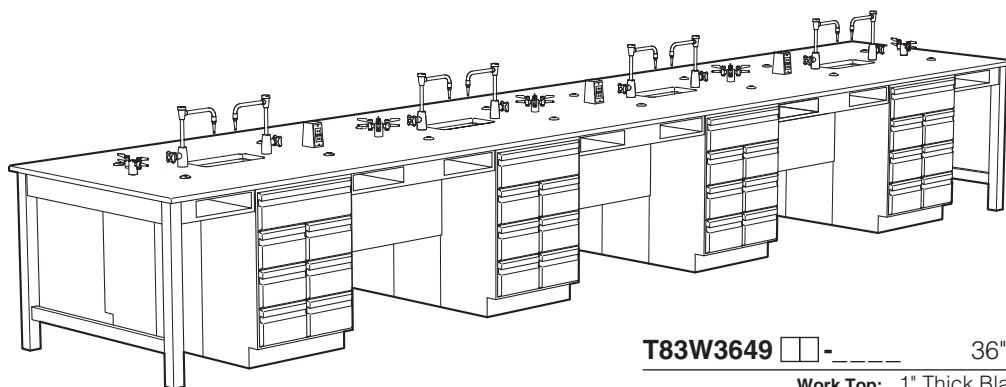
**Electric Fixtures:** (2) **0656-03** 120 VAC GFI Duplex Pedestal

**Fittings:** (6) **W-0337-0V** Cold Water w/VB Gooseneck  
 (2) **W-0266-00** Double Outlet Service Fitting  
 (2) **W-0272-00** Four-way Outlet Service Fitting  
 (12) **0548-00** Rod Sockets

### Options:

**T82W3649**  - **T** \_\_\_\_\_ Without Top, Sink, Fittings & Fixtures

**No service piping or electrical conduit included.**



**T83W364995-3015**  
 shown with G95W361624-3015

**T83W3649**  - \_\_\_\_\_ **Sixteen Student Table**  
 36" High x 49" Deep x 254" Long

**Work Top:** 1" Thick Black Kemresin  
**Cabinets:** (8) 35" H x 16" D x 24" L (as specified)

**Sink:** (4) **1001-00** 7" H x 8" W x 16" L I.D.  
 (4) **0482-BP** 1 1/2" I.P.S. Sink Outlet

**Electric Fixtures:** (3) **0656-03** 120 VAC GFI Duplex Pedestal

**Fittings:** (8) **W-0337-0V** Cold Water w/VB Gooseneck  
 (2) **W-0266-00** Double Outlet Service Fitting  
 (3) **W-0272-00** Four-way Outlet Service Fitting  
 (16) **0548-00** Rod Sockets

### Options:

**T83W3649**  - **T** \_\_\_\_\_ Without Top, Sink, Fittings & Fixtures

**No service piping or electrical conduit included.**