

# Wood Perimeter Student Table Assemblies

Perimeter Student Tables are ideally suited for the teaching laboratory. You select the exact combination of storage space you need for your students.

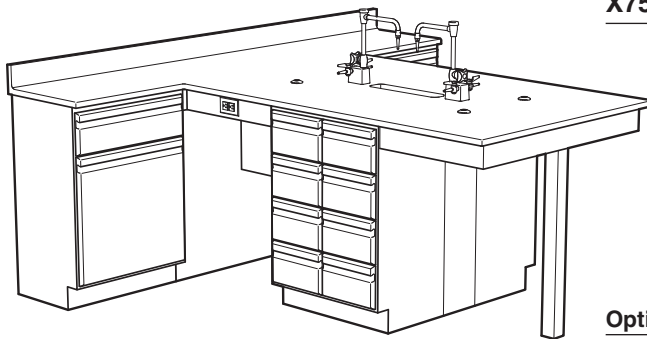
The X75 Assembly is furnished with two pair of 16" deep x 24" long cabinets. one pair at the wall and the

other under the peninsula. The X80 Assembly is the same, except 16" deep x 36" long cabinets are furnished under the peninsula.

To specify the 16" deep base cabinets you want, insert the cabinet's two digit code number into the assembly catalog number.

**Note:** Last four digits of part number designates drawer head style, hinge, hardwood species, and pull selection. See page 4 for full explanation. Actual product may vary slightly from catalog illustration due to style and hardware selection.

## Perimeter Student Tables



**X75W369295-3015**

Shown with G92W361624-3015 at wall and G95W361624-3015 under peninsula.

**X75W36** -\_\_\_\_ 36" High x 84" Deep x 90" Long

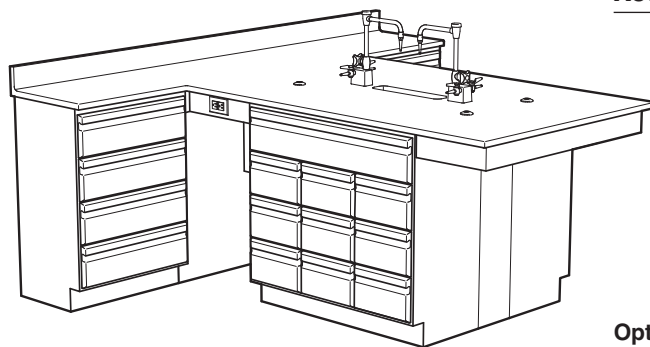
**Work Top:** 1" Thick Black Kemresin with 4" High Curb  
**Work Top Size:** 18" x 90" Wall Bench — 42" x 66" Peninsula  
**Cabinets:** 2 pair – 35" High x 16" Deep x 24" Long

**Sink:** (1) **1011-00** 6" H x 18" L x 6 1/2" W  
(1) **0482-BP** 1 1/2" I.P.S. Sink Outlet  
**Electric Fixtures:** (2) **0656-01** 120 VAC GFI Duplex Receptacle  
**Fittings:** (2) **W-0274-VB** Combination Water & Gas  
(4) **0548-00** Rod Sockets

**No service piping or electric conduit included.**

**Options:**

**X75W36** -T\_\_\_\_ Without Work Top, Sink, Fittings & Fixtures



**X80W369398-3015**

Shown with G93W361624-3015 at wall and G98W361636-3015 under peninsula.

**X80W36** -\_\_\_\_ 36" High x 84" Deep x 90" Long

**Work Top:** 1" Thick Black Kemresin with 4" High Curb  
**Work Top Size:** 18" x 90" Wall Bench — 42" x 66" Peninsula  
**Cabinets:** 1 pair – 35" High x 16" Deep x 24" Long  
**Cabinets:** 1 pair – 35" High x 16" Deep x 36" Long

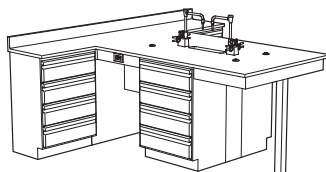
**Sink:** (1) **1011-00** 6" H x 18" L x 6 1/2" W  
(1) **0482-BP** 1 1/2" I.P.S. Sink Outlet  
**Electric Fixtures:** (2) **0656-01** 120 VAC GFI Duplex Receptacle  
**Fittings:** (2) **W-0274-VB** Combination Water & Gas  
(4) **0548-00** Rod Sockets

**No service piping or electric conduit included.**

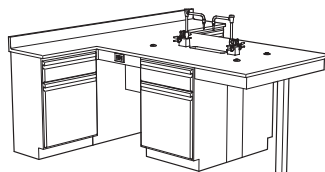
**Options:**

**X80W36** -T\_\_\_\_ Without Work Top, Sink, Fittings & Fixtures

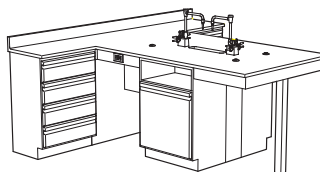
## General Science-Biology



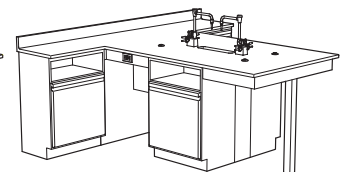
**X75W369293-**



**X75W369292-**



**X75W369394-**



**X75W369494-**

# Wood Perimeter Student Table Assemblies

Each Perimeter Student Table is furnished complete with 1" thick epoxy resin top with 4" high curb, filler panels, scribe strips, sink supports, base molding and molding corner guards.

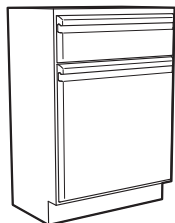
Illustrated at the bottom of these pages are examples of only some of

the perimeter tables you can create. Any combination of the cabinets shown below may be used.

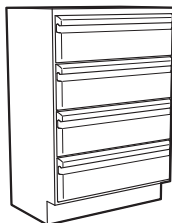
**Note:** All cabinets are furnished in pairs. 24" long cupboard cabinets are furnished with one left hand door swing and one right hand.

**Note:** Last four digits of part number designates drawer head style, hinge, hardwood species, and pull selection. See page 4 for full explanation. Actual product may vary slightly from catalog illustration due to style and hardware selection.

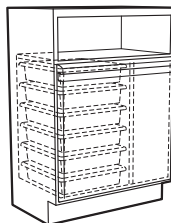
## Perimeter Student Table - Cabinet Options (Nominal 16" Deep)



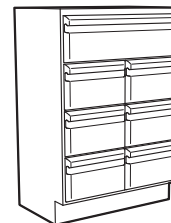
**G92W361624-** \_\_\_\_\_ 24" L  
Two Digit Code **92**



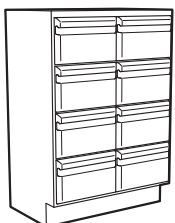
**G93W361624-** \_\_\_\_\_ 24" L  
Two Digit Code **93**



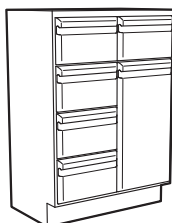
**G94W361624-** \_\_\_\_\_ 24" L  
Two Digit Code **94**  
Provided with six OP-6140 Tote Trays



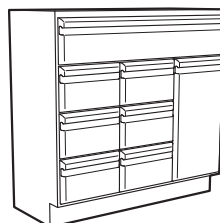
**G95W361624-** \_\_\_\_\_ 24" L  
Two Digit Code **95**



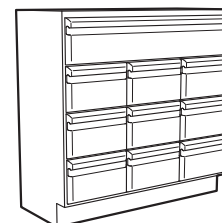
**G96W361624-** \_\_\_\_\_ 24" L  
Two Digit Code **96**



**G99W361624-** \_\_\_\_\_ 24" L  
Two Digit Code **99**

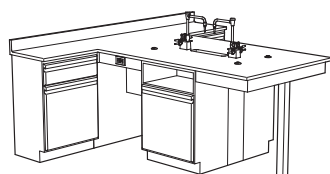


**G97W361624-** \_\_\_\_\_ 24" L  
Two Digit Code **97**

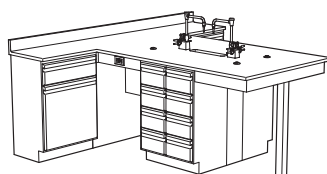


**G98W361624-** \_\_\_\_\_ 24" L  
Two Digit Code **98**

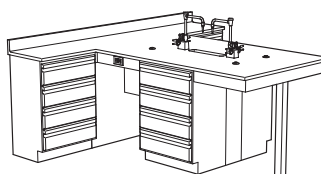
## Chemistry-Physics



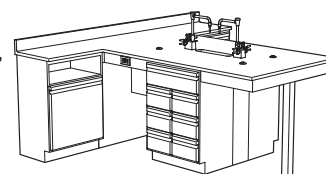
**X75W369294-**



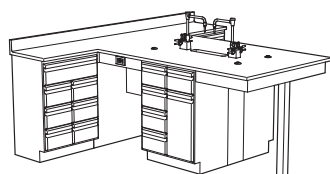
**X75W369296-**



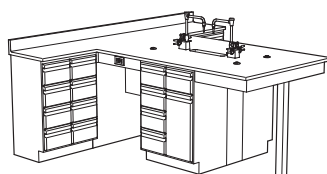
**X75W369393-**



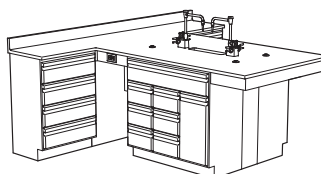
**X75W369495-**



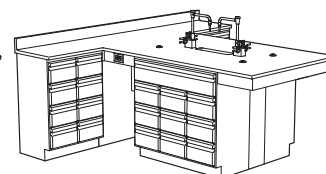
**X75W369599-**



**X75W369699-**



**X80W369397-**



**X80W369698-**

# Wood Wall Service Bench

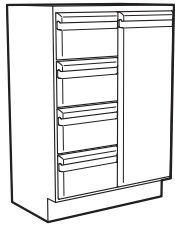
A unique design offers you maximum flexibility. Combine this wall service bench with two 21" utility tables. They form a 42" deep perimeter table assembly for conducting experiments. Relocate the utility tables to provide desk top space for lecture periods. Choose one pair of the 16" deep

base cabinets as shown below under the wall service bench to obtain the exact storage space your students will need.

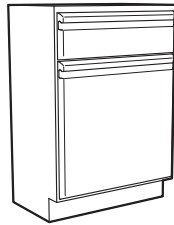
To specify the 16" deep base cabinets you want, insert the cabinet's two digit code number into the assembly catalog number.

**Note:** Last four digits of part number designates drawer head style, hinge, hardwood species, and pull selection. See page 4 for full explanation. Actual product may vary slightly from catalog illustration due to style and hardware selection.

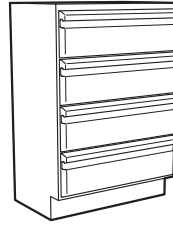
## Wall Service Bench - Cabinet Options (Nominal 16" Deep)



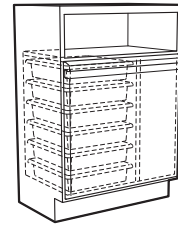
**G90W361624-** \_\_\_\_\_ 24" L  
Two Digit Code **90**



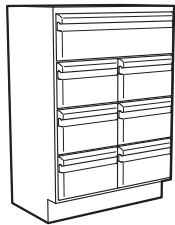
**G92W361624-** \_\_\_\_\_ 24" L  
Two Digit Code **92**



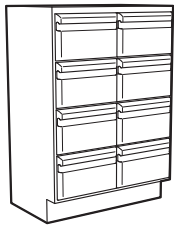
**G93W361624-** \_\_\_\_\_ 24" L  
Two Digit Code **93**



**G94W361624-** \_\_\_\_\_ 24" L  
Two Digit Code **94**  
Provided with six  
OP-6140 Tote Trays

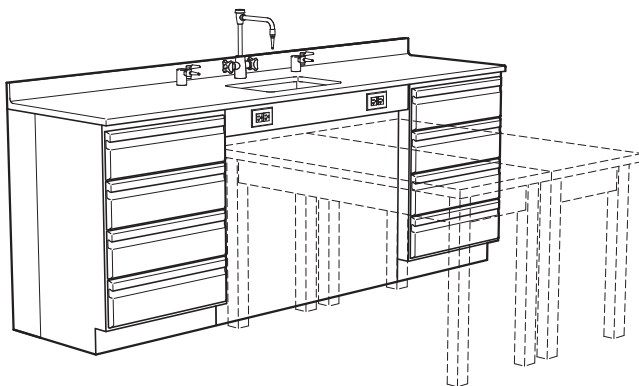


**G95W361624-** \_\_\_\_\_ 24" L  
Two Digit Code **95**



**G96W361624-** \_\_\_\_\_ 24" L  
Two Digit Code **96**

## Wall Service Bench



**T39W3624**  - \_\_\_\_\_ 36" High x 24" Deep x 90" Long

**Work Top:** 1" Thick Black Kemresin

**Cabinets:** (1 pair) 35" H x 16" D x 24" L (as specified)

**Sink:** (1) **1008-00** 8" H x 12" W x 16" L I.D.

(1) **0482-BP** 1 1/2" I.P.S. Sink Outlet

**Electric Fixtures:** (2) **0656-01** 120 VAC GFI Duplex Receptacle

**Fittings:** (1) **W-0340-0V** H & C Water w/VB Gooseneck

(2) **W-0260-00** Single Outlet Service Fitting

**No service piping or electrical conduit included.**

**Options:**

**T39W3624**  - **T** \_\_\_\_\_ Without Top, Sink, Fittings & Fixtures

# Wood Wall & Island Service Benches

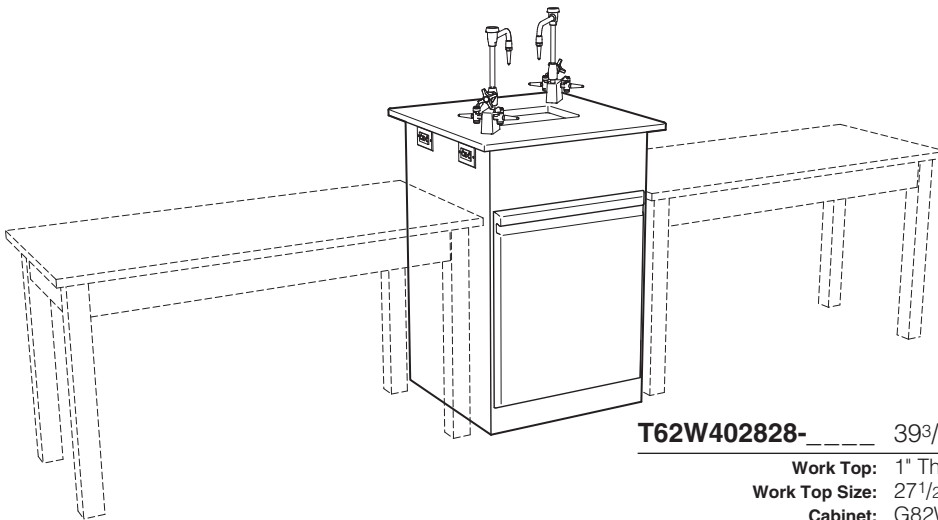
The **Island Service Bench** and the **Wall Service Bench** are two additional designs combining a fixed location service module with movable utility tables. The Island Service Bench can accommodate up to four, 24" deep tables, while the Wall Service Bench can handle three.

Scribes, sink supports, base molding and corner clips are included with each bench assembly.

**Order Utility Tables Separately.**

**Note:** Last four digits of part number designates drawer head style, hinge, hardwood species, and pull selection. See page 4 for full explanation. Actual product may vary slightly from catalog illustration due to style and hardware selection.

## Island Service Bench



**T62W402828-**\_\_\_\_\_ 39<sup>3</sup>/<sub>4</sub>" High x 27<sup>1</sup>/<sub>2</sub>" Deep x 27<sup>1</sup>/<sub>2</sub>" Long

**Work Top:** 1" Thick Black Kemresin

**Work Top Size:** 27<sup>1</sup>/<sub>2</sub>" x 27<sup>1</sup>/<sub>2</sub>"

**Cabinet:** G82W402424-\_\_\_\_\_ 38<sup>3</sup>/<sub>4</sub>" H x 24" D x 24" L  
(finished all four sides)

**Sink:** (1) **1000-00** 6" H x 10" W x 14" L I.D.

(1) **0482-BP** 1<sup>1</sup>/<sub>2</sub>" I.P.S. Sink Outlet

**Electric Fixtures:** (4) **0656-01** 120 VAC GFI Duplex Receptacle

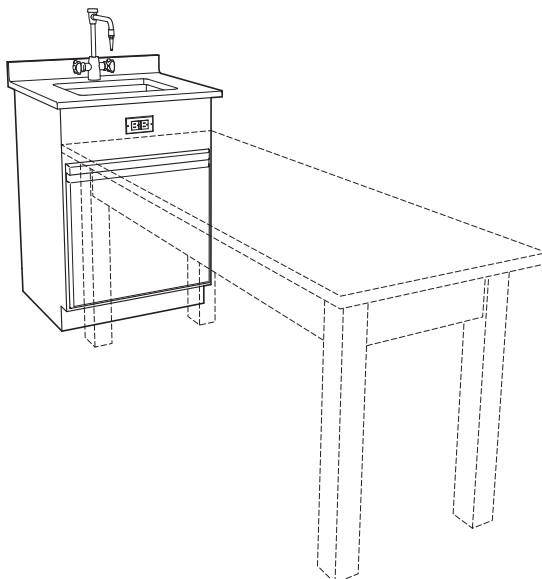
**Fittings:** (2) **W-0274-VB** Combination Water & Gas

### Options:

**T62W402828-T**\_\_\_\_\_ Without Top, Sink, Fittings & Fixtures

**No service piping or electrical conduit included.**

## Wall Service Bench



**T63W362426-**\_\_\_\_\_ 36" High x 24" Deep x 26" Long

**Work Top:** 1" Thick Black Kemresin with 4" High Curb

**Work Top Size:** 24" W x 26" L

**Cabinet:** (1) G02W362224- Sink Cabinet

**Sink:** (1) **1003-00** 11" H x 15" W x 18" L I.D.

(1) **0482-BP** 1<sup>1</sup>/<sub>2</sub>" I.P.S. Sink Outlet

**Electric Fixtures:** (1) **0656-01** 120 VAC GFI Duplex Receptacle

**Fittings:** (1) **W-0340-0V** H & C Water VB Gooseneck

**No service piping or electrical conduit included.**

### Options:

**T63W362426-T**\_\_\_\_\_ Without Top, Sink, Fittings & Fixtures