

Wood Titration Benches

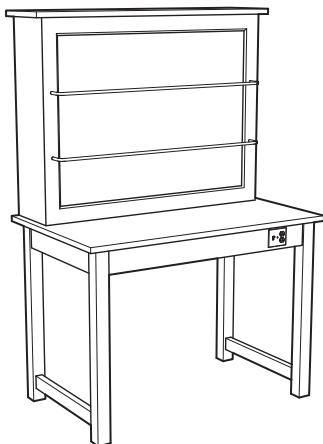
Titration Benches are provided with a 1" thick work top with a white reflective surface. The superstructure face panels are 1/4" thick white translucent plexiglass with fluorescent light fixtures mounted inside for illumination. The interior of the superstructure, except the face panel, is finished gloss

white. Titration Benches are available mounted either on table legs or a sink cabinet. Filler panels, base molding and corner clips are included.

Demonstration Mirror may be mounted above or below the ceiling using the built-in corner brackets or

threaded rods (not included). The motor box is constructed of Red Oak veneer plywood and houses the equipment that raises and lowers the mirror. Operation is controlled by a remote Control Box furnished complete with a 20 foot cord.

Wood Titration Benches

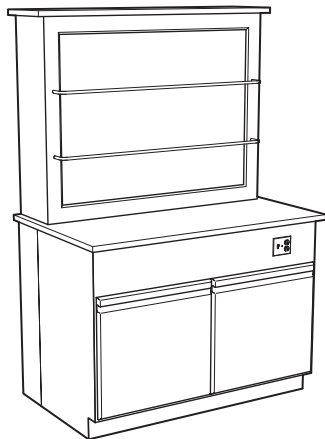


T87W733150-00_0 73" High x 31" Deep x 50" Long

Work Top: 1/4" White Structural Glass on 3/4" plywood base
Work Top Size: 1" x 31" x 50"
Table: A38W052847-00_0 35" H x 28" D x 47" L
Light Cabinet: W01W361249-00_0 36" H x 12" D x 47" L

Electric Fixtures: (1) **0588-06** Light Switch & Duplex Receptacle
 (2) 36" Long Fluorescent Light Fixture
 (Lamps not included)

No service piping or electrical conduit included.



T88W733150-_____ 72³/₄" High x 31" Deep x 50" Long

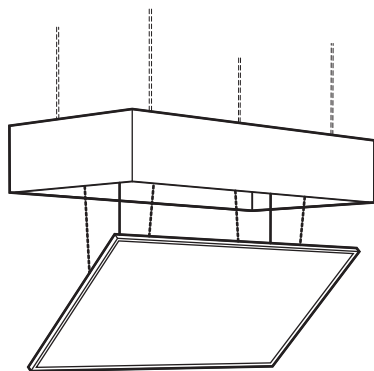
Work Top: 1/4" White Structural Glass on 3/4" plywood base
Work Top Size: 1" x 31" x 50"
Base Cabinet: G06W362248-_____ 35" H x 21¹/₄" D x 48" L
Light Cabinet: W01W361249-00_0 36" H x 12" D x 47" L

Electric Fixtures: (1) **0588-06** Light Switch & Duplex Receptacle
 (2) 36" Long Fluorescent Light Fixture
 (Lamps not included)

No service piping or electrical conduit included.

Note: Last four digits of part number designates drawer head style, hinge, hardwood species, and pull selection. See page 4 for full explanation. Actual product may vary slightly from catalog illustration due to style and hardware selection.

Demonstration Mirror



F-5333-00 12³/₄" High x 31⁷/₈" Deep x 64" Long

Mirror: Silverback Float Glass on 3/4" Oak Plywood
Size: 31⁷/₈" Wide x 64" Long
Suspension: Adjustable Chains and Cable

Motor Box: 3/4" Red Oak Veneer Plywood
Size: 11⁷/₈" High 31⁷/₈" Wide x 64" Long

Mounting: 3/8" Thread Rod (not included) or Corner Brackets
Controls: Mirror Up/Mirror Down

Control Box: 3³/₄" x 3³/₄" x 3¹/₂" on 20 foot seven-wire cord
Power Required: 120 Volt AC

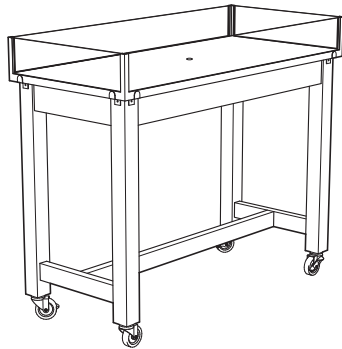
Germinating Beds

Germinating Beds are constructed with a heavy angle iron frame, a 1/2" thick PVC bottom and 1/4" thick plate glass with ground edges. A center 1/2" drain with shut-off valve is provided in the bottom. They are 22" deep, with 6" high sides and are either 48" or 72" long.

These Germinating Beds are available either with or without a mobile wood understructure. The mobile beds are mounted on a 4 1/2" high apron assembly with 2 1/2" square legs. Four 3" diameter casters with brakes are provided for mobility.

Note: Last four digits of part number designates drawer head style, hinge, hardwood species, and pull selection. See page 4 for full explanation. Actual product may vary slightly from catalog illustration due to style and hardware selection.

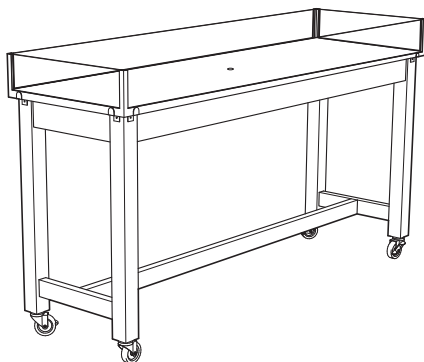
Germination Beds



T75W412248-00_0 41" High x 22" Deep x 48" Long

Germinating Bed: 6" High x 22" Deep x 48" Long
Bottom: 1/2" Thick PVC
Sides: 1/4" Thick Polished Plate Glass
Table: 35" High x 20" Deep x 46" Long

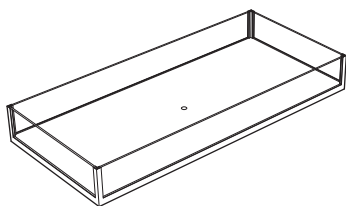
Fittings: 1/2" I.P.S. Drain with Shut-off Valve



T75W412272-00_0 41" High x 22" Deep x 72" Long

Germinating Bed: 6" High x 22" Deep x 72" Long
Bottom: 1/2" Thick PVC
Sides: 1/4" Thick Polished Plate Glass
Table: 35" High x 20" Deep x 70" Long

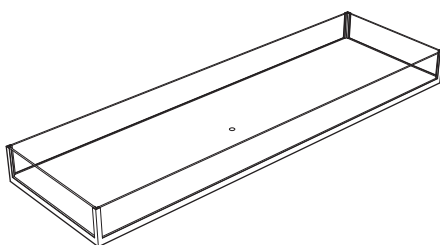
Fittings: 1/2" I.P.S. Drain with Shut-off Valve



OP-6158 6" High x 22" Deep x 48" Long

Germinating Bed: 6" High x 22" Deep x 48" Long
Bottom: 1/2" Thick PVC
Sides: 1/4" Thick Polished Plate Glass

Fittings: 1/2" I.P.S. Drain with Shut-off Valve



OP-6159 6" High x 22" Deep x 72" Long

Germinating Bed: 6" High x 22" Deep x 72" Long
Bottom: 1/2" Thick PVC
Sides: 1/4" Thick Polished Plate Glass

Fittings: 1/2" I.P.S. Drain with Shut-off Valve

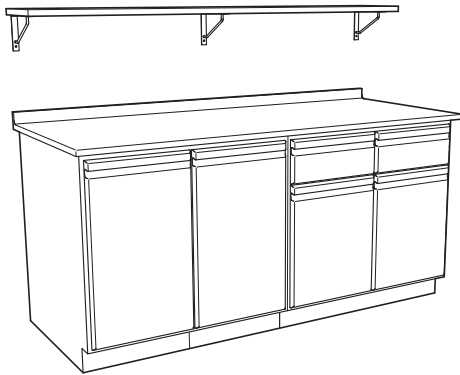
Potting Bench and Aquariums

The **Potting Bench** incorporates two tilting soil bin cabinets and a drawer /cupboard cabinet for storage of potting tools and empty pots. The work top, 2" high curb and 12" deep shelf are all 1" thick edge grain maple. Shelf brackets, scribes and base molding complete the assembly.

Aquariums are constructed of heavy angle iron frames with polished stainless steel top angles. The 1" thick slate bottom and 1/4" polished plate glass sides are sealed with a permanently pliable, non-toxic glazing cement. The aquariums are mounted on a wood apron assembly.

Note: Last four digits of part number designates drawer head style, hinge, hardwood species, and pull selection. See page 4 for full explanation. Actual product may vary slightly from catalog illustration due to style and hardware selection.

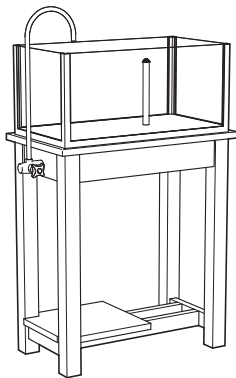
Potting Bench



T77W362474-_____ 36" High x 24" Deep x 74" Long

Work Top: 1" Thick Maple with 2" High Curb – 24" x 74"
Wall Shelf: 1" Thick Maple – 12" x 74"
Cabinets: (2) G41W362218- Tilting Bin Cabinet
 (1) E 41W362236- Drawer/Cupboard Cabinet
Misc: (3) M-0031-0A Shelf Brackets

Aquariums

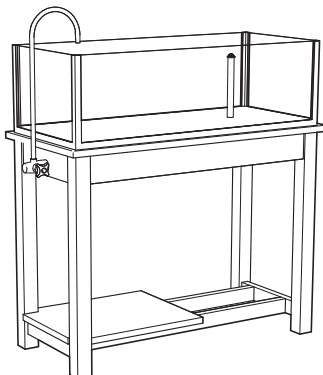


T78W501832-00_0 50" High x 18" Deep x 32" Long

Aquarium: 25 Gallon – 14" H x 16" D x 30" L
Table: A37W051630-00_0 35" H x 16" D x 30" L

Electric Fixtures: (1) **0656-01** 120 VAC GFI Duplex Receptacle
Fittings: (1) Cold Water w/High-Rise Gooseneck
 (1) 1 1/2" I.P.S. Outlet with Overflow

No service piping or electrical conduit included.



T78W502250-00_0 50" High x 22" Deep x 50" Long

Aquarium: 50 Gallon – 14" H x 20" D x 48" L
Table: A37W052048-00_0 35" H x 20" D x 48" L

Electric Fixtures: (1) **0656-01** 120 VAC GFI Duplex Receptacle
Fittings: (1) Cold Water w/High-Rise Gooseneck
 (1) 1 1/2" I.P.S. Outlet with Overflow

No service piping or electrical conduit included.