

# Installation Instructions

---

# Supreme Air **DYNAMIC BARRIER** Bench Fume Hood

# H50

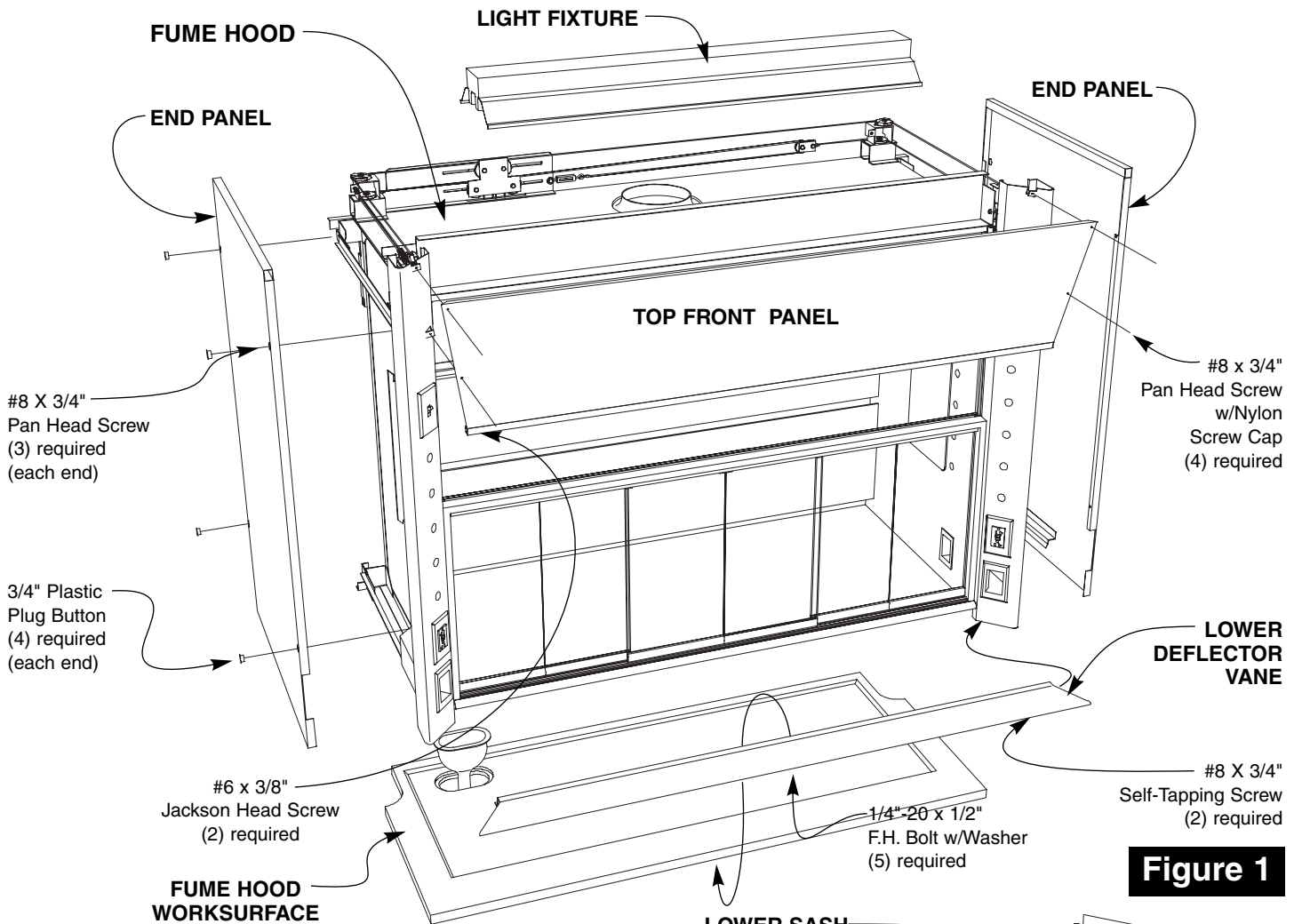
S T Y L E

## Fume Hoods

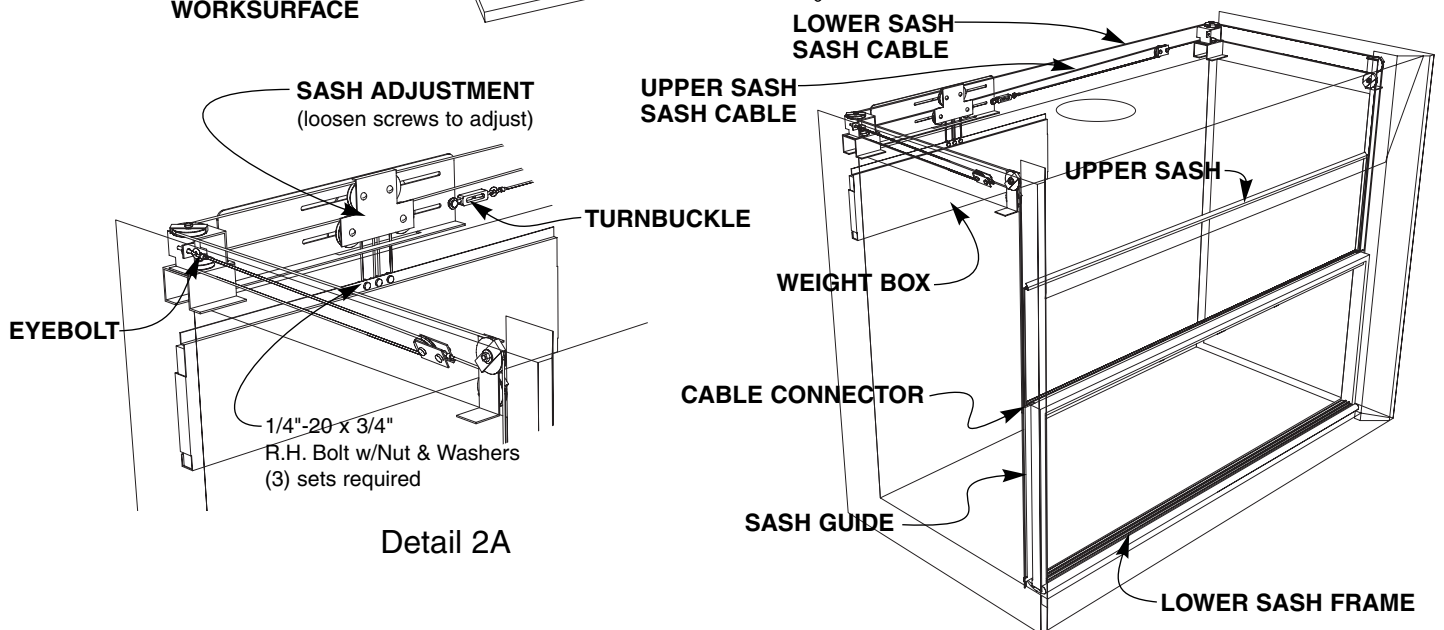
48"- 60"- 72"- 96" long

# Supreme Air Bench Hood

## Dynamic Barrier Fume Hood



**Figure 1**



**Figure 2**

# Supreme Air Bench Hood

## Dynamic Barrier Fume Hood

### Packing List

On Pallet	Fume Hood	Hardware Package
	Sash Weight Box	(10) Nylon Screw Caps (EXTRAS)
	Glass Sash Panels	(10) 3/4" Plastic Plug Buttons (2 EXTRAS)
	Hardware Package	(5) 1/4"-20 x 1/2" F.H. Machine Screws
	(Lower Deflector Vane shipped on top of hood)	(5) 1/4" Flat Washers
<b>NOTICE</b>	Fume Hood Worksurface and cupsink are packaged separately.	(2) #8 x 3/4" Self-Tapping O.H. Screws

### Preparation

- Place, level, and install the **Base Unit Assembly** that will support the **Fume Hood** as shown on page 4.
- Attach the **Fume Hood Worksurface** to the **Base Unit Assembly** at the corners using epoxy cement or similar adhesive.

**NOTICE** Worksurface should be centered on units and overhang the front by 1 1/2". Worksurface must be level. Shim beneath as needed.

- Uncrate **Fume Hood** taking care to sort and inventory all parts.
- Remove **End Panels** from **Fume Hood** and remove screws holding **Fume Hood** and **Weight Box** to pallet. (Save End Panel screws to reattach End Panel later.)
- Remove all packing from **Fume Hood** and any tape holding parts in place for shipping.

**NOTICE** **Fume Hood** is packed fully assembled except for **Weight Box, Sash Panels, and Lower Deflector Vane**. The **Light Fixture** and **Top Front Panel** may be removed to fit through narrow doorways and/or for easier access.

**NOTICE** Generally electrical fixtures and plumbing fittings are shipped installed, but may be shipped loose depending on job requirements. Fittings may also be pre-wired and/or pre-piped. Fittings are not shown on assembly diagram as quantities and locations vary to meet individual requirements.

### Installation

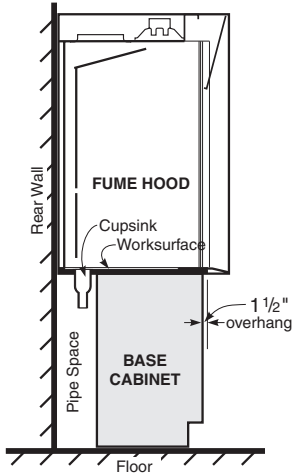
- Install **Glass Sash Panels** per instructions on page 5.
- Check that **Sash Cables** are properly routed over front pulleys, around rear pulleys, and through the **Sash Adjustment** pulleys. (see Figure 2)
- Attach **Weight Box** to cables using three (3) 1/4" -20 x 3/4" R.H. Bolt, Nylock Nut, and six (6) Flat Washers (bolt, nut, and washer shipped attached to cable ends)
- Loosen **Sash Adjustment** pulley bolts and slide pulleys as needed to level **Lower Sash Assembly**. Re-tighten when adjusted.
- Adjust **Turnbuckle** and **Eyebolt** to align **Upper Sash** with **Lower Sash**.
- Using as many workers as needed, lift assembled **Fume Hood** and place on leveled **Worksurface**. Make sure hood is pushed back as far as possible and centered on **Base Unit Assembly**.
- Attach the **Lower Deflector Vane** to the **Worksurface** using five (5) 1/4"-20 x 1/2" flat head machine screws with washers. Then anchor **Lower Deflector Vane** to **Facia Posts** using two (2) #8 x 3/4" self tapping screws.
- Coordinate connections of service fittings, electrical fixtures, and ductwork with the respective trades (i.e. mechanical, electrical, HVAC). After connections are complete, replace interior **Access Panels**, if removed, and the exterior **End Panels**. Cover screw holes in **End Panels** with 3/4" **Plastic Plug Buttons**.
- Check **Sash** again for level and smooth movement. Adjust as needed. (see Steps 9 and 10 above)  
To adjust **Upper Sash** side-to-side, loosen screws on back of **Sash Rail** and slide the **Cable Connectors** as needed.  
To adjust **Lower Sash** side-to-side, loosen screws on back of **Sash Frame** (4 each side) and slide the **Sash Guides** as needed.

**! CAUTION** When adjusting side-to-side, make sure sash frame edges clear the front pulleys.

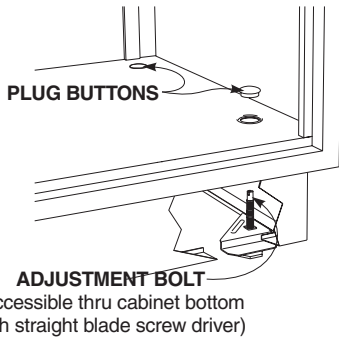
- Inspect the complete installation, remove any dust, dirt, or other debris. Check all moving parts for proper operation, and adjust or lubricate as necessary.

# Supreme Air Bench Hood

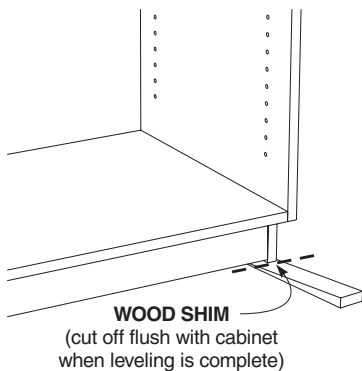
## Dynamic Barrier Fume Hood



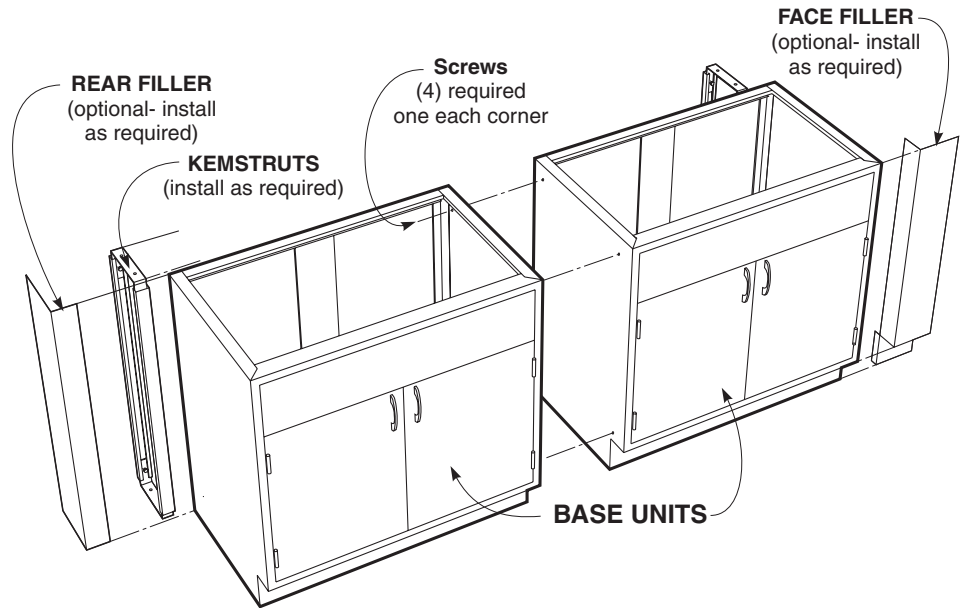
**Detail 1**  
Fume Hood Base Cabinet Location



**Detail 2S**  
Steel base cabinets are leveled using the adjustment bolts located in the cabinet base.



**Detail 2W**  
Wood base cabinets are leveled using wooden shims, available at any lumber yard or home center.



### Preparation

1. Locate and mark hood and base cabinet locations making sure area is clear of obstructions and debris. Be sure all conduit, duct work and service lines have been run and are ready for final connections.

**NOTICE** Kemstruts and other pipe or worksurface supports should be installed before the base cabinets are moved into place.

2. Locate the high point of the floor within the area that the base cabinets will be installed.

### Installation

3. Starting with the base cabinet on the highest point on the floor, move the first cabinet into location. Make sure the back of the cabinet is located 8" from the rear wall, as shown in Detail 1 above, and in proper relationship to adjacent walls or equipment as shown on job drawings and floor plans.

4. Using a four foot carpenters level, level the cabinet; side-to-side, front-to-back, and diagonally. (see Detail 2S and 2W to the left for leveling methods)

**NOTICE** Blocks or cleats may be used to fasten cabinets to floor or walls to insure cabinets don't move during installation.

5. Move the next cabinet into position and clamp it to the first cabinet, making sure that the cabinet faces and tops are flush.
6. Level the cabinet, as in step 4.
7. Using four (4) screws, as listed below, fasten the two cabinets together at all four corners of the end panels.

Use #8 x 1-1/4" Flat Head screws for wood cabinets.

Use #8 x 1/2" Truss Head Sheet Metal screws for steel cabinets.

(pilot holes must be drilled in the steel cabinets before driving screws)

8. Complete hood installation and all mechanical connections before installing any required fillers or scribes.

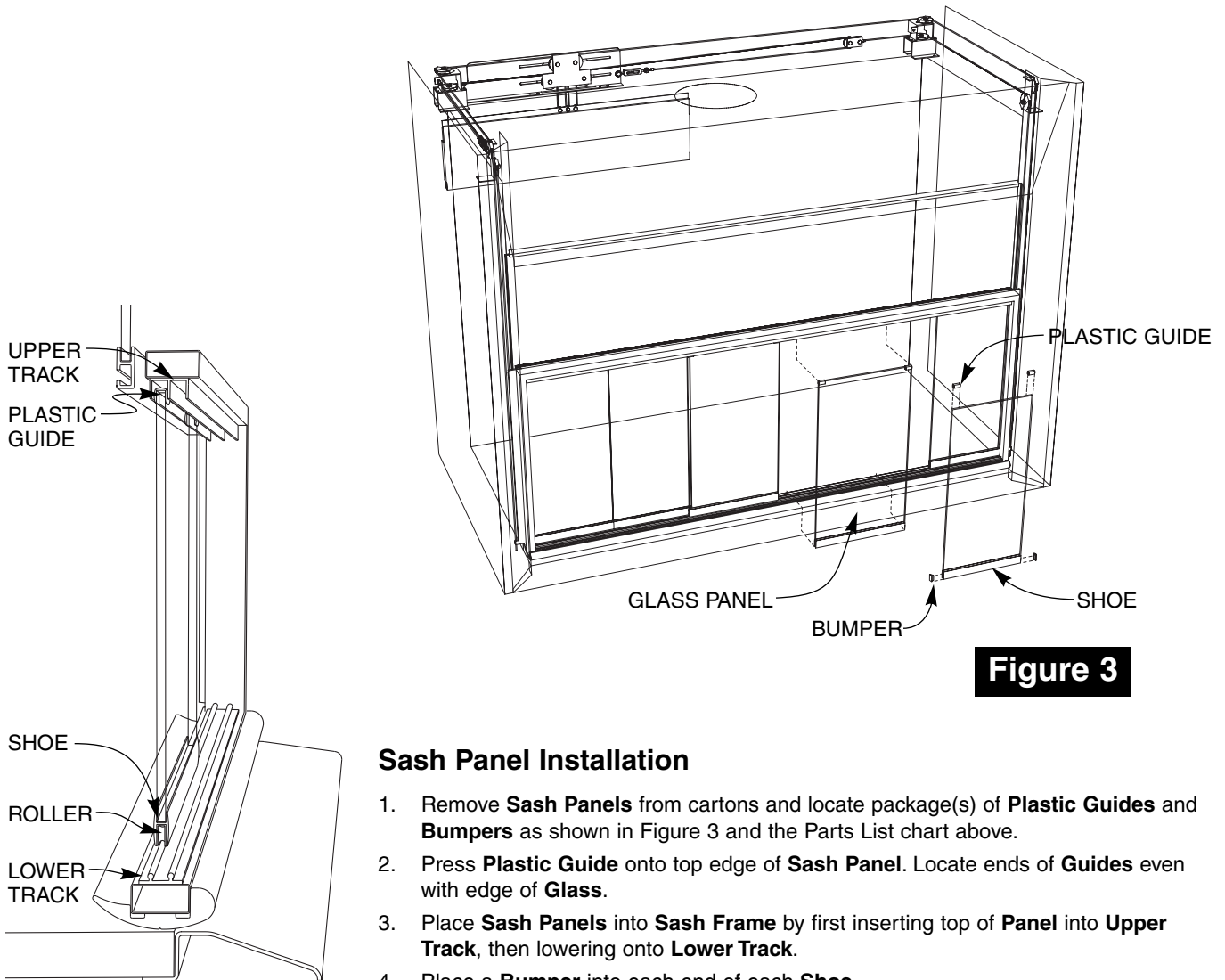
**NOTICE** It is recommended that the polyethylene liner be removed from Acid Storage cabinets during installation to allow fastening to adjacent cabinets and ease plumbing connections. Be sure to replace when installation is complete.

# Supreme Air Bench Hood

## Dynamic Barrier Fume Hood

### Lower Sash – Parts List

Part Description	4 FT HOOD		5 FT HOOD		6 FT HOOD		8 FT HOOD	
	Qty	Width	Qty	Width	Qty	Width	Qty	Width
Glass Panels for Rear Track	2	11 <sup>7</sup> / <sub>8</sub> "	4	8 <sup>1</sup> / <sub>16</sub> "	4	10 <sup>1</sup> / <sub>16</sub> "	4	14 <sup>1</sup> / <sub>16</sub> "
Glass Panels for Front Track	2	8 <sup>1</sup> / <sub>16</sub> "	2	10"	2	12"	2	16"
Plastic Guides	8		12		12		12	
Bumpers	8		12		12		12	



**Figure 3**

**Figure 4**

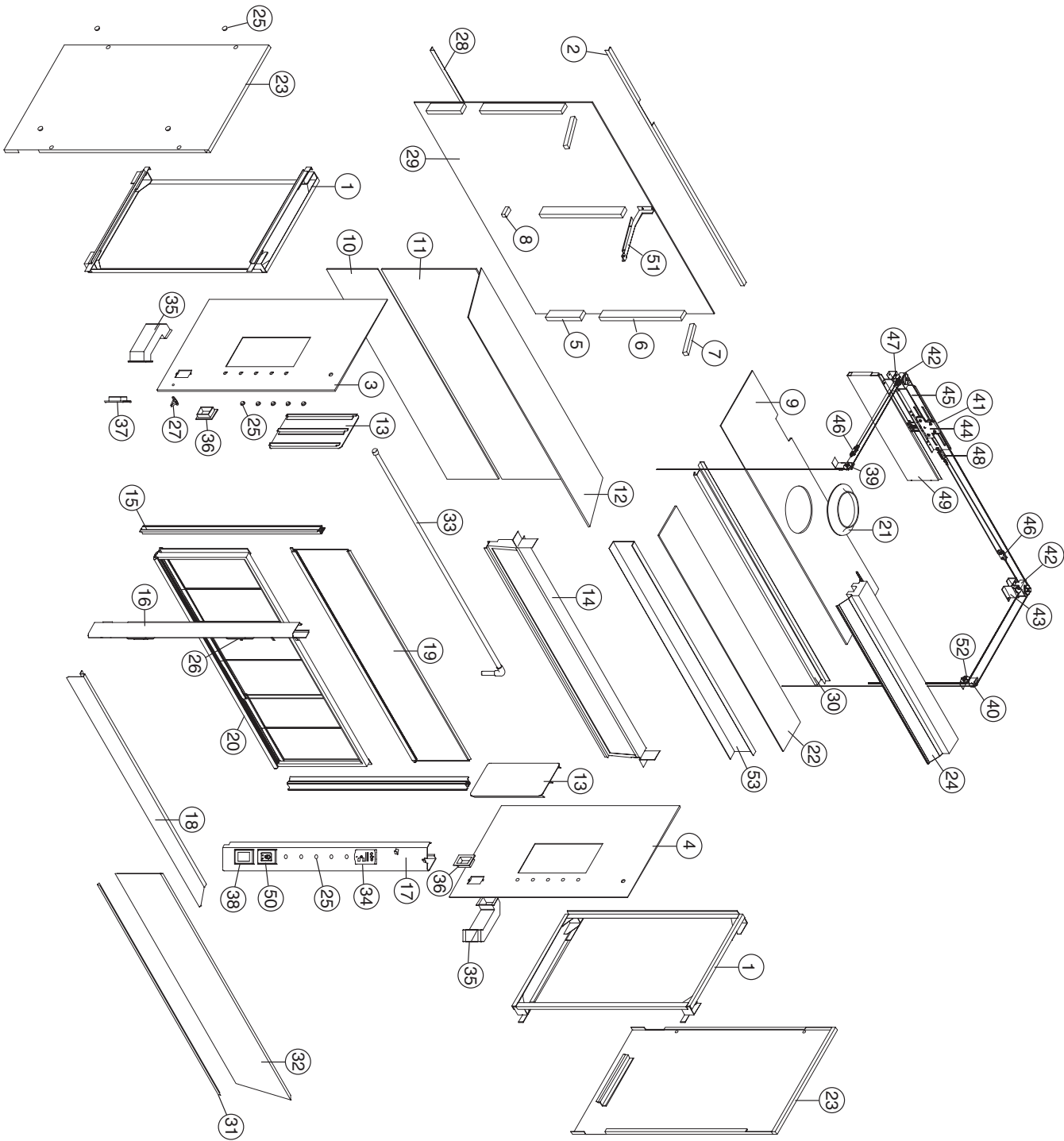
### Sash Panel Installation

1. Remove **Sash Panels** from cartons and locate package(s) of **Plastic Guides** and **Bumpers** as shown in Figure 3 and the Parts List chart above.
2. Press **Plastic Guide** onto top edge of **Sash Panel**. Locate ends of **Guides** even with edge of **Glass**.
3. Place **Sash Panels** into **Sash Frame** by first inserting top of **Panel** into **Upper Track**, then lowering onto **Lower Track**.
4. Place a **Bumper** into each end of each **Shoe**.

**NOTICE** There are two different size **Sash Panels**. It is important that panels are installed in **Sash Frame** as indicated in the Parts List chart above.

**NOTICE** **Sash Panels** should be placed in **Sash Frame** before **Sash Weight** is attached.

**! CAUTION** **Sash Panels** should be closed when raising and lowering **Sash**.



PRT	QTY	DESCRIPTION
1	2	End Frame Assembly
2	1	Top Back Liner Angle
3	1	Left Side Liner Panel
4	1	Right Side Liner Panel
5	2	Lower Side Cleat
6	3	Upper Cleat
7	2	Sloping Baffle Cleat
8	1	Lower Center Cleat
9	1	Top Liner Panel
10	1	Lower Back Baffle
11	1	Upper Back Baffle
12	1	Sloping Baffle
13	2	Access Panel
14	1	Bypass Block Assembly
15	2	Sash Track
16	1	Left Facia Assembly
17	1	Right Facia Assembly
18	1	Deflector Vane Assembly
19	1	Upper Sash Assembly
20	1	Lower Sash Assembly
21	1	Duct Collar
22	1	Light Glass
23	2	End Panel
24	1	Fluorescent Light
25	28	3/4" Plug Button
26	1	Light Switch
27	2	Gravity Sash Stop
28	1	Bottom Back Liner Angle
29	1	Back Liner Panel
30	1	Light Support Angle
31	1	Front Panel Support Angle
32	1	Front Panel
33	1	Alarm Sensor Tube
34	1	Air Alert 500 Alarm
35	2	Cord Port
36	2	Inside Trim Ring
37	2	Outside Trim Ring
38	2	Cord Port Face Plate
39	1	Left Front Pulley Bracket
40	1	Right Front Pulley Bracket
41	1	Rear Tapping Plate
42	2	Top Pulley Bracket
43	1	Right Rear Pulley Bracket
44	1	Rear Pulley Plate
45	1	Left Rear Pulley Bracket
46	2	Floating Pulley Assembly
47	1	Eyebolt
48	1	Hood Cable Turnbuckle
49	1	Sash Weight Assembly
50	2	GFI Duplex Receptacle
51	1	Sloping Baffle Bracket
52	12	2" Dia. Pulley
53	1	Ceiling Enclosure Mounting Bracket

# H50 Fume Hood - Parts Listing