

## Supreme Air Fume Hood

Bench Hood with Combination Vertical Rising/Horizontal Sash

(indicate fittings/fixtures required)

(indicate fittings/fixtures required)

**Light Switch**

Plugged

Plugged [Air]

Plugged [Gas]

Plugged [Cold Water]

Plugged [Vacuum] [Option F]

120VAC GFI Duplex

[Alarm Location 2] **Blank Face Plate**

[Alarm Location 1] Plugged

[Air] Plugged

[Gas] Plugged

[Cold Water] Plugged

[Option F] [Vacuum] Plugged

120VAC GFI Duplex

**Liner Option:** (pick one only)

- K** KMER
- G** Kemglass
- S** Type 304 St. Steel
- T** Phenolic Resin

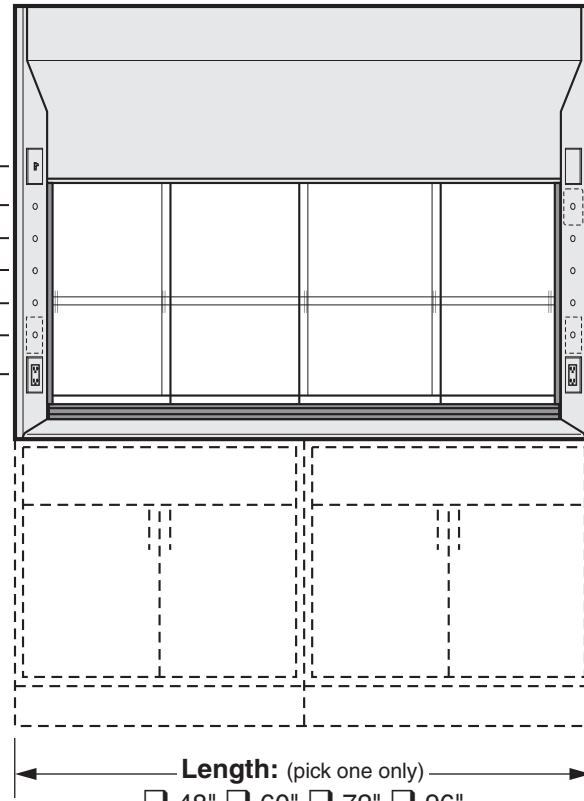
**Pre-piping:** (pick one if required)

- Pre-pipe Up
- Pre-pipe Down

**By-Pass Option:** (pick one only)

- B** Restricted By-Pass  
(restricted to 30% of maximum face opening with sash down.)
- Open By-Pass  
(not recommended)

(Open By-Pass Hood is furnished with louvered top front panel)



**Add On Options:** (indicate options required)

**Interior Baffle Arrangement Options:** (pick one only)

- Standard Fixed Baffle
- A** Adjustable Baffle
- C** Single-Point Adjustable Baffles

**Distillation Rack Option:** (pick if required)

- D** Distillation Rack

**Fire Extinguisher Option:** (pick if required)

- E** Fire Extinguisher

**Electric and Plumbing Options:** (pick all required)

- F** Two Additional G.F.I. Receptacles 120VAC
- G** Front Load Fittings
- H** Pre-Wired to Top of Hood

**Safety Shield Option:** (pick if required)

- n/a Safety Shield

**Interior Lighting Options:** (pick one only)

- Standard Fluorescent Light (T-5 Ballast)
- J** Fluorescent Light (T-8 Ballast)
- K** Vapor Proof Light (Incandescent)
- L** Explosion Proof Light (Incandescent)

**Lower Deflector Vane Options:** (pick one only)

- Standard Painted Lower Deflector Vane
- O** Stainless Steel Deflector Vane

**Sash Handle Options:** (pick one only)

- Standard Painted Metal Sash Handle
- n/a Stainless Steel Sash Handle

**Top Front Panel Options:** (pick one only)

- T** Chevron Grille (Open By-Pass Only)
- V** Vision Panel

**Fume Hood Alarm Options:** (pick one if required)

- W** Air Alert 300 Alarm (location 1)
- Z** Air Alert 300 Alarm (location 2)
- M** Air Alert 600 Alarm (location 1)

**Sash Frame and Glass Options:** (pick one only)

- n/a Frameless Laminated Safety Glass Sash
- n/a Frameless Tempered Glass Sash
- Standard Framed Laminated Safety Glass Sash
- 3** Framed Tempered Glass Sash
- 4** Stainless Steel Safety Glass Sash
- 5** Stainless Steel Tempered Glass Sash

**Miscellaneous Options:** (pick all required)

- 6** Tissue Screen
- 7** Stainless Steel Duct Collar
- 8** Gravity Sash Stop @ 16" above deflector vane

LINER	LENGTH	BY-PASS	ADD-ON OPTIONS	COLOR		ITEM NO.
<b>H07</b>	<b>54</b>	<b>00</b>	<b>00</b>			
PROJECT NAME:						QUANTITY

# Supreme Air Fume Hood

# H07

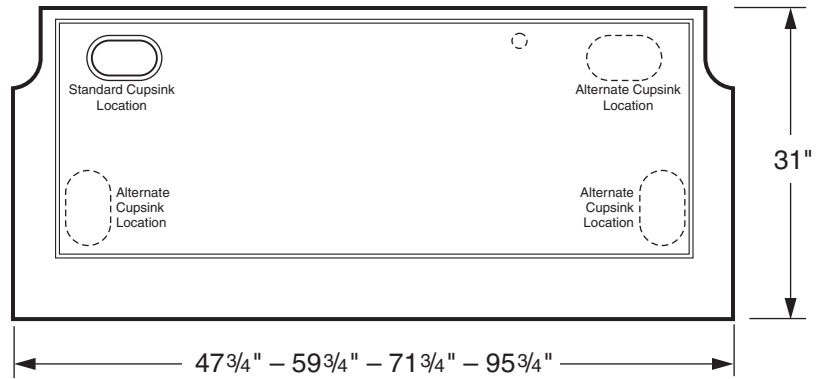
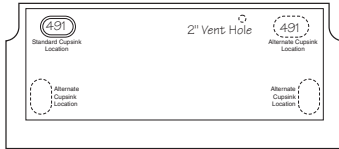
Bench Hood with Combination Vertical Rising/Horizontal Sash

## Plan of Work Top

Indicate cutouts required by noting cupsink part number or size and/or hole type and size at desired location:

**Example:**

The example below calls for two 491 cupsink cutouts in the rear along with a 2" dia. vent hole.



For sink or steambath cutout:  
Sketch in size and location required.

If no cutout is marked, work top will ship with 3"x6" cupsink cutout in left rear corner. If no cutout is required, cross out standard cupsink location. (Cupsink is welded in stainless steel work tops.)

**Work Top Material**

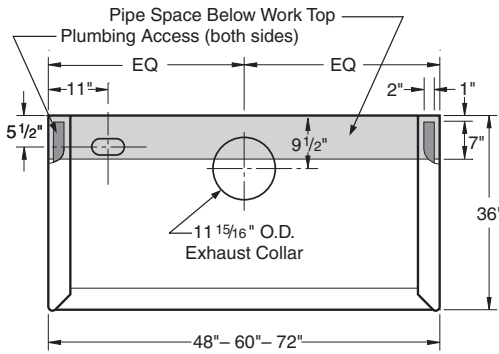
- Black Kemresin
- Type 304 Stainless Steel
- Type 316 Stainless Steel

Overall Hood Length	Sash Opening		Single Sash Panel Width	Maximum Sash Opening with Sash Down			Total CFM and Static Pressure					
	Width	Height		Width	Height	Ft. <sup>2</sup> *	80 FPM	S.P.	100 FPM	S.P.	120 FPM	S.P.
4'-0" / 48"	40"	28"	10.5"	18"	27"	4.8	380	0.05"	480	0.10"	580	0.15"
5'-0" / 60"	52"	28"	13.5"	24"	27"	6.3	500	0.10"	630	0.15"	760	0.20"
6'-0" / 72"	64"	28"	16.5"	30"	27"	7.8	620	0.10"	780	0.15"	940	0.25"
8'-0" / 96"	88"	28"	22.5"	42"	27"	10.9	870	0.10"	1090	0.10"	1310	0.15"

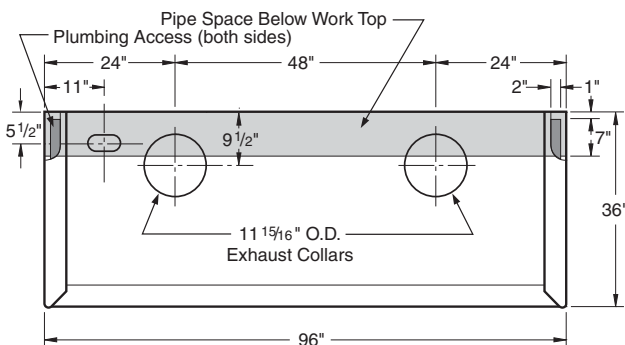
\* Includes By-Pass opening and 1" opening below deflector vane.

- CFM requirements shown above are for **Restricted By-Pass hoods**. Consult your Kewaunee representative for CFM requirements for **Open By-Pass hoods**.
- Static pressures shown are for the pressure drop through the hoods only. The total pressure drop through the hood and the duct system must be calculated to select the proper exhaust fan.

**Rough-In for 4' – 5' – 6' Hoods**



**Rough-In for 8' Hoods**



**Vertical Section**

