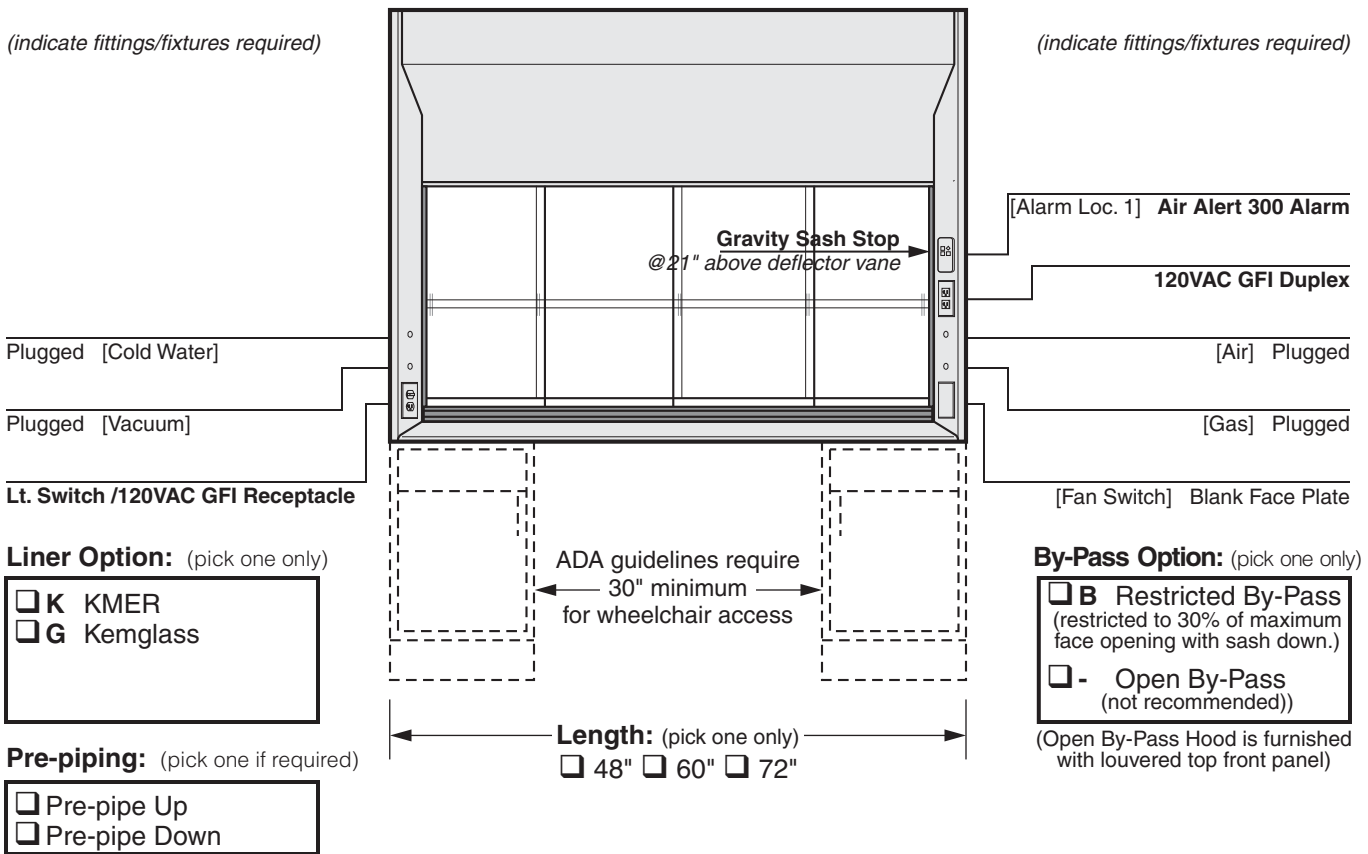


Supreme Air Fume Hood

ADA Bench Hood with Combination Vertical Rising/Horizontal Sash



Add On Options: (indicate options required)

<p>Interior Baffle Arrangement Options: (pick one only)</p> <p>Standard Fixed Baffle</p> <p><input type="checkbox"/> A Adjustable Baffle</p> <p><input type="checkbox"/> C Single-Point Adjustable Baffles</p> <p>Distillation Rack Option: (pick if required)</p> <p><input type="checkbox"/> D Distillation Rack</p> <p>Fire Extinguisher Option: (pick if required)</p> <p><input type="checkbox"/> E Fire Extinguisher</p> <p>Electric and Plumbing Options: (pick all required)</p> <p><input type="checkbox"/> G Front Load Fittings</p> <p><input type="checkbox"/> H Pre-Wired to Top of Hood</p> <p>Safety Shield Option: (pick if required)</p> <p>n/a Safety Shield</p> <p>Interior Lighting Options: (pick one only)</p> <p>Standard Fluorescent Light (T-5 Ballast)</p> <p><input type="checkbox"/> J Fluorescent Light (T-8 Ballast)</p> <p><input type="checkbox"/> K Vapor Proof Light (Incandescent)</p> <p><input type="checkbox"/> L Explosion Proof Light (Incandescent)</p> <p>Lower Deflector Vane Options: (pick one only)</p> <p>Standard Painted Lower Deflector Vane</p> <p><input type="checkbox"/> O Stainless Steel Deflector Vane</p>	<p>Sash Handle Options: (pick one only)</p> <p>Standard Painted Metal Sash Handle</p> <p>n/a Stainless Steel Sash Handle</p> <p>Top Front Panel Options: (pick one only)</p> <p><input type="checkbox"/> T Chevron Grille (Open By-Pass Only)</p> <p><input type="checkbox"/> V Vision Panel</p> <p>Fume Hood Alarm Options:</p> <p>Standard Air Alert 300 Alarm (location 1)</p> <p><input type="checkbox"/> M Air Alert 600 Alarm (location 1)</p> <p>Sash Frame and Glass Options: (pick one only)</p> <p>n/a Frameless Laminated Safety Glass Sash</p> <p>n/a Frameless Tempered Glass Sash</p> <p>Standard Framed Laminated Safety Glass Sash</p> <p><input type="checkbox"/> 3 Framed Tempered Glass Sash</p> <p><input type="checkbox"/> 4 Stainless Steel Safety Glass Sash</p> <p><input type="checkbox"/> 5 Stainless Steel Tempered Glass Sash</p> <p>Miscellaneous Options: (pick all required)</p> <p><input type="checkbox"/> 6 Tissue Screen</p> <p><input type="checkbox"/> 7 Stainless Steel Duct Collar</p> <p><input type="checkbox"/> 8 Move Gravity Sash Stop (from 21" above deflector to 17" above deflector)</p>
--	---

<p>LINER LENGTH BY-PASS ADD-ON OPTIONS</p> <p>H09 <input type="checkbox"/> 54 <input type="checkbox"/> <input type="checkbox"/> <input type="checkbox"/> 00</p>	COLOR	ITEM NO.
PROJECT NAME:		QUANTITY

Supreme Air Fume Hood

H09

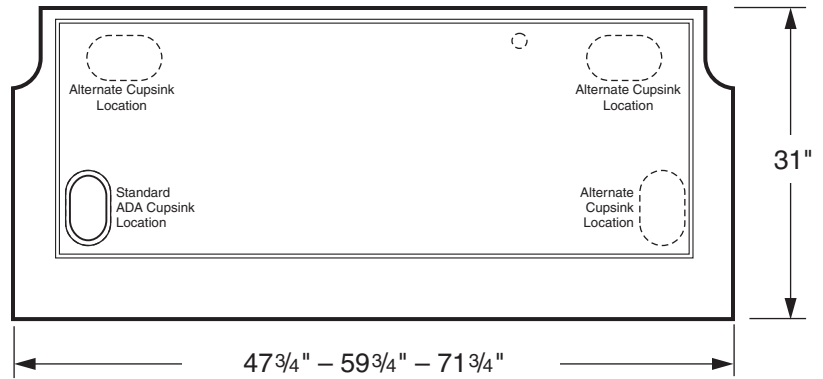
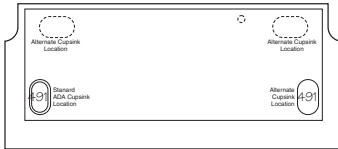
ADA Bench Hood with Combination Vertical Rising/Horizontal Sash

Plan of Work Top

Indicate cutouts required by noting cupsink part number or size and/or hole type and size at desired location:

Example:

The example below calls for two 491 cupsink cutouts in the front.



For sink or steambath cutout:
Sketch in size and location required.

If no cutout is marked, work top will ship with 3"x6" cupsink cutout in left front corner. If no cutout is required, cross out standard cupsink location. (Cupsink is

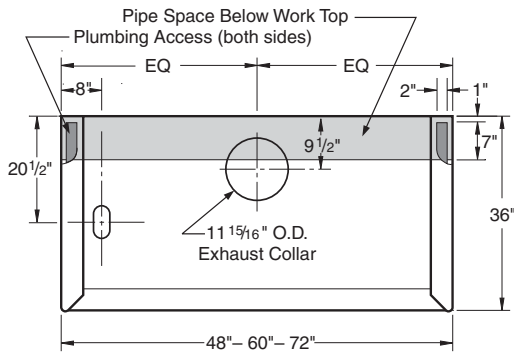
Work Top Material

- Black Kemresin
- Type 304 Stainless Steel
- Type 316 Stainless Steel

Overall Hood Length	Sash Opening		Single Sash Panel Width	Maximum Sash Opening with Sash Down			Total CFM and Static Pressure					
	Width	Height		Width	Height	Ft. ² *	80 FPM	S.P.	100 FPM	S.P.	120 FPM	S.P.
4'-0" / 48"	40"	28"	10.5"	18"	27"	4.8	380	0.05"	480	0.10"	580	0.15"
5'-0" / 60"	52"	28"	13.5"	24"	27"	6.3	500	0.10"	630	0.15"	760	0.20"
6'-0" / 72"	64"	28"	16.5"	30"	27"	7.8	620	0.10"	780	0.15"	940	0.25"

- * Includes By-Pass opening and 1" opening below deflector vane.
- CFM requirements shown above are for **Restricted By-Pass hoods**. Consult your Kewaunee representative for CFM requirements for **Open By-Pass** hoods.
- Static pressures shown are for the pressure drop through the hoods only. The total pressure drop through the hood and the duct system must be calculated to select the proper exhaust fan.

Rough-In for 4' – 5' – 6' Hoods



Rough-in may vary depending on hood base unit locations. Contact your Kewaunee sales representative for more information.

Vertical Section

