

## Supreme Air Fume Hood

Isotope Bench Hood with Vertical Rising Sash

(indicate fittings/fixtures required)

(indicate fittings/fixtures required)

Light Switch

Plugged

Plugged [Air]

Plugged [Gas]

Plugged [Cold Water]

Plugged [Vacuum] [Option F]

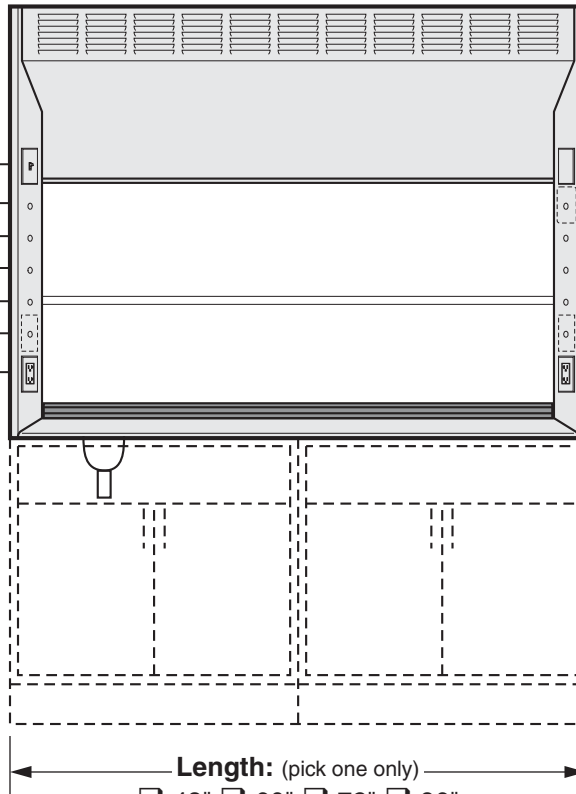
120VAC GFI Duplex

**Liner Option:**

Type 304 St. Steel

**Pre-piping:** (pick one if required)

- Pre-pipe Up
- Pre-pipe Down



[Alarm Location 2] Blank Face Plate

[Alarm Location 1] Plugged

[Air] Plugged

[Gas] Plugged

[Cold Water] Plugged

[Option F] [Vacuum] Plugged

**By-Pass Option:** (pick one only)

- Open By-Pass
- B Restricted By-Pass (restricted to 20% of face opening) (front panel louvers omitted)

Length: (pick one only)

- 48"  60"  72"  96"

**Add On Options:** (indicate options required)

**Interior Baffle Arrangement Options:** (pick one only)

- Standard Fixed Baffle
- A Adjustable Baffle

**Electric and Plumbing Options:** (pick all required)

- F Two Additional G.F.I. Receptacles 120VAC
- Standard Front Load Fittings
- H Pre-Wired to Top of Hood
- Safety Shield Option:** (pick if required)
- I Safety Shield
- Interior Lighting Options:** (pick one only)
- Standard Fluorescent Light (T-5 Ballast)
- J Fluorescent Light (T-8 Ballast)
- K Vapor Proof Light (Incandescent)
- L Explosion Proof Light (Incandescent)

**Lower Deflector Vane Options:** (pick one only)

- Standard Painted Lower Deflector Vane
- O Stainless Steel Deflector Vane

**Sash Handle Options:** (pick one only)

- Standard Painted Metal Sash Handle
- Q Stainless Steel Sash Handle

**Top Front Panel Options:** (pick one only)

- T Chevron Grille (Open By-Pass Only)
- V Vision Panel

**Fume Hood Alarm Options:** (pick one if required)

- W Air Alert 300 Alarm (location 1)
- Z Air Alert 300 Alarm (location 2)
- M Air Alert 600 Alarm (location 1)

**Sash Frame and Glass Options:** (pick one only)

- Standard Frameless Laminated Safety Glass Sash
- 1 Frameless Tempered Glass Sash
- 2 Framed Laminated Safety Glass Sash
- 3 Framed Tempered Glass Sash
- 4 Stainless Steel Safety Glass Sash
- 5 Stainless Steel Tempered Glass Sash

**Miscellaneous Options:** (pick all required)

- 6 Tissue Screen
- Standard Stainless Steel Duct Collar
- 8 Gravity Sash Stop @ 17" above deflector vane

LINER    LENGTH    BY-PASS    ADD-ON OPTIONS				COLOR	ITEM NO.
<b>H20S54</b> <input type="checkbox"/> <input type="checkbox"/> <input type="checkbox"/> <b>00</b>					
PROJECT NAME:					QUANTITY

# Supreme Air Fume Hood

# H20

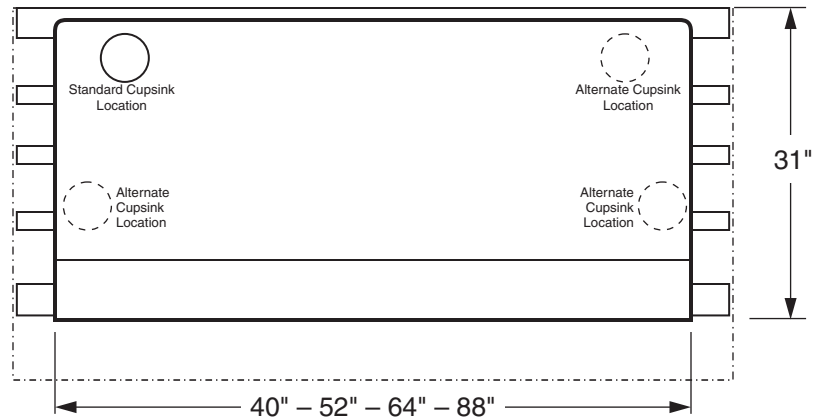
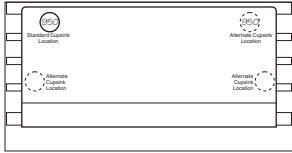
Isotope Bench Hood with Vertical Rising Sash

## Plan of Integral Work Top

Indicate cutouts required by noting cupsink part number or size and/or hole type and size at desired location:

**Example:**

The example below calls for two 950 cupsink in the rear.



For sink or steambath cutout:  
Sketch in size and location required.

If no cutout is marked, work top will ship with 950 cupsink in left rear corner. If no cupsink is required, cross out standard cupsink location. (Cupsink is welded in)

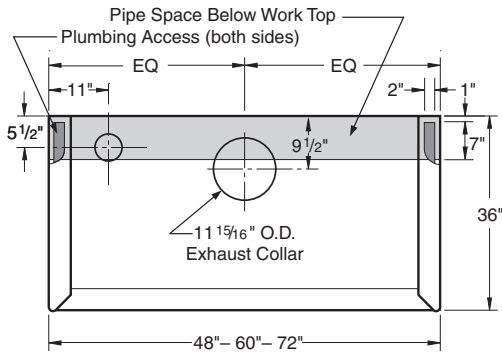
**Work Top Material**  
Type 304 Stainless Steel

Overall Hood Length	Sash Opening			Total CFM and Static Pressure					
	Width	Height	Total Ft. <sup>2</sup> *	80 FPM	S.P.	100 FPM	S.P.	120 FPM	S.P.
4'-0" / 48"	40"	28"	8.1	not recommended		810	0.25"	980	0.35"
5'-0" / 60"	52"	28"	10.5	not recommended		1050	0.30"	1260	0.45"
6'-0" / 72"	64"	28"	12.9	not recommended		1290	0.40"	1550	0.60"
8'-0" / 96"	88"	28"	17.7	not recommended		1770	0.25"	2130	0.35"

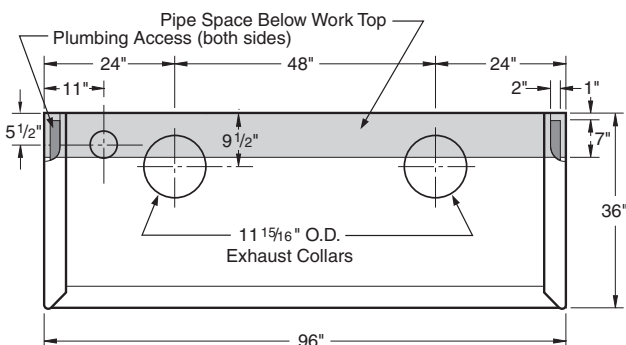
\* Includes 1" opening below deflector vane.

- CFM requirements shown above are for **Open By-Pass** hoods. The CFM requirements for a **Restricted By-Pass** hood with the sash fully open is the same as above. The by-pass opening with the sash closed is 20% of that with the sash fully open.
- Static pressures shown are for the pressure drop through the hoods only. The total pressure drop through the hood and the duct system must be calculated to select the proper exhaust fan.

### Rough-In for 4' - 5' - 6' Hoods



### Rough-In for 8' Hoods



### Vertical Section

