

Supreme Air Fume Hood

Four – Five – Six Foot **H32**

Walk-In Hood with Combination Vertical Rising/Horizontal Sash

(indicate fittings/fixtures required)

(indicate fittings/fixtures required)

Light Switch

Plugged

Plugged [Air]

Plugged [Gas]

Plugged [Cold Water]

Plugged [Vacuum]

120VAC GFI Duplex

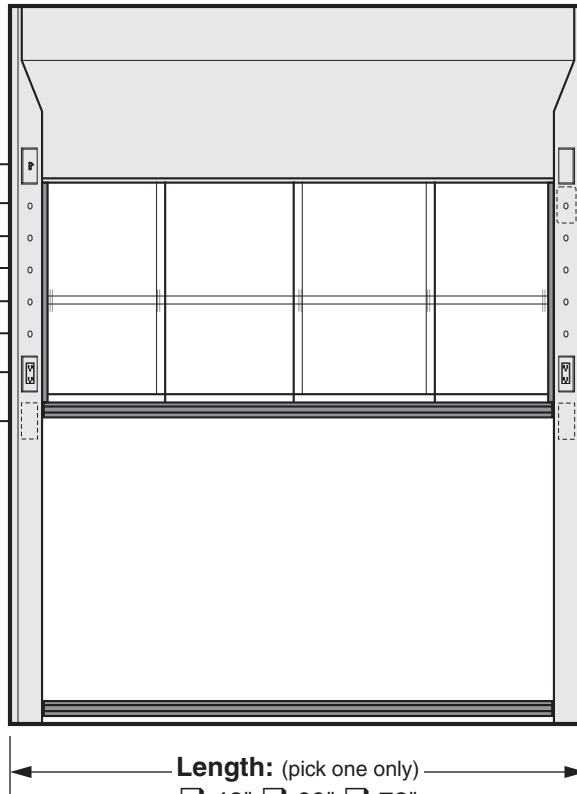
[Option F]

Liner Option: (pick one only)

- K** KMER
- G** Kemglass
- S** Type 304 St. Steel
- T** Phenolic Resin

Pre-piping: (pick one if required)

- Pre-pipe Up
- Pre-pipe Down



Length: (pick one only)

- 48" 60" 72"

[Alarm Location 2] **Blank Face Plate**

[Alarm Location 1] Plugged

[Air] Plugged

[Gas] Plugged

[Cold Water] Plugged

[Vacuum] Plugged

120VAC GFI Duplex

[Option F]

By-Pass Option: (pick one only)

- B** Restricted By-Pass (restricted to 30% of maximum face opening with sash down.)
- Open By-Pass (not recommended)

(Open By-Pass Hood is furnished with louvered top front panel)

Add On Options: (indicate options required)

Interior Baffle Arrangement Options: (pick one only)

- Standard Fixed Baffle
- A** Adjustable Baffle
- C** Single-Point Adjustable Baffles

Distillation Rack Option: (pick if required)

- D** Distillation Rack

Fire Extinguisher Option: (pick if required)

- E** Fire Extinguisher

Electric and Plumbing Options: (pick all required)

- F** Two Additional G.F.I. Receptacles 120VAC
- G** Front Load Fittings
- H** Pre-Wired to Top of Hood

Safety Shield Option: (pick if required)

- n/a Safety Shield

Interior Lighting Options: (pick one only)

- Standard Fluorescent Light (T-5 Ballast)
- J** Fluorescent Light (T-8 Ballast)
- K** Vapor Proof Light (Incandescent)
- L** Explosion Proof Light (Incandescent)

Sash Handle Options: (pick one only)

- Standard Painted Metal Sash Handle
- n/a Stainless Steel Sash Handle

Top Front Panel Options: (pick one only)

- T** Chevron Grille (Open By-Pass Only)
- V** Vision Panel

Fume Hood Alarm Options: (pick one if required)

- W** Air Alert 300 Alarm (location 1)
- Z** Air Alert 300 Alarm (location 2)
- M** Air Alert 600 Alarm (location 1)

Sash Frame and Glass Options: (pick one only)

- n/a Frameless Laminated Safety Glass Sash
- n/a Frameless Tempered Glass Sash
- Standard Framed Laminated Safety Glass Sash
- 3** Framed Tempered Glass Sash
- 4** Stainless Steel Safety Glass Sash
- 5** Stainless Steel Tempered Glass Sash

Miscellaneous Options: (pick all required)

- 6** Tissue Screen
- 7** Stainless Steel Duct Collar
- 8** Gravity Sash Stop @ 16" above bottom sash
- 9** Work Shelf Supports

<p>LINER LENGTH BY-PASS ADD-ON OPTIONS</p> <p>H32 <input type="checkbox"/> 90 <input type="checkbox"/> <input type="checkbox"/> <input type="checkbox"/> 00 _____</p>	<p>COLOR</p>	<p>ITEM NO.</p>
<p>PROJECT NAME:</p>		<p>QUANTITY</p>

Supreme Air Fume Hood

Walk-In Hood with Combination Sash

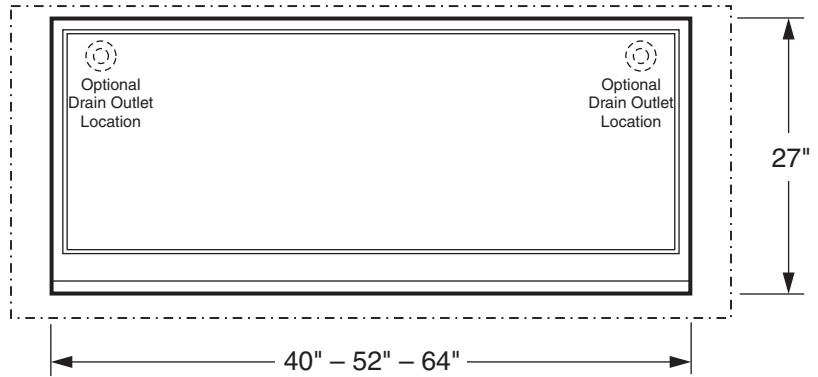
Four – Five – Six Foot **H32**

Plan of Optional Work Floor

Indicate cutouts required by noting hole type and/or size at desired location:

Example:

The example below calls for one 482 sink outlet cutouts in the right rear.



If no cutout is marked, hood floor will ship with no cutout or holes.

Hood Floor Material

Black Kemresin

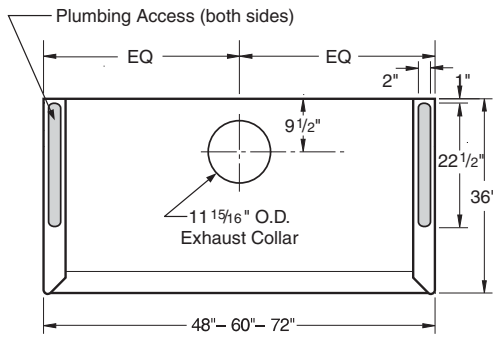
Type 304 Stainless Steel

Overall Hood Length	Sash Opening		Single Sash Panel Width	Maximum Sash Opening with Sash Down			Total CFM and Static Pressure					
	Width	Height		Width	Height	Ft. ² *	80 FPM	S.P.	100 FPM	S.P.	120 FPM	S.P.
4'-0" / 48"	40"	28"	10.5"	18"	27"	4.8	380	0.05"	480	0.10"	580	0.15"
5'-0" / 60"	52"	28"	13.5"	24"	27"	6.3	500	0.10"	630	0.15"	760	0.20"
6'-0" / 72"	64"	28"	16.5"	30"	27"	7.8	620	0.10"	780	0.15"	940	0.25"
8'-0" / 96"	88"	28"	22.5"	42"	27"	10.9	870	0.10"	1090	0.10"	1310	0.15"

* Includes maximum upper sash opening with sash down, By-Pass opening, and 1" opening below lower sash.

- CFM requirements shown above are for **Restricted By-Pass hoods**. Consult your Kewaunee representative for CFM requirements for **Open By-Pass hoods**.
- Static pressures shown are for the pressure drop through the hoods only. The total pressure drop through the hood and the duct system must be calculated to select the proper exhaust fan.

Rough-In for 4' – 5' – 6' Hoods



Vertical Section

