

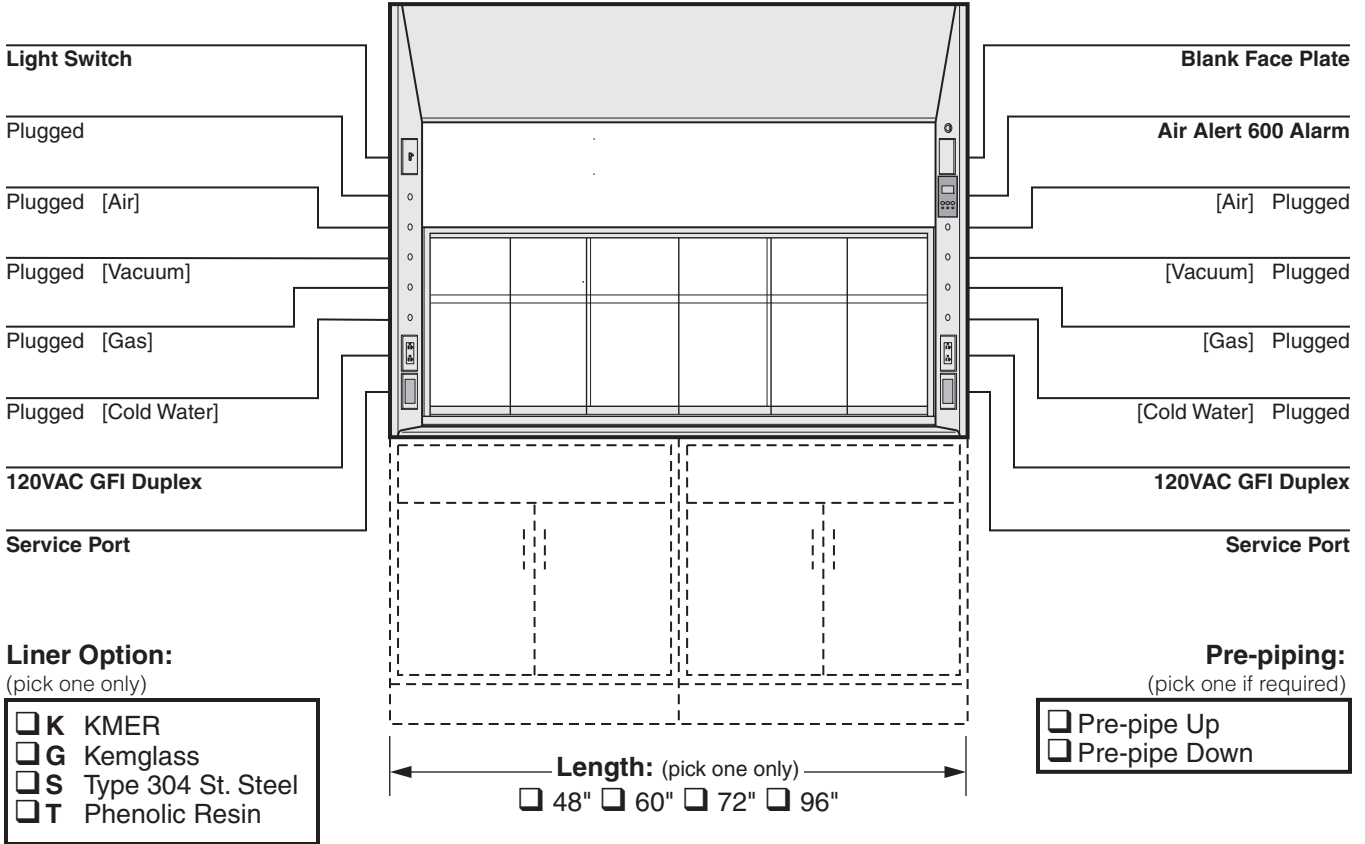
Dynamic Barrier Supreme Air Fume Hood

H50

Low Constant Volume Bench Hood with Combination Vertical Rising/Horizontal Sash

(indicate fittings/fixtures required)

(indicate fittings/fixtures required)



Add On Options: (indicate options required)

<p>Distillation Rack Option: (pick if required) <input type="checkbox"/> D Distillation Rack</p> <p>Fire Extinguisher Option: (pick if required) <input type="checkbox"/> E Fire Extinguisher</p> <p>Electric and Plumbing Options: (pick all required) <input type="checkbox"/> G Front Load Fittings <input type="checkbox"/> H Pre-Wired to Top of Hood</p> <p>Interior Lighting Options: (pick one only) Standard Fluorescent Light (T-5 Ballast) <input type="checkbox"/> J Fluorescent Light (T-8 Ballast) <input type="checkbox"/> K Vapor Proof Light (Incandescent) <input type="checkbox"/> L Explosion Proof Light (Incandescent)</p>	<p>Lower Deflector Vane Options: (pick one only) Standard Painted Lower Deflector Vane <input type="checkbox"/> O Stainless Steel Deflector Vane</p> <p>Sash Options: (pick one only) Standard Laminated Safety Glass Sashes <input type="checkbox"/> 3 Tempered Glass Sashes</p> <p>Miscellaneous Options: (pick all required) <input type="checkbox"/> 6 Tissue Screen <input type="checkbox"/> 7 Stainless Steel Duct Collar</p>
---	--

LINER LENGTH ADD-ON OPTIONS H50 <input type="checkbox"/> <input type="checkbox"/> 54 <input type="checkbox"/> <input type="checkbox"/> - 00	COLOR	ITEM NO.
PROJECT NAME:		QUANTITY

Dynamic Barrier Supreme Air Fume Hood

H50

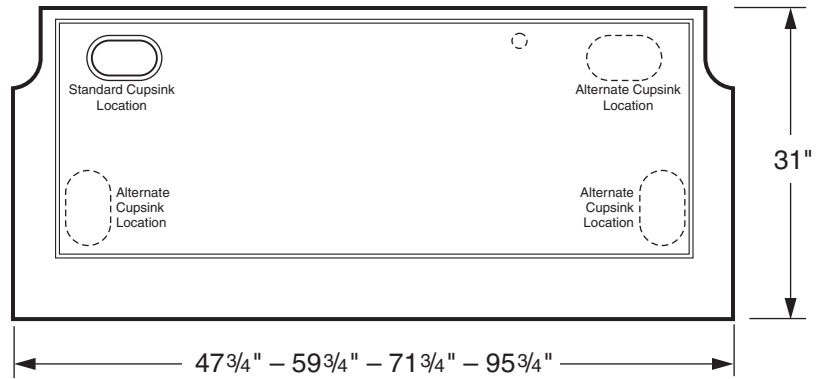
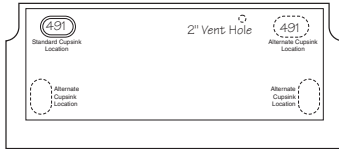
Low Constant Volume Bench Hood
with Combination Vertical Rising/Horizontal Sash

Plan of Work Top

Indicate cutouts required by noting cupsink part number or size and/or hole type and size at desired location:

Example:

The example below calls for two 491 cupsink cutouts in the rear along with a 2" dia. vent hole.



For sink or steambath cutout:
Sketch in size and location required.

If no cutout is marked, work top will ship with 3"x6" cupsink cutout in left rear corner. If no cutout is required, cross out standard cupsink location. (Cupsink is

Work Top Material

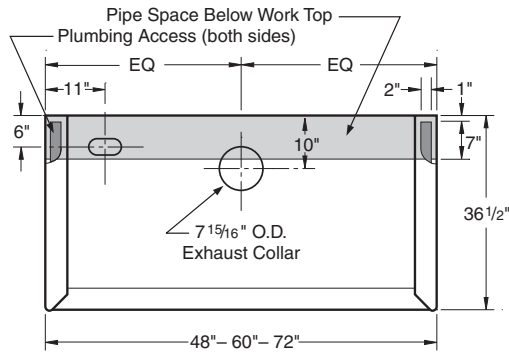
- Black Kemresin
- Type 304 Stainless Steel
- Type 316 Stainless Steel

Overall Hood Length	Maximum Sash Opening		Maximum Face Opening of Horizontal Sashes				Face Opening with Vertical Sash at 10" Sash Stop				Total CFM and Static Pressure	
	Width	Height	Width	Height	Ft. ² *	Velocity	Width	Height	Ft. ² *	Velocity	CFM	S.P.
4'-0" / 48"	40"	37"	14 1/2"	22"	2.25	100 FPM	40"	10"	2.78	81 FPM	225	0.10"
5'-0" / 60"	52"	37"	18"	22"	2.80	100 FPM	52"	10"	3.61	80 FPM	280	0.11"
6'-0" / 72"	64"	37"	22"	22"	3.50	100 FPM	64"	10"	4.44	80 FPM	350	0.18"
8'-0" / 96"	88"	37"	30"	22"	4.85	100 FPM	88"	10"	6.11	80 FPM	485	0.10"

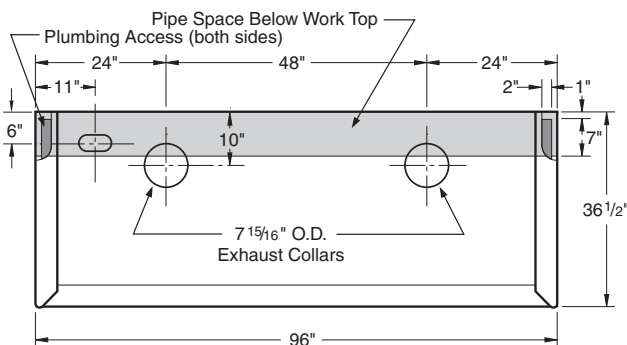
* Includes free area contributions from sash clearance spaces and by-pass opening.

Static pressures shown are for the pressure drop through the hoods only. The total pressure drop through the hood and the duct system must be calculated to select the proper exhaust fan.

Rough-In for 4' – 5' – 6' Hoods



Rough-In for 8' Hoods



Vertical Section

