

Supreme Air Fume Hood

HOP

HOPEC Style Bench Hood with Combination Vertical Rising/Horizontal Sash

(indicate fittings/fixtures required)

(indicate fittings/fixtures required)

Light Switch

Plugged

Plugged [Air]

Plugged [Gas]

Plugged [Cold Water]

Plugged [Vacuum] [Option F]

120VAC GFI Duplex

[Alarm Location 2] **Blank Face Plate**

[Alarm Location 1] Plugged

[Air] Plugged

[Gas] Plugged

[Cold Water] Plugged

[Option F] [Vacuum] Plugged

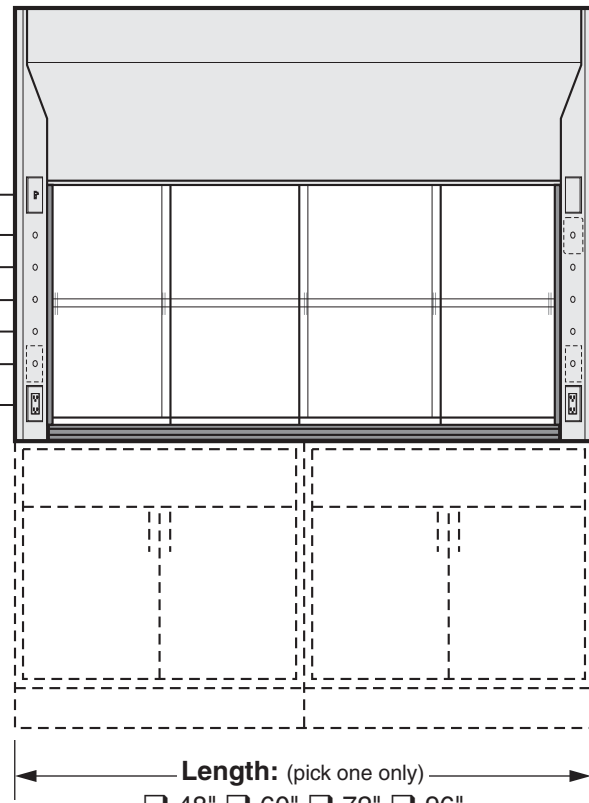
120VAC GFI Duplex

Liner Option: (pick one only)

- K** KMER
- G** Kemglass
- S** Type 304 St. Steel
- T** Phenolic Resin

Pre-piping: (pick one if required)

- Pre-pipe Up
- Pre-pipe Down



Add On Options: (indicate options required)

<p>Interior Baffle Arrangement Options: (pick one only)</p> <p>Standard Fixed Baffle</p> <ul style="list-style-type: none"> <input type="checkbox"/> A Adjustable Baffle <input type="checkbox"/> C Single-Point Adjustable Baffles <p>Distillation Rack Option: (pick if required)</p> <ul style="list-style-type: none"> <input type="checkbox"/> D Distillation Rack <p>Fire Extinguisher Option: (pick if required)</p> <ul style="list-style-type: none"> <input type="checkbox"/> E Fire Extinguisher <p>Electric and Plumbing Options: (pick all required)</p> <ul style="list-style-type: none"> <input type="checkbox"/> F Two Additional G.F.I. Receptacles 120VAC <input type="checkbox"/> G Front Load Fittings <input type="checkbox"/> H Pre-Wired to Top of Hood <p>Safety Shield Option: (pick if required)</p> <p>n/a Safety Shield</p> <p>Interior Lighting Options: (pick one only)</p> <p>Standard Fluorescent Light (T-5 Ballast)</p> <ul style="list-style-type: none"> <input type="checkbox"/> J Fluorescent Light (T-8 Ballast) <input type="checkbox"/> K Vapor Proof Light (Incandescent) <input type="checkbox"/> L Explosion Proof Light (Incandescent) <p>Lower Deflector Vane Options: (pick one only)</p> <p>n/a Painted Lower Deflector Vane</p> <p>n/a Stainless Steel Deflector Vane</p>	<p>Sash Handle Options: (pick one only)</p> <p>Standard Painted Metal Sash Handle</p> <p>n/a Stainless Steel Sash Handle</p> <p>Top Front Panel Options: (pick one only)</p> <p>n/a Chevron Grille (Open By-Pass Only)</p> <p>Standard Vision Panel</p> <p>Fume Hood Alarm Options: (pick one if required)</p> <ul style="list-style-type: none"> <input type="checkbox"/> W Air Alert 300 Alarm (location 1) <input type="checkbox"/> Z Air Alert 300 Alarm (location 2) <input type="checkbox"/> M Air Alert 600 Alarm (location 1) <p>Sash Frame and Glass Options: (pick one only)</p> <p>n/a Frameless Laminated Safety Glass Sash</p> <p>n/a Frameless Tempered Glass Sash</p> <p>Standard Framed Laminated Safety Glass Sash</p> <ul style="list-style-type: none"> <input type="checkbox"/> 3 Framed Tempered Glass Sash <input type="checkbox"/> 4 Stainless Steel Safety Glass Sash <input type="checkbox"/> 5 Stainless Steel Tempered Glass Sash <p>Miscellaneous Options: (pick all required)</p> <ul style="list-style-type: none"> <input type="checkbox"/> 6 Tissue Screen <input type="checkbox"/> 7 Stainless Steel Duct Collar <p>Standard Gravity Sash Stop @ 14" above deflector vane)</p>
--	--

<p>LINER</p> <p>HOP <input type="checkbox"/> 54 <input type="checkbox"/> <input type="checkbox"/> B00</p>	<p>LENGTH</p>	<p>ADD-ON OPTIONS</p>	<p>COLOR</p>	<p>ITEM NO.</p>
<p>PROJECT NAME:</p>				<p>QUANTITY</p>

Supreme Air Fume Hood

HOPEC Style Bench Hood

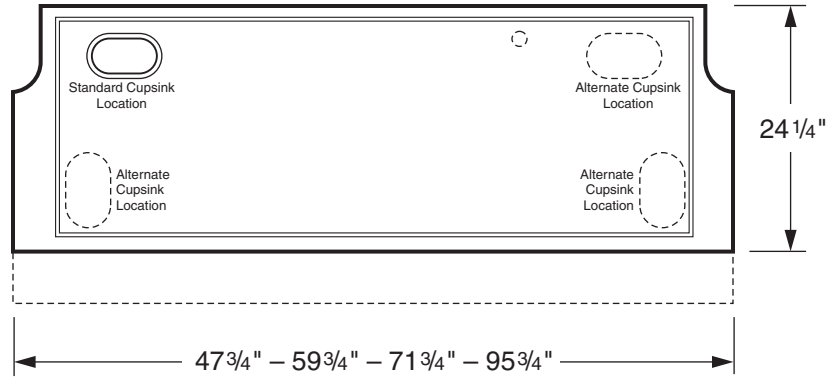
HOP

Plan of Work Top

Indicate cutouts required by noting cupsink part number or size and/or hole type and size at desired location:

Example:

The example below calls for two 491 cupsink cutouts in the rear along with a 2" dia. vent hole.



For sink or steambath cutout:
Sketch in size and location required.

If no cutout is marked, work top will ship with 3"x6" cupsink cutout in left rear corner. If no cutout is required, cross out standard cupsink location. (Cupsink is

Work Top Material

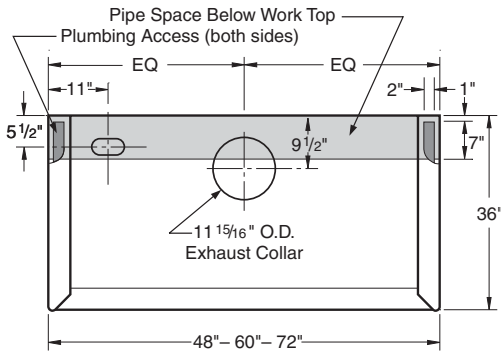
- Black Kemresin
- Type 304 Stainless Steel
- Type 316 Stainless Steel

Overall Hood Length	Sash Opening		Single Sash Panel Width	Maximum Sash Opening with Sash Down			Total CFM and Static Pressure					
	Width	Height		Width	Height	Ft. ² *	80 FPM	S.P.	100 FPM	S.P.	120 FPM	S.P.
4'-0" / 48"	40"	29"	10.5"	18"	29"	4.0	320	0.05"	400	0.05"	490	0.10"
5'-0" / 60"	52"	29"	13.5"	24"	29"	5.4	430	0.05"	540	0.10"	650	0.15"
6'-0" / 72"	64"	29"	16.5"	30"	29"	6.8	540	0.10"	680	0.15"	820	0.20"
8'-0" / 96"	88"	29"	22.5"	42"	29"	9.5	760	0.05"	950	0.10"	1150	0.10"

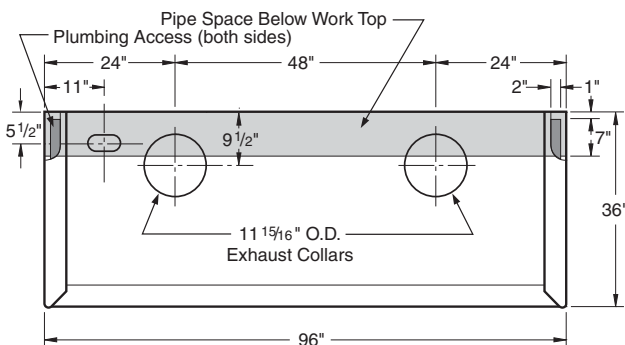
* Maximum sash opening with sash down. Includes lower airfoil opening.

• Static pressures shown are for the pressure drop through the hoods only. The total pressure drop through the hood and the duct system must be calculated to select the proper exhaust fan.

Rough-In for 4' – 5' – 6' Hoods



Rough-In for 8' Hoods



Vertical Section

