

Supreme Air LV Fume Hood

Bench Hood with Vertical Rising Sash

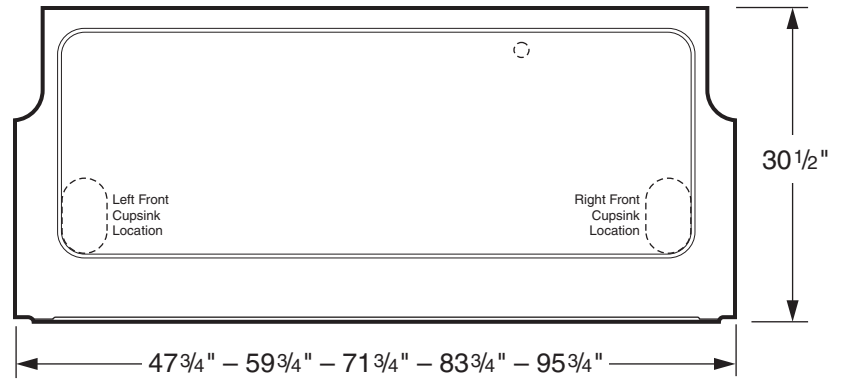
LV05

Plan of Work Top

Indicate cutouts required by noting cupsink part number or size and/or hole type and size at desired location:

Example:

The example below calls for two 499 cupsink cutouts in the front along with a 2" dia. vent hole.



For sink or steambath cutout:
Sketch in size and location required.

If no cutout is marked, work top will ship without any cupsink cutouts (Cupsink is welded in stainless steel work tops.)

Work Top Material

Black Kemresin

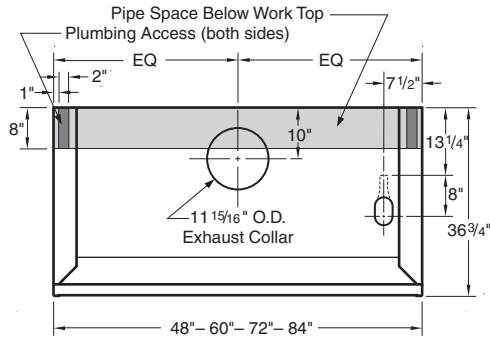
Type 304 Stainless Steel

Overall Hood Width	Sq. Ft. Opening at 28" Sash Opening*	Sq. Ft. Opening at 18" Sash Opening*	HIGH SETTING 100 FPM at 18" 66 FPM at 28"		MEDIUM SETTING 84 FPM at 18" 55 FPM at 28"		LOW SETTING 55 FPM at 18" 28" Not Recommended	
			CFM	SP	CFM	SP	CFM	SP
4'-0" / 48"	7.85	5.15	515	0.20	432	0.15	285	0.10
5'-0" / 60"	10.27	6.73	673	0.20	565	0.15	370	0.12
6'-0" / 72"	12.69	8.31	831	0.25	698	0.20	458	0.15
7'-0" / 84"	15.10	9.90	990	0.33	831	0.25	545	0.18
8'-0" / 96"	17.52	11.49	1149	0.20	964	0.15	632	0.10

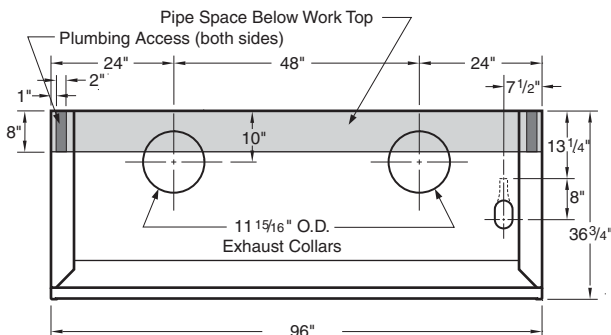
* Includes free area contributions from sash clearance spaces and bypass opening.

• Static pressures shown are for the pressure drop through the hoods only. The total pressure drop through the hood and the duct system must be calculated to select the proper exhaust fan.

Rough-In for 4' - 5' - 6' - 7' Hoods



Rough-In for 8' Hoods



Vertical Section

