
ADJUSTABENCH™

Kewaunee recommends the specifications of the floor/room/area layout be determined in advance of ordering the actual workstations. The end result is a well planned, work area that meets your requirements, saves money, and provides your personnel with an ergonomically designed productive work station.

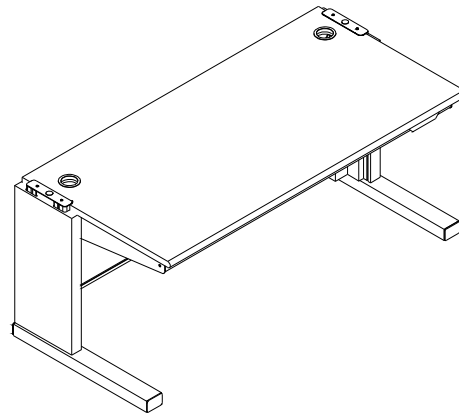
TO BEGIN:

- (1) Measure the allocated space, making sure to accurately note door, window, electrical outlets and building column locations.
- (2) Determine personnel requirements; standing, sitting or both? Any unusual needs?
- (3) Specify features important for operational requirements, equipment being used, tools, parts, ESD requirements.

At any time, contact a local Kewaunee sales representative or authorized Kewaunee Dealer in your area from a nationwide service network to provide you with assistance in determining your exact requirements.

SELECTION AND ORDERING GUIDE

- AJUSTAbench can be programmed to recall three specific settings for quick, pre-set repositioning from shift to shift.
- Intelligent column design provides infinite adjustment of accessories above the worksurface.
- The weight capacity for the worksurface is 1,000 lbs.
- All Accessories available for Evolution may be used on the ADJUSTAbench.
- Shelves and worksurface move as one, maintaining an ergonomic relationship.
- The adjustable height range for the worksurface is 28” to 44.”
- Factory Assembly is available for an additional \$175 per bench and must be specified as a separate line item.



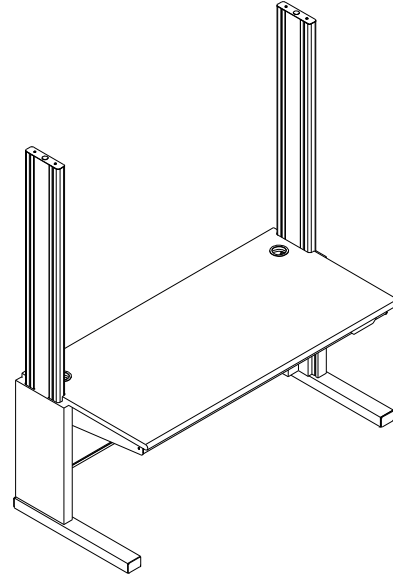
Low Column Workstation (unassembled)

Description	Model #	Ship Wgt.
30” Deep		
30”D x 36”W x 28”-44”H	623036__	451
30”D x 48”W x 28”-44”H	623048__	463
30”D x 60”W x 28”-44”H	623060__	475
30”D x 72”W x 28”-44”H	623072__	487
36” Deep		
36”D X 36”W X 28”-44”H	623636__	455
36”D X 48”W X 28”-44”H	623648__	467
36”D X 60”W X 28”-44”H	623660__	479
36”D X 72”W X 28”-44”H	623672__	491

ESD Low Column Workstation (unassembled)

Description	Model #	Ship Wgt.
30” Deep		
30”D X 36”W X 28”-44”H	623036E__	451
30”D X 48”W X 28”-44”H	623048E__	463
30”D X 60”W X 28”-44”H	623060E__	475
30”D X 72”W X 28”-44”H	623072E__	487
36” Deep		
36”D X 36”W X 28”-44”H	623636E__	455
36”D X 48”W X 28”-44”H	623648E__	467
36”D X 60”W X 28”-44”H	623660E__	479
36”D X 72”W X 28”-44”H	623672E__	491

- The height of the column moves up as the worksurface goes up, therefore when a high column workstation is at it's lowest point it is 76"H and when the worksurface is at it's highest point it becomes 92"H.
- Overhead clearance must be considered.



High Column Workstation (unassembled)

Description	Model #	Ship Wgt.
30" Deep		
30"D X 36"W X 76"-92"H	613036__	476
30"D X 48"W X 76"-92"H	613048__	488
30"D X 60"W X 76"-92"H	613060__	500
30"D X 72"W X 76"-92"H	613072__	512
36" Deep		
36"D X 36"W X 76"-92"H	613636__	480
36"D X 48"W X 76"-92"H	613648__	492
36"D X 60"W X 76"-92"H	613660__	504
36"D X 72"W X 76"-92"H	613672__	516

ESD High Column Workstation (unassembled)

Description	Model #	Ship Wgt.
30" Deep		
30"D X 36"W X 76"-92"H	613036E__	476
30"D X 48"W X 76"-92"H	613048E__	488
30"D X 60"W X 76"-92"H	613060E__	500
30"D X 72"W X 76"-92"H	613072E__	512
36" Deep		
36"D X 36"W X 76"-92"H	613636E__	480
36"D X 48"W X 76"-92"H	613648E__	492
36"D X 60"W X 76"-92"H	613660E__	504
36"D X 72"W X 76"-92"H	613672E__	516