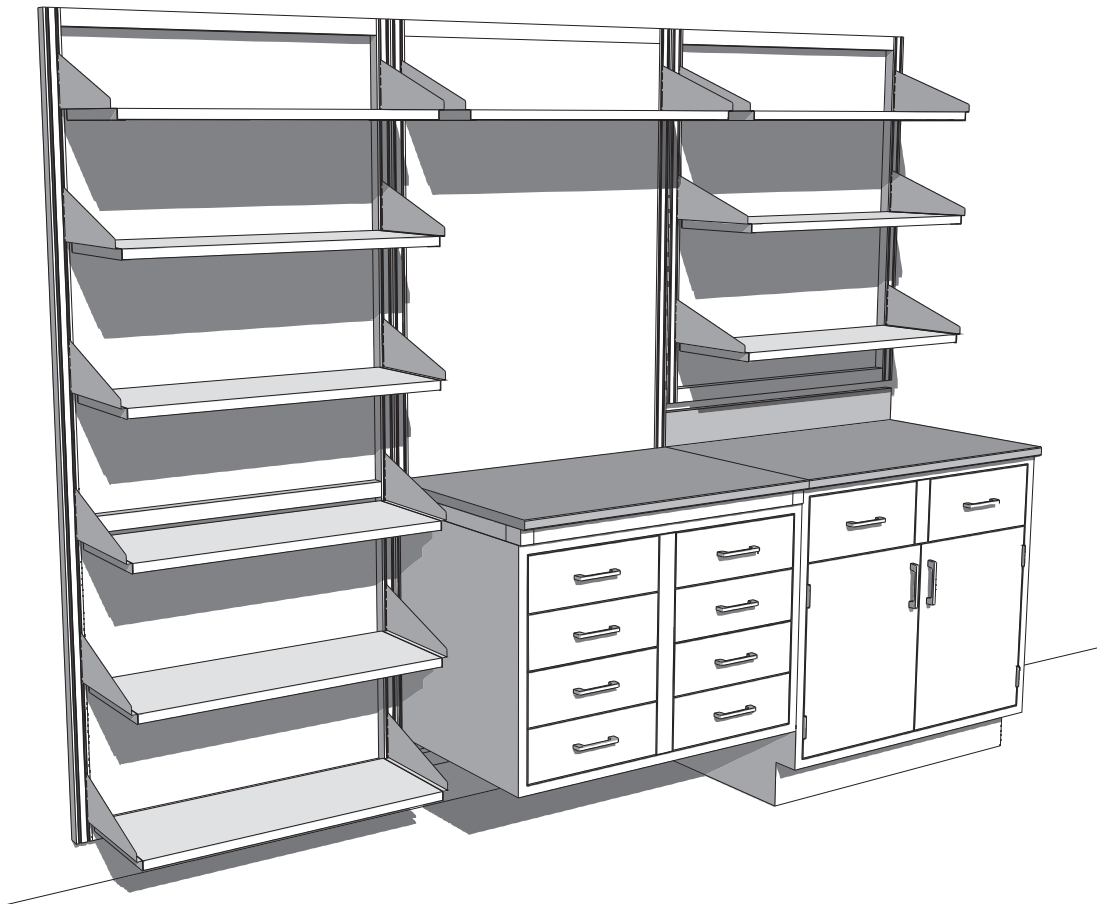


## Wall Hanging System

### Features:

- Wall Hanging System provides support for a broad combination of accessories, including:
  - adjustable worksurface frames
  - hanging cabinetry — upper and lower
  - adjustable shelving
  - lighting
  - tackboards and markerboards
  - pegboards
- Double Slotted Vertical Uprights match uprights of Alpha modules allowing component interchangeability.
- Available full-height or may be used above floor mounted furniture.
- System design allows shelving to be suspended both above and below the worksurface.
- Wall Hanging System provides support where no plumbing services are required.
- Vertical Uprights mount easily on 8 foot support rails at 6" intervals. Rails may be easily cut to required lengths.
- Available with easy to remove cover panels — either painted steel or fabric covered.



# Wall Hanging System Uprights & Rails

## Specifications:

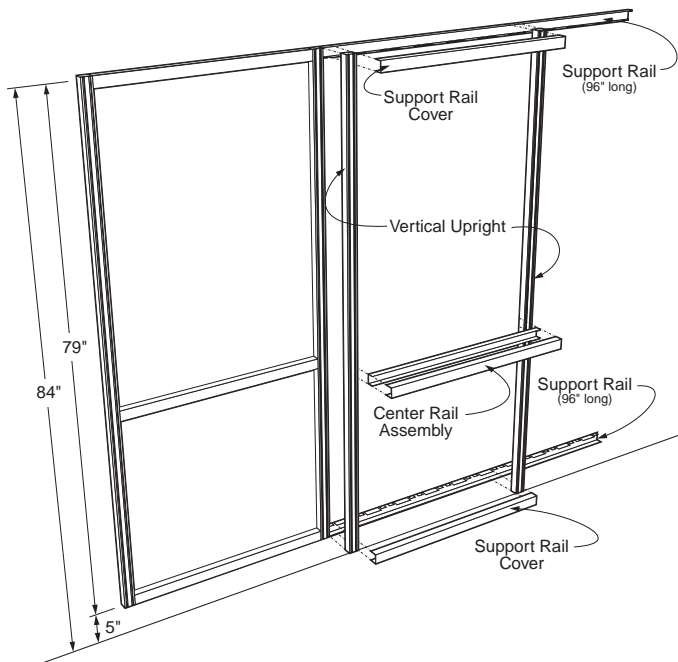
**Vertical Uprights** are 1 1/4" deep and either 79" or 42" high. They are manufactured with a double-slotted face with slots on 1" centers. They are designed to be mounted between two Support Rails to hold accurate spacing.

**Support Rails** are available in 8 foot lengths and may be cut to the required length. Support Rails are notched on 6" centers to accept the Vertical Uprights.

**Support Rail Covers** are required to finish the assembly and must be ordered in pairs to match the Vertical Upright spacing.

**Optional Center Rails** may be ordered to provide a horizontal member at counter top height. They should be sized to match the Vertical Upright spacing.

## Full Height Wall Suspension System



### Vertical Upright

**F10M0279-00** 79"H pair

### Support Rail

**F11M0196-00** 96"L each

### Support Rail Covers

**F11M0324-00** 24"L pair

**F11M0330-00** 30"L pair

**F11M0336-00** 36"L pair

**F11M0342-00** 42"L pair

**F11M0348-00** 48"L pair

**F11M0354-00** 54"L pair

**F11M0360-00** 60"L pair

**F11M0366-00** 66"L pair

**F11M0372-00** 72"L pair

### Optional Center Rail Assembly

**F11M0224-00** 24"L each

**F11M0230-00** 30"L each

**F11M0236-00** 36"L each

**F11M0242-00** 42"L each

**F11M0248-00** 48"L each

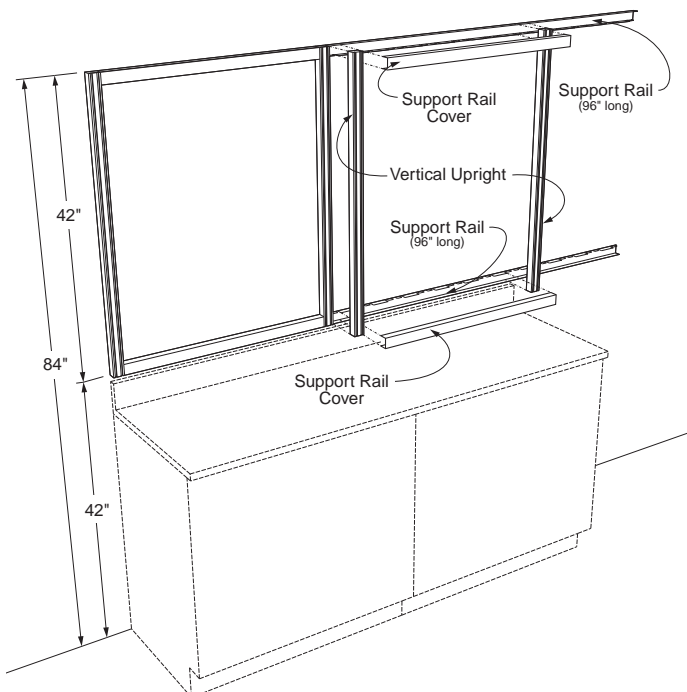
**F11M0254-00** 54"L each

**F11M0260-00** 60"L each

**F11M0266-00** 66"L each

**F11M0272-00** 72"L each

## Above Countertop Wall Suspension System



### Vertical Upright

**F10M0242-00** 42"H pair

### Support Rail

**F11M0196-00** 96"L each

### Support Rail Covers

**F11M0324-00** 24"L pair

**F11M0330-00** 30"L pair

**F11M0336-00** 36"L pair

**F11M0342-00** 42"L pair

**F11M0348-00** 48"L pair

**F11M0354-00** 54"L pair

**F11M0360-00** 60"L pair

**F11M0366-00** 66"L pair

**F11M0372-00** 72"L pair

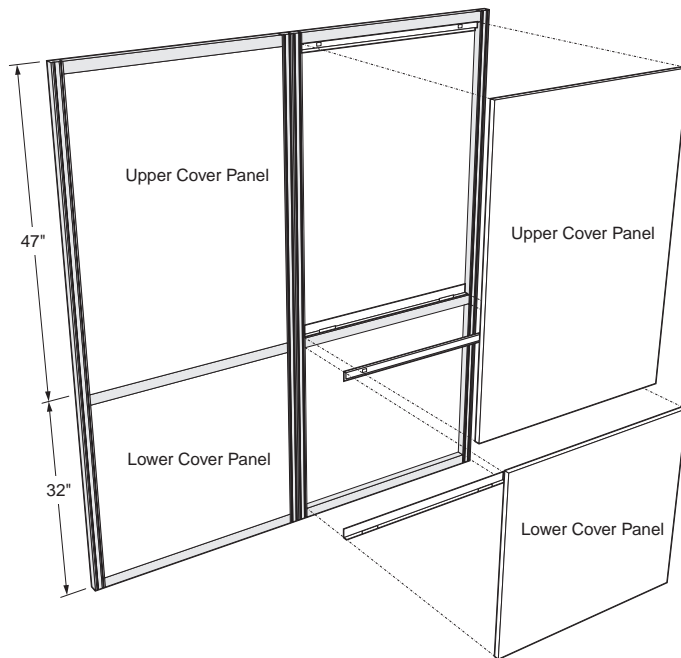
# Wall Hanging System Cover Panels

## Specifications:

**Cover Panels** are available in either painted steel or fabric covered cellulose board. They are designed to mount flush with the face of the Vertical Uprights to provide a smooth, even wall surface. Each panel is furnished complete with mounting brackets and hardware to allow it to easily snap into place without use of tools.

Cover Panels for the Full Height Wall Suspension System are separated into Upper and Lower Panels and require the Optional Center Rail Assembly. They may be used individually or as a pair. The Above Countertop Wall Suspension System uses a single Cover Panel. Size Cover Panels to match the Vertical Upright spacing.

### Upper Cover Panels for 79" Uprights

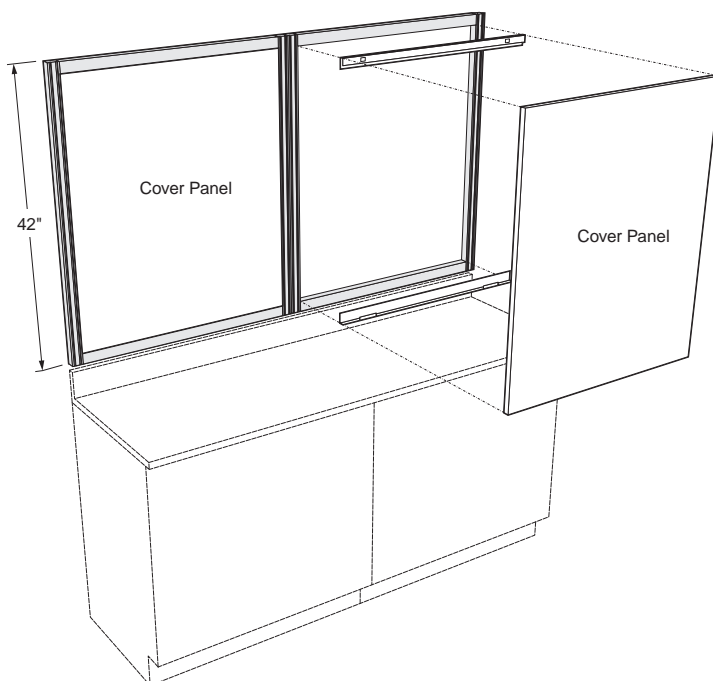


Steel Panels	Fabric Panels	(45 <sup>3</sup> / <sub>8</sub> " High)
F76M4724-00	F76F4724-00	24"L each
F76M4730-00	F76F4730-00	30"L each
F76M4736-00	F76F4736-00	36"L each
F76M4742-00	F76F4742-00	42"L each
F76M4748-00	F76F4748-00	48"L each
F76M4754-00	F76F4754-00	54"L each
F76M4760-00	F76F4760-00	60"L each
F76M4766-00	F76F4766-00	66"L each
F76M4772-00	F76F4772-00	72"L each

### Lower Cover Panels for 79" Uprights

Steel Panels	Fabric Panels	(28 <sup>3</sup> / <sub>4</sub> " High)
F76M3224-00	F76F3224-00	24"L each
F76M3230-00	F76F3230-00	30"L each
F76M3236-00	F76F3236-00	36"L each
F76M3242-00	F76F3242-00	42"L each
F76M3248-00	F76F3248-00	48"L each
F76M3254-00	F76F3254-00	54"L each
F76M3260-00	F76F3260-00	60"L each
F76M3266-00	F76F3266-00	66"L each
F76M3272-00	F76F3272-00	72"L each

### Cover Panels for 42" Uprights



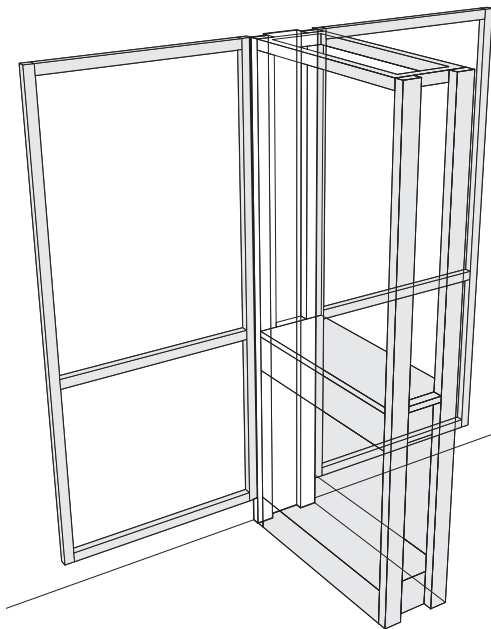
Steel Panels	Fabric Panels	(38 <sup>3</sup> / <sub>4</sub> " High)
F76M4224-00	F76F4224-00	24"L each
F76M4230-00	F76F4230-00	30"L each
F76M4236-00	F76F4236-00	36"L each
F76M4242-00	F76F4242-00	42"L each
F76M4248-00	F76F4248-00	48"L each
F76M4254-00	F76F4254-00	54"L each
F76M4260-00	F76F4260-00	60"L each
F76M4266-00	F76F4266-00	66"L each
F76M4272-00	F76F4272-00	72"L each

# Wall Hanging System Peninsula Modules

## Specifications:

Peninsula Modules allow 6" and 12" Island Modules to be joined to the Wall Hanging System. They are available in three heights, 36", 46", or 84" to match the 6" and 12" Island Structural Modules. Peninsula Modules are formed from cold rolled steel and are finished to match the adjacent modules, uprights and rails.

### 12" Island Peninsula Module



#### 12" Peninsula Module

Height	Part Number
36"	<b>F42M3601-00</b>
46"	<b>F42M4601-00</b>
84"	<b>F42M8401-00</b>

#### 6" Peninsula Module

Height	Part Number
36"	<b>F46M3601-00</b>
46"	<b>F46M4601-00</b>
84"	<b>F46M8401-00</b>

### 6" Partition Peninsula Module

