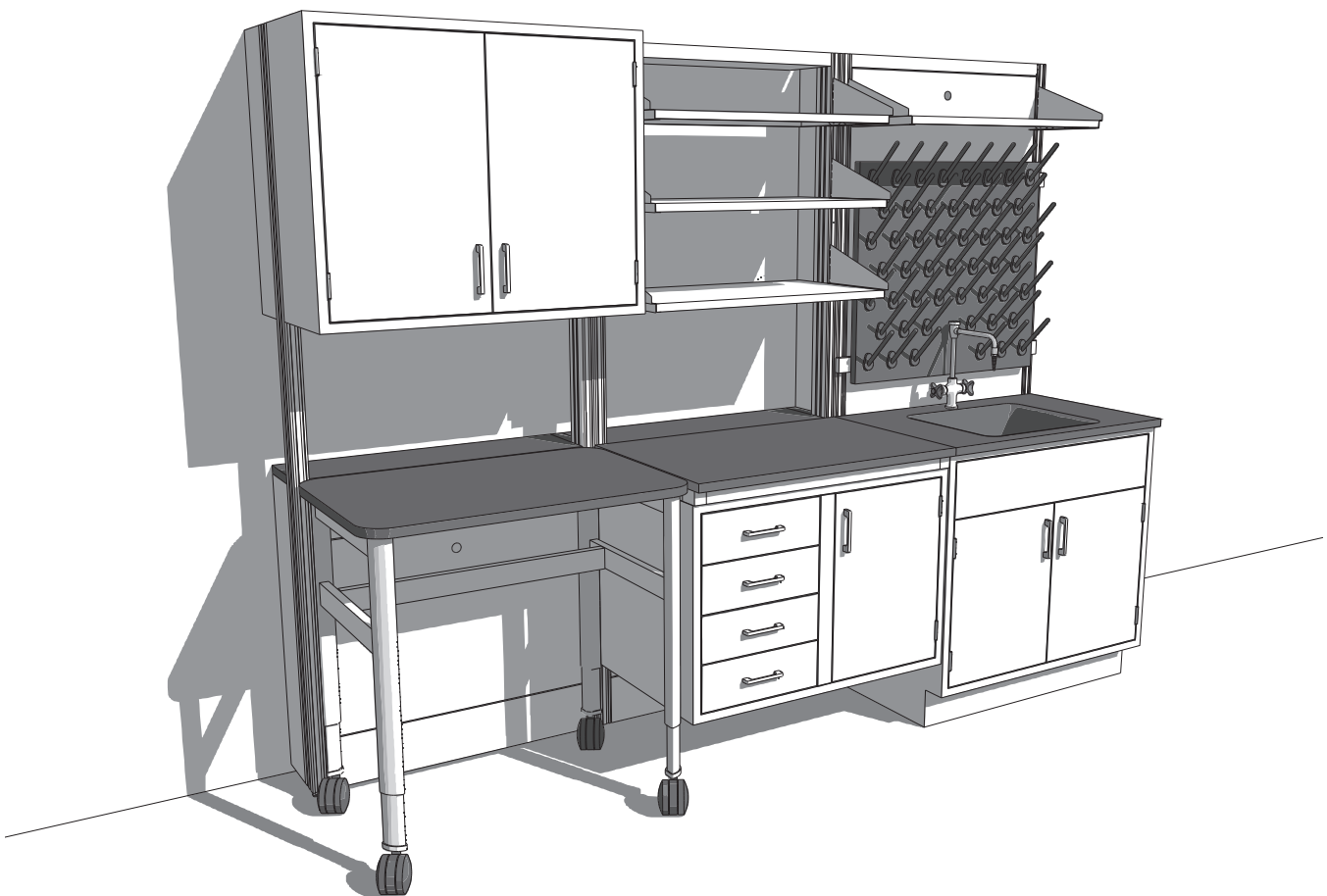


9" Wall Structural Modules

Features:

- 9" Wall Structural Modules provide support for a wide combination of accessories, including:
 - adjustable worksurface frames
 - adjustable tables
 - hanging cabinetry - upper and lower
 - floor mounted cabinetry
 - adjustable shelving
 - lighting
 - electrical and plumbing raceway
 - service drops
 - tackboards and markerboards
 - pegboards
- 9" Wall Structural Modules provide 6" of service space and are built to receive standard pipe hangers for ease of installing service piping and electrical conduit.
- System design allows shelving to be suspended both above and below the worksurface.
- Easy and positive structural alignment and attachment to adjacent modules.
- Available with easy to remove access panels. May be ordered without access panels for use with floor mounted base cabinets.



9" Wall Structural Modules

Specifications:

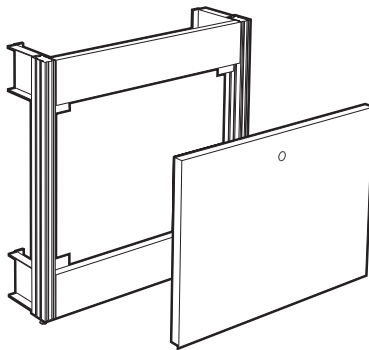
9" Wall Modules are 37" high, with Upper Carrier, 84" high. Both are 9" deep and available in lengths shown.

Modules are available with or without Access Panels. Order without when used with floor mounted base cabinets.

Each module is furnished with hardware for attaching adjacent modules. Wall anchors are not included.

Module Ledge must be ordered separately.

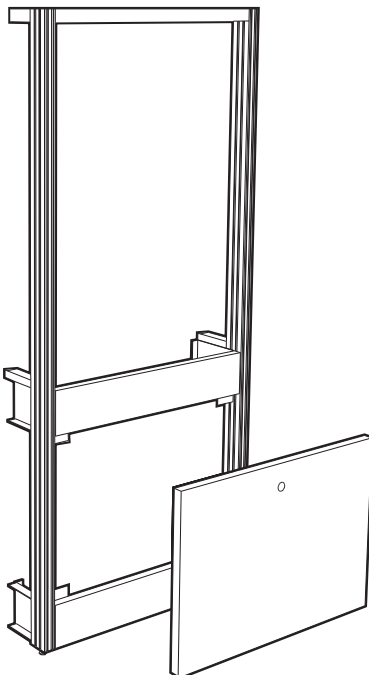
9" Deep Standard Wall Module – 37" High



Length	with Access Panel	without Access Panel
24"	F04M3724-00	F04-3724-00
30"	F04M3730-00	F04-3730-00
36"	F04M3736-00	F04-3736-00
42"	F04M3742-00	F04-3742-00
48"	F04M3748-00 *	F04-3748-00
54"	F04M3754-00 *	F04-3754-00
60"	F04M3760-00 *	F04-3760-00
66"	F04M3766-00 *	F04-3766-00
72"	F04M3772-00 *	F04-3772-00

* Modules 48" long and over are provided with two half-length Access Panels.

9" Deep Standard Wall Module with Upper Carrier – 84" High



Length	with Access Panel	without Access Panel
24"	F34M3724-00	F34-3724-00
30"	F34M3730-00	F34-3730-00
36"	F34M3736-00	F34-3736-00
42"	F34M3742-00	F34-3742-00
48"	F34M3748-00 *	F34-3748-00
54"	F34M3754-00 *	F34-3754-00
60"	F34M3760-00 *	F34-3760-00
66"	F34M3766-00 *	F34-3766-00
72"	F34M3772-00 *	F34-3772-00

* Modules 48" long and over are provided with two half-length Access Panels.

9" Wall Structural Modules

Specifications:

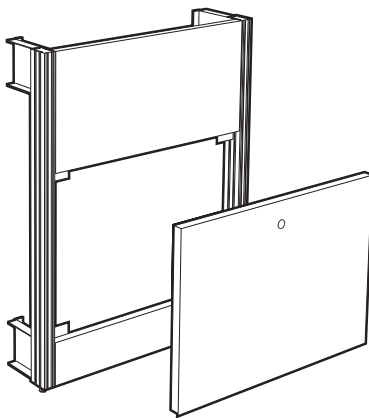
Service Riser Wall Modules are 47" high, with Upper Carrier, 84" high. Both are 9" deep and in lengths shown.

Modules are available with or without Access Panels. Order without when used with floor mounted base cabinets.

Each module is furnished with hardware for attaching adjacent modules. Wall anchors are not included.

Module Ledge must be ordered separately.

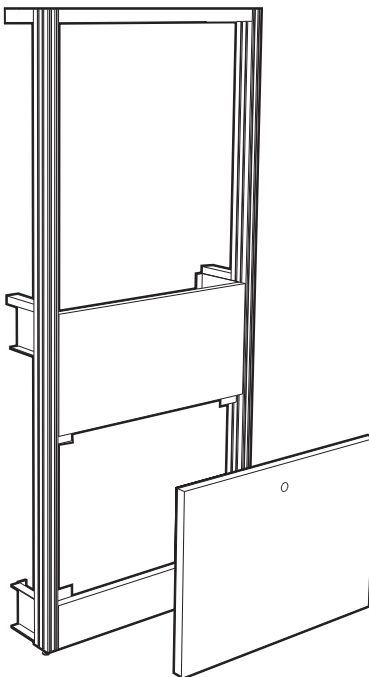
9" Deep Service Riser Wall Module – 47" High



Length	with Access Panel	without Access Panel
24"	F04M4724-00	F04-4724-00
30"	F04M4730-00	F04-4730-00
36"	F04M4736-00	F04-4736-00
42"	F04M4742-00	F04-4742-00
48"	F04M4748-00 *	F04-4748-00
54"	F04M4754-00 *	F04-4754-00
60"	F04M4760-00 *	F04-4760-00
66"	F04M4766-00 *	F04-4766-00
72"	F04M4772-00 *	F04-4772-00

* Modules 48" long and over are provided with two half-length Access Panels.

9" Deep Service Riser Wall Module with Upper Carrier – 84" High



Length	with Access Panel	without Access Panel
24"	F34M4724-00	F34-4724-00
30"	F34M4730-00	F34-4730-00
36"	F34M4736-00	F34-4736-00
42"	F34M4742-00	F34-4742-00
48"	F34M4748-00 *	F34-4748-00
54"	F34M4754-00 *	F34-4754-00
60"	F34M4760-00 *	F34-4760-00
66"	F34M4766-00 *	F34-4766-00
72"	F34M4772-00 *	F34-4772-00

* Modules 48" long and over are provided with two half-length Access Panels.

9" Wall Structural Modules

Specifications:

9" Wall Modules are 37" high, with Upper Carrier, 84" high. Both are 9" deep and available in lengths shown.

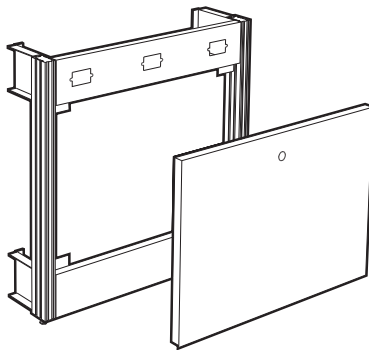
Modules are available with or without Access Panels. Order without when used with floor mounted base cabinets.

24" and 30" long modules have two single-gang electric box cutouts, all other sizes have three.

Each module is furnished with hardware for attaching adjacent modules. Wall anchors are not included.

Module Ledge must be ordered separately.

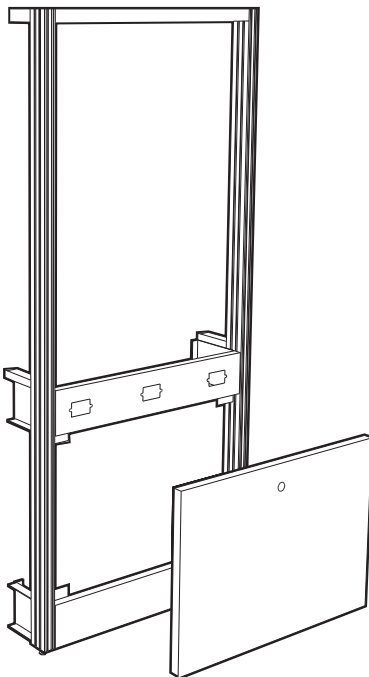
9" Deep Standard Wall Module with Electric Cutouts - 37" High



Length	with Access Panel	without Access Panel
24"	F04M3724-E0	F04-3724-E0
30"	F04M3730-E0	F04-3730-E0
36"	F04M3736-E0	F04-3736-E0
42"	F04M3742-E0	F04-3742-E0
48"	F04M3748-E0 *	F04-3748-E0
54"	F04M3754-E0 *	F04-3754-E0
60"	F04M3760-E0 *	F04-3760-E0
66"	F04M3766-E0 *	F04-3766-E0
72"	F04M3772-E0 *	F04-3772-E0

* Modules 48" long and over are provided with two half-length Access Panels.

9" Deep Standard Wall Module with Electric Cutouts & Upper Carrier - 84" High



Length	with Access Panel	without Access Panel
24"	F34M3724-E0	F34-3724-E0
30"	F34M3730-E0	F34-3730-E0
36"	F34M3736-E0	F34-3736-E0
42"	F34M3742-E0	F34-3742-E0
48"	F34M3748-E0 *	F34-3748-E0
54"	F34M3754-E0 *	F34-3754-E0
60"	F34M3760-E0 *	F34-3760-E0
66"	F34M3766-E0 *	F34-3766-E0
72"	F34M3772-E0 *	F34-3772-E0

* Modules 48" long and over are provided with two half-length Access Panels.

9" Wall Structural Modules

Specifications:

Service Riser Wall Modules are 47" high, with Upper Carrier, 84" high. Both are 9" deep and in lengths shown.

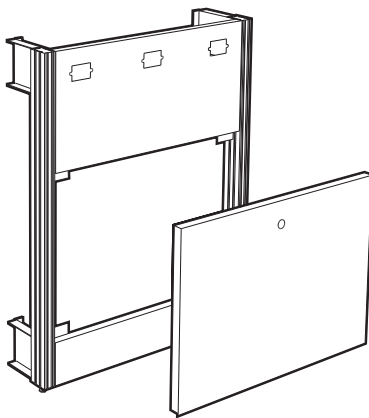
Modules are available with or without Access Panels. Order without when used with floor mounted base cabinets.

24" and 30" long modules have two single-gang electric box cutouts, all other sizes have three.

Each module is furnished with hardware for attaching adjacent modules. Wall anchors are not included.

Module Ledge must be ordered separately.

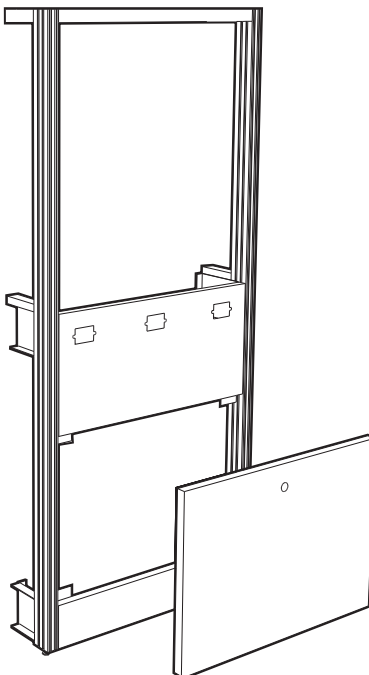
9" Deep Service Riser Wall Module with Electric Cutouts - 47" High



Length	with Access Panel	without Access Panel
24"	F04M4724-E0	F04-4724-E0
30"	F04M4730-E0	F04-4730-E0
36"	F04M4736-E0	F04-4736-E0
42"	F04M4742-E0	F04-4742-E0
48"	F04M4748-E0 *	F04-4748-E0
54"	F04M4754-E0 *	F04-4754-E0
60"	F04M4760-E0 *	F04-4760-E0
66"	F04M4766-E0 *	F04-4766-E0
72"	F04M4772-E0 *	F04-4772-E0

* Modules 48" long and over are provided with two half-length Access Panels.

9" Deep Service Riser Wall Module with Electric Cutouts & Upper Carrier - 84" High



Length	with Access Panel	without Access Panel
24"	F34M4724-E0	F34-4724-E0
30"	F34M4730-E0	F34-4730-E0
36"	F34M4736-E0	F34-4736-E0
42"	F34M4742-E0	F34-4742-E0
48"	F34M4748-E0 *	F34-4748-E0
54"	F34M4754-E0 *	F34-4754-E0
60"	F34M4760-E0 *	F34-4760-E0
66"	F34M4766-E0 *	F34-4766-E0
72"	F34M4772-E0 *	F34-4772-E0

* Modules 48" long and over are provided with two half-length Access Panels.

9" Wall Structural Modules

Specifications:

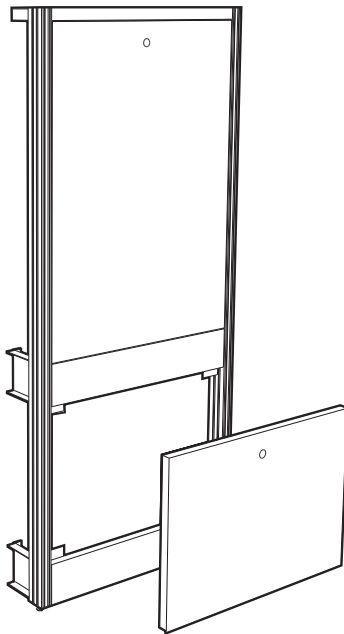
9" Wall Modules with Paneled Upper Carrier are the same as standard 9" Wall Modules; except, they are furnished with an easy to remove panel to close off the area between the upper carrier uprights.

When ordered with electric cutouts, 24" and 30" long modules have two single-gang electric box cutouts, all other sizes have three.

Each module is furnished with hardware for attaching to adjacent modules. Wall anchors are not included.

Module Ledge is not required.

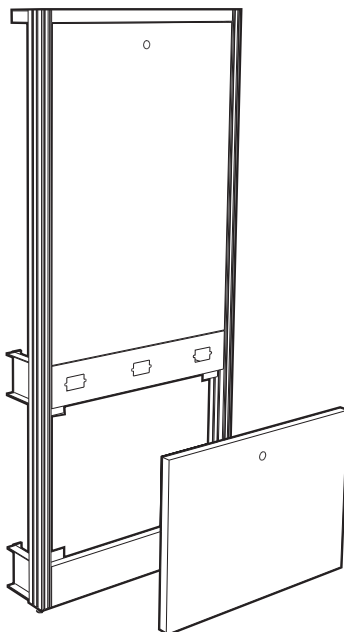
9" Deep Standard Wall Module with Paneled Upper Carrier – 84" High



Length	with Lower Access Panel	without Lower Access Panel
24"	F35M3724-00	F35-3724-00
30"	F35M3730-00	F35-3730-00
36"	F35M3736-00	F35-3736-00
42"	F35M3742-00	F35-3742-00
48"	F35M3748-00 *	F35-3748-00 *
54"	F35M3754-00 *	F35-3754-00 *
60"	F35M3760-00 *	F35-3760-00 *
66"	F35M3766-00 *	F35-3766-00 *
72"	F35M3772-00 *	F35-3772-00 *

* Modules 48" long and over are provided with half-length removable panels.

9" Deep Standard Wall Module with Electric Cutouts & Paneled Upper Carrier – 84" High



Length	with Lower Access Panel	without Lower Access Panel
24"	F35M3724-E0	F35-3724-E0
30"	F35M3730-E0	F35-3730-E0
36"	F35M3736-E0	F35-3736-E0
42"	F35M3742-E0	F35-3742-E0
48"	F35M3748-E0 *	F35-3748-E0 *
54"	F35M3754-E0 *	F35-3754-E0 *
60"	F35M3760-E0 *	F35-3760-E0 *
66"	F35M3766-E0 *	F35-3766-E0 *
72"	F35M3772-E0 *	F35-3772-E0 *

* Modules 48" long and over are provided with half-length removable panels.

9" Wall Structural Modules

Specifications:

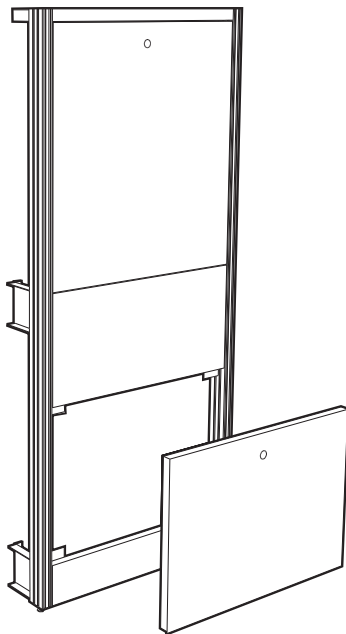
Service Riser Wall Modules with Paneled Upper Carrier are the same as standard Service Riser Wall Modules; except, they are furnished with an easy to remove panel to close off the area between the upper carrier uprights.

When ordered with electric cutouts, 24" and 30" long modules have two single-gang electric box cutouts, all other sizes have three.

Each module is furnished with hardware for attaching to adjacent modules. Wall anchors are not included.

Module Ledge is not required.

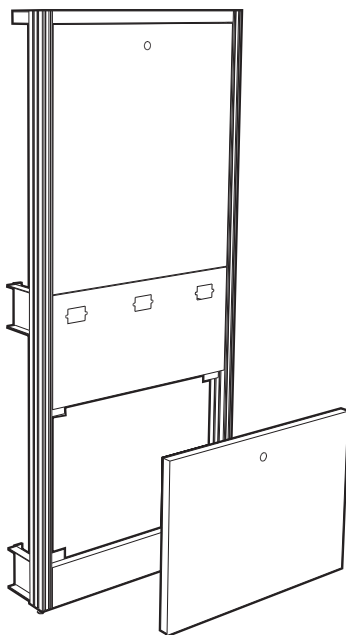
9" Deep Service Riser Wall Module with Paneled Upper Carrier – 84" High



Length	with Lower Access Panel	without Lower Access Panel
24"	F35M4724-00	F35-4724-00
30"	F35M4730-00	F35-4730-00
36"	F35M4736-00	F35-4736-00
42"	F35M4742-00	F35-4742-00
48"	F35M4748-00 *	F35-4748-00 *
54"	F35M4754-00 *	F35-4754-00 *
60"	F35M4760-00 *	F35-4760-00 *
66"	F35M4766-00 *	F35-4766-00 *
72"	F35M4772-00 *	F35-4772-00 *

* Modules 48" long and over are provided with half-length removable panels.

9" Deep Service Riser Wall Module with Electric Cutouts & Paneled Upper Carrier – 84" High



Length	with Lower Access Panel	without Lower Access Panel
24"	F35M4724-E0	F35-4724-E0
30"	F35M4730-E0	F35-4730-E0
36"	F35M4736-E0	F35-4736-E0
42"	F35M4742-E0	F35-4742-E0
48"	F35M4748-E0 *	F35-4748-E0 *
54"	F35M4754-E0 *	F35-4754-E0 *
60"	F35M4760-E0 *	F35-4760-E0 *
66"	F35M4766-E0 *	F35-4766-E0 *
72"	F35M4772-E0 *	F35-4772-E0 *

* Modules 48" long and over are provided with half-length removable panels.

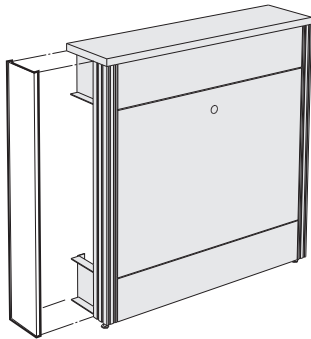
9" Wall Structural Modules

Specifications:

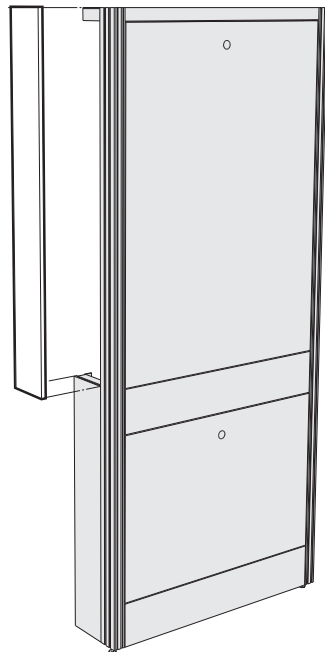
Wall Module End Fillers are designed to close off the end of Wall Modules to offer a more finished appearance. They are available in a variety of sizes that may be combined to cover the entire end of the assembly or just a portion.

Wall Module End Fillers are provided with all required installation hardware.

9" Deep Wall Module End Fillers



Height	Lower Filler
35"	F00M0936-00
45"	F00M0946-00



Height	Upper Filler
24"	F00M0924-00
30"	F00M0930-00
38"	F00M0938-00
48"	F00M0948-00