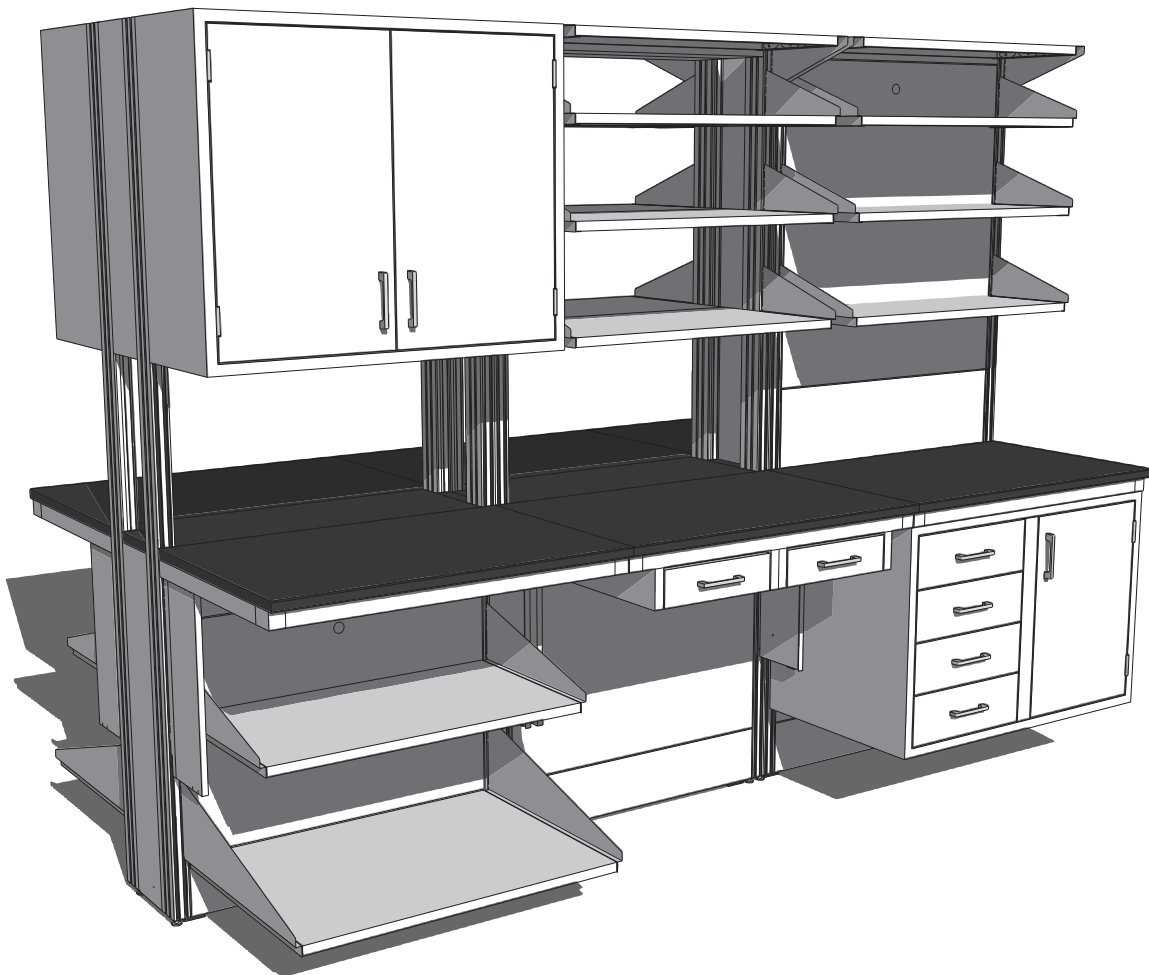


Shelving - Worksurface & Table Frames

Features:

- Adjustable Module Shelving
 - available in five depths
 - available in steel, wood, and phenolic resin
 - available with and without retaining lips
 - adjustable on 1" increments
 - may be mounted above or below worksurface frames
- Adjustable Core Shelving
 - adjustable on 1" increments
 - spring pin adjustment
 - available in steel only
- Adjustable Height Cantilevered Worksurface Frame
 - supports Worksurface Top and Suspended Base Cabinets
 - fabricated of 1⁵/₈" steel channels
 - easily positioned on 1" increments
- Adjustable Height Mobile Table Frame



Adjustable Module Shelving

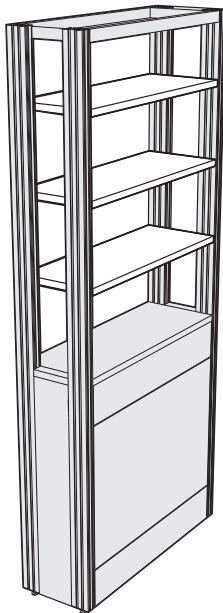
Specifications:

Upper Carrier Module Adjustable Core Shelves are formed of 16 gauge cold rolled steel. They are supported by four Support Clips that engage the side slots on the Module Uprights making the shelves infinitely adjustable. Not available for 3" or 9" deep Wall Modules.

Adjustable Top Shelves are formed of 16 gauge cold rolled steel and are supported from below by 11 gauge steel brackets that engage the outer slot of the double slotted Structure Module Upright. Designed to be used at the top of the Module Upper Carrier.

Upper Carrier Module Adjustable Core Shelves

Core Shelf Support Clip



Length	Core Shelf
24"	F29M1224-01
30"	F29M1230-01
36"	F29M1236-01
42"	F29M1242-01
48"	F29M1248-01
54"	F29M1254-01
60"	F29M1260-01
66"	F29M1266-01
72"	F29M1272-01

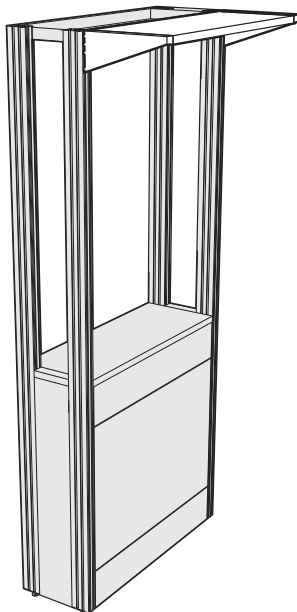


F69-0201-00 pair

May also be used to add support to Pass-Thru Shelves. Furnished in pairs with bolt and nut to attach to side slots in Module Uprights.

Furnished standard with Upper Carrier Module Adjustable Core Shelves.

Upper Carriers Module Adjustable Top Shelves



Length	12" Deep	9" Deep
24"	F28M1224-00	F28M0924-00
30"	F28M1230-00	F28M0930-00
36"	F28M1236-00	F28M0936-00
42"	F28M1242-00	F28M0942-00
48"	F28M1248-00	F28M0948-00
54"	F28M1254-00	F28M0954-00
60"	F28M1260-00	F28M0960-00
66"	F28M1266-00	F28M0966-00
72"	F28M1272-00	F28M0972-00

Adjustable Module Shelf Assembly

Specifications:

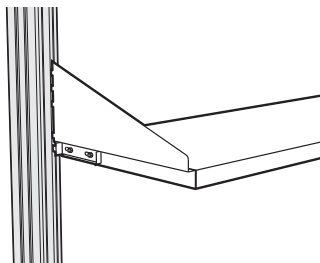
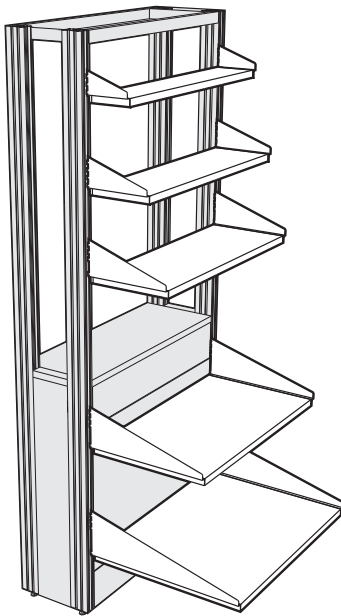
Adjustable Module Shelf Assemblies consist of a pair of 11 gauge steel Shelf Brackets and a Shelf. The Shelf Bracket engages the inner slot of the double slotted Structural Module Upright and is adjustable on 1" centers. Shelves are available in Painted Steel, Oak or Maple veneer plywood, or Phenolic Resin.

Painted Steel Shelves – 1" thick, formed from 16 gauge cold rolled steel.

Oak & Maple Shelves – 1" thick hardwood plywood with matching veneer on all exposed surfaces.

Phenolic Resin – 1" thick phenolic resin.

Open Front Adjustable Module Shelves



Optional Shelf Locking Tab

Sliding tab mounted on Shelf Bracket locks Shelf into Module Upright to keep it from being accidentally removed.

To specify, add an **K** to the end of the Shelf Assembly part number. Example: **F21M1236-00K**

	Length	Painted Steel	Oak Veneer	Maple Veneer	Phenolic Resin
6" DEEP SHELF 6" Deep Bracket	24"	F21M0624-00	F21W0624-01	F21W0624-02	F21T0624-00
	30"	F21M0630-00	F21W0630-01	F21W0630-02	F21T0630-00
	36"	F21M0636-00	F21W0636-01	F21W0636-02	F21T0636-00
	42"	F21M0642-00	F21W0642-01	F21W0642-02	F21T0642-00
	48"	F21M0648-00	F21W0648-01	F21W0648-02	F21T0648-00
	54"	F21M0654-00			
	60"	F21M0660-00			
	66"	F21M0666-00			
9" DEEP SHELF 9" Deep Bracket	72"	F21M0672-00			
	24"	F21M0924-00	F21W0924-01	F21W0924-02	F21T0924-00
	30"	F21M0930-00	F21W0930-01	F21W0930-02	F21T0930-00
	36"	F21M0936-00	F21W0936-01	F21W0936-02	F21T0936-00
	42"	F21M0942-00	F21W0942-01	F21W0942-02	F21T0942-00
	48"	F21M0948-00	F21W0948-01	F21W0948-02	F21T0948-00
	54"	F21M0954-00			
	60"	F21M0960-00			
12" DEEP SHELF 12" Deep Bracket	66"	F21M0966-00			
	72"	F21M0972-00			
	24"	F21M1224-00	F21W1224-01	F21W1224-02	F21T1224-00
	30"	F21M1230-00	F21W1230-01	F21W1230-02	F21T1230-00
	36"	F21M1236-00	F21W1236-01	F21W1236-02	F21T1236-00
	42"	F21M1242-00	F21W1242-01	F21W1242-02	F21T1242-00
	48"	F21M1248-00	F21W1248-01	F21W1248-02	F21T1248-00
	54"	F21M1254-00			
18" DEEP SHELF 18" Deep Bracket	60"	F21M1260-00			
	66"	F21M1266-00			
	72"	F21M1272-00			
	24"	F21M1824-00	F21W1824-01	F21W1824-02	F21T1824-00
	30"	F21M1830-00	F21W1830-01	F21W1830-02	F21T1830-00
	36"	F21M1836-00	F21W1836-01	F21W1836-02	F21T1836-00
	42"	F21M1842-00	F21W1842-01	F21W1842-02	F21T1842-00
	48"	F21M1848-00	F21W1848-01	F21W1848-02	F21T1848-00
24" DEEP SHELF 24" Deep Bracket	54"	F21M1854-00			
	60"	F21M1860-00			
	24"	F21M2424-00	F21W2424-01	F21W2424-02	F21T2424-00
	30"	F21M2430-00	F21W2430-01	F21W2430-02	F21T2430-00
	36"	F21M2436-00	F21W2436-01	F21W2436-02	F21T2436-00
	42"	F21M2442-00	F21W2442-01	F21W2442-02	F21T2442-00
	48"	F21M2448-00	F21W2448-01	F21W2448-02	F21T2448-00
	54"	F21M2454-00			
60"	F21M2460-00				

Adjustable Pass-Thru Shelf Assemblies

Specifications:

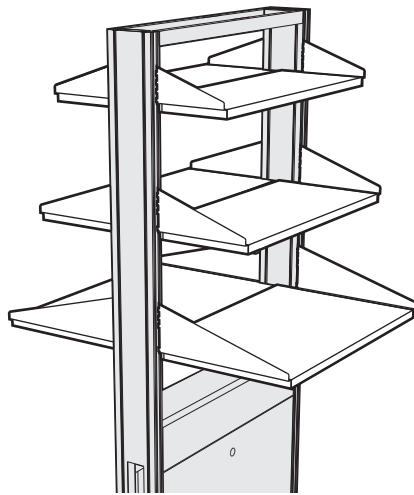
Pass-Thru Module Shelf Assemblies for 6" Partition Modules have Shelves three inches deeper than the Shelf Bracket to allow the shelf to pass through the module core and form a continuous surface. These shelves may also be moved forward and mounted to form a 2" cord gap between the shelves. Shelf Brackets are 11 gauge steel, adjustable on 1" centers.

Painted Steel Shelves – 1" thick, formed from 16 gauge cold rolled steel.

Oak & Maple Shelves – 1" thick hardwood plywood with matching veneer on all exposed surfaces.

Phenolic Resin – 1" thick phenolic resin.

Adjustable Pass-Thru Shelf Assemblies for 6" Partition Modules



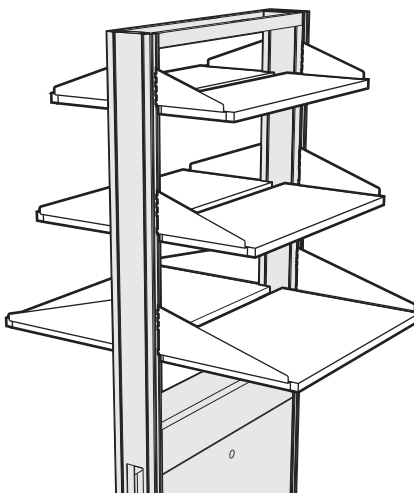
Pass-Thru Shelves

	Length	Painted Steel	Oak Veneer	Maple Veneer	Phenolic Resin
9" DEEP SHELF 6" Deep Bracket	24"	F21M0624-30	F21W0624-31	F21W0624-32	F21T0624-30
	30"	F21M0630-30	F21W0630-31	F21W0630-32	F21T0630-30
	36"	F21M0636-30	F21W0636-31	F21W0636-32	F21T0636-30
	42"	F21M0642-30	F21W0642-31	F21W0642-32	F21T0642-30
	48"	F21M0648-30	F21W0648-31	F21W0648-32	F21T0648-30
	54"	F21M0654-30			
	60"	F21M0660-30			
	66"	F21M0666-30			
	72"	F21M0672-30			

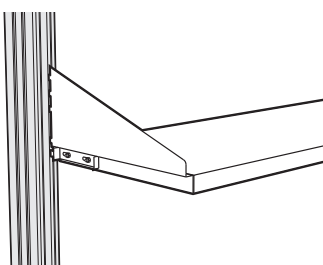
12" DEEP SHELF 9" Deep Bracket	24"	F21M0924-30	F21W0924-31	F21W0924-32	F21T0924-30
	30"	F21M0930-30	F21W0930-31	F21W0930-32	F21T0930-30
	36"	F21M0936-30	F21W0936-31	F21W0936-32	F21T0936-30
	42"	F21M0942-30	F21W0942-31	F21W0942-32	F21T0942-30
	48"	F21M0948-30	F21W0948-31	F21W0948-32	F21T0948-30
	54"	F21M0954-30			
	60"	F21M0960-30			
	66"	F21M0966-30			
	72"	F21M0972-30			

15" DEEP SHELF 12" Deep Bracket	24"	F21M1224-30	F21W1224-31	F21W1224-32	F21T1224-30
	30"	F21M1230-30	F21W1230-31	F21W1230-32	F21T1230-30
	36"	F21M1236-30	F21W1236-31	F21W1236-32	F21T1236-30
	42"	F21M1242-30	F21W1242-31	F21W1242-32	F21T1242-30
	48"	F21M1248-30	F21W1248-31	F21W1248-32	F21T1248-30
	54"	F21M1254-30			
	60"	F21M1260-30			
	66"	F21M1266-30			
	72"	F21M1272-30			

21" DEEP SHELF 18" Deep Bracket	24"	F21M1824-30	F21W1824-31	F21W1824-32	F21T1824-30
	30"	F21M1830-30	F21W1830-31	F21W1830-32	F21T1830-30
	36"	F21M1836-30	F21W1836-31	F21W1836-32	F21T1836-30
	42"	F21M1842-30	F21W1842-31	F21W1842-32	F21T1842-30
	48"	F21M1848-30	F21W1848-31	F21W1848-32	F21T1848-30
	54"	F21M1854-30			
	60"	F21M1860-30			



Pass-Thru Shelves with Cord Gap



Optional Shelf Locking Tab

Optional Shelf Locking Tab

Sliding tab mounted on Shelf Bracket locks Shelf into Module Upright to keep it from being accidentally removed.

To specify, add an **K** to the end of the Shelf Assembly part number.
Example: **F21M1236-00K**

Adjustable Pass-Thru Shelf Assemblies

Specifications:

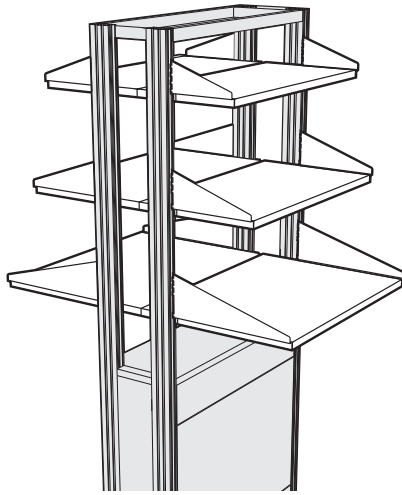
Pass-Thru Shelf Assemblies for 12" Island Modules are six inches deeper than the Shelf Bracket to allow the Shelf to pass through the module core and form a continuous surface. These shelves may also be moved forward and mounted to form a 2" cord gap between the shelves. Shelf Brackets are 11 gauge steel, adjustable on 1" centers.

Painted Steel Shelves – 1" thick, formed from 16 gauge cold rolled steel.

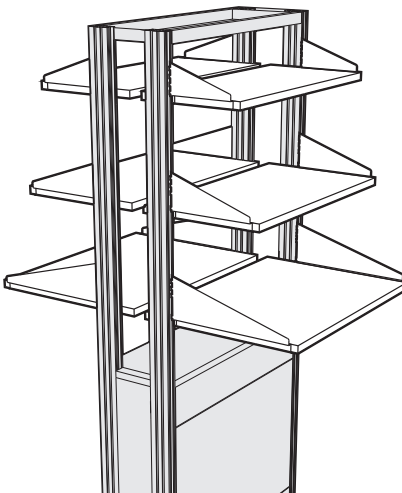
Oak & Maple Shelves – 1" thick hardwood plywood with matching veneer on all exposed surfaces.

Phenolic Resin – 1" thick phenolic resin.

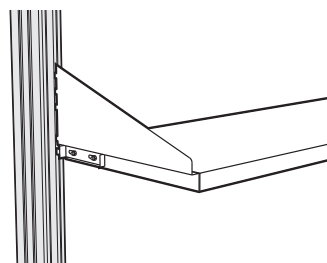
Adjustable Pass-Thru Shelf Assemblies for 12" Island Modules



Pass-Thru Shelves



Pass-Thru Shelves with Cord Gap



Optional Shelf Locking Tab

	Length	Painted Steel	Oak Veneer	Maple Veneer	Phenolic Resin
15" DEEP SHELF 9" Deep Bracket	24"	F21M0924-60	F21W0924-61	F21W0924-62	F21T0924-60
	30"	F21M0930-60	F21W0930-61	F21W0930-62	F21T0930-60
	36"	F21M0936-60	F21W0936-61	F21W0936-62	F21T0936-60
	42"	F21M0942-60	F21W0942-61	F21W0942-62	F21T0942-60
	48"	F21M0948-60	F21W0948-61	F21W0948-62	F21T0948-60
	54"	F21M0954-60			
	60"	F21M0960-60			
	66"	F21M0966-60			
	72"	F21M0972-60			
18" DEEP SHELF 12" Deep Bracket	24"	F21M1224-60	F21W1224-61	F21W1224-62	F21T1224-60
	30"	F21M1230-60	F21W1230-61	F21W1230-62	F21T1230-60
	36"	F21M1236-60	F21W1236-61	F21W1236-62	F21T1236-60
	42"	F21M1242-60	F21W1242-61	F21W1242-62	F21T1242-60
	48"	F21M1248-60	F21W1248-61	F21W1248-62	F21T1248-60
	54"	F21M1254-60			
	60"	F21M1260-60			
	66"	F21M1266-60			
	72"	F21M1272-60			
24" DEEP SHELF 18" Deep Bracket	24"	F21M1824-60	F21W1824-61	F21W1824-62	F21T1824-60
	30"	F21M1830-60	F21W1830-61	F21W1830-62	F21T1830-60
	36"	F21M1836-60	F21W1836-61	F21W1836-62	F21T1836-60
	42"	F21M1842-60	F21W1842-61	F21W1842-62	F21T1842-60
	48"	F21M1848-60	F21W1848-61	F21W1848-62	F21T1848-60
	54"	F21M1854-60			
	60"	F21M1860-60			

Optional Shelf Locking Tab

Sliding tab mounted on Shelf Bracket locks Shelf into Module Upright to keep it from being accidentally removed.

To specify, add an **K** to the end of the Shelf Assembly part number.
Example: **F21M1236-00K**

Module Shelves

Specifications:

Module Shelves are available without Shelf Brackets for custom applications and for replacement. These are the same Shelves that are furnished with Adjustable Module and Pass-Thru Shelf Assemblies except they are not furnished with Shelf Brackets or attachment hardware.

Painted Steel Shelves – 1" thick, formed from 16 gauge cold rolled steel.

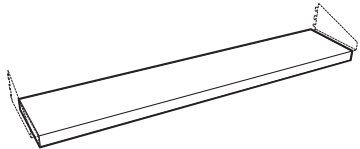



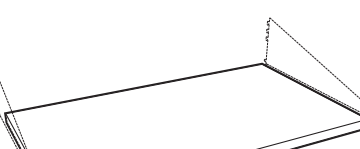
Oak & Maple Shelves – 1" thick hardwood plywood with matching veneer on all exposed surfaces.

Phenolic Resin – 1" thick phenolic resin.

Shelf Brackets are available separately.

Actual Shelf Length 3½" less than Module Length

Module Shelves without Shelf Brackets

Module Length	<i>(actual shelf length 3½" less than module length)</i>				
	Painted Steel	Oak Veneer	Maple Veneer	Phenolic Resin	
 6" DEEP	24"	F24M0624-00	F24W0624-01	F24W0624-02	F24T0624-00
	30"	F24M0630-00	F24W0630-01	F24W0630-02	F24T0630-00
	36"	F24M0636-00	F24W0636-01	F24W0636-02	F24T0636-00
	42"	F24M0642-00	F24W0642-01	F24W0642-02	F24T0642-00
	48"	F24M0648-00	F24W0648-01	F24W0648-02	F24T0648-00
	54"	F24M0654-00			
	60"	F24M0660-00			
	66"	F24M0666-00			
72"	F24M0672-00				
 9" DEEP	24"	F24M0924-00	F24W0924-01	F24W0924-02	F24T0924-00
	30"	F24M0930-00	F24W0930-01	F24W0930-02	F24T0930-00
	36"	F24M0936-00	F24W0936-01	F24W0936-02	F24T0936-00
	42"	F24M0942-00	F24W0942-01	F24W0942-02	F24T0942-00
	48"	F24M0948-00	F24W0948-01	F24W0948-02	F24T0948-00
	54"	F24M0954-00			
	60"	F24M0960-00			
	66"	F24M0966-00			
72"	F24M0972-00				
 12" DEEP	24"	F24M1224-00	F24W1224-01	F24W1224-02	F24T1224-00
	30"	F24M1230-00	F24W1230-01	F24W1230-02	F24T1230-00
	36"	F24M1236-00	F24W1236-01	F24W1236-02	F24T1236-00
	42"	F24M1242-00	F24W1242-01	F24W1242-02	F24T1242-00
	48"	F24M1248-00	F24W1248-01	F24W1248-02	F24T1248-00
	54"	F24M1254-00			
	60"	F24M1260-00			
	66"	F24M1266-00			
72"	F24M1272-00				
 15" DEEP	24"	F24M1524-00	F24W1524-01	F24W1524-02	F24T1524-00
	30"	F24M1530-00	F24W1530-01	F24W1530-02	F24T1530-00
	36"	F24M1536-00	F24W1536-01	F24W1536-02	F24T1536-00
	42"	F24M1542-00	F24W1542-01	F24W1542-02	F24T1542-00
	48"	F24M1548-00	F24W1548-01	F24W1548-02	F24T1548-00
	54"	F24M1554-00			
	60"	F24M1560-00			
 18" DEEP	24"	F24M1824-00	F24W1824-01	F24W1824-02	F24T1824-00
	30"	F24M1830-00	F24W1830-01	F24W1830-02	F24T1830-00
	36"	F24M1836-00	F24W1836-01	F24W1836-02	F24T1836-00
	42"	F24M1842-00	F24W1842-01	F24W1842-02	F24T1842-00
	48"	F24M1848-00	F24W1848-01	F24W1848-02	F24T1848-00
	54"	F24M1854-00			
	60"	F24M1860-00			

Module Shelves & Shelf Brackets

Specifications:

Module Shelves are available without Shelf Brackets for custom applications and for replacement. These are the same Shelves that are furnished with Adjustable Module and Pass-Thru Shelf Assemblies except they are not furnished with Shelf Brackets or attachment hardware.

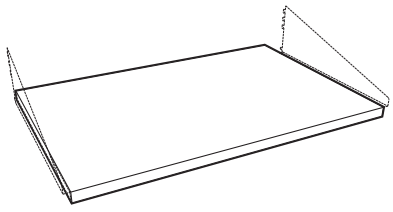
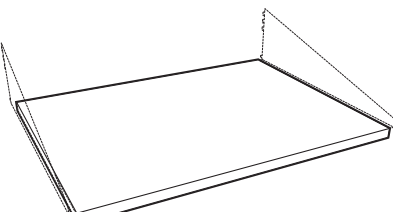
Painted Steel Shelves – 1" thick, formed from 16 gauge cold rolled steel.

Oak & Maple Shelves – 1" thick hardwood plywood with matching veneer on all exposed surfaces.

Phenolic Resin – 1" thick phenolic resin.

Shelf Brackets are available separately.

Module Shelves without Shelf Brackets

Module Length	<i>(actual shelf length 3½" less than module length)</i>			
	Painted Steel	Oak Veneer	Maple Veneer	Phenolic Resin
 21" DEEP	24" F24M2124-00	F24W2124-01	F24W2124-02	F24T2124-00
	30" F24M2130-00	F24W2130-01	F24W2130-02	F24T2130-00
	36" F24M2136-00	F24W2136-01	F24W2136-02	F24T2136-00
	42" F24M2142-00	F24W2142-01	F24W2142-02	F24T2142-00
	48" F24M2148-00	F24W2148-01	F24W2148-02	F24T2148-00
	54" F24M2154-00			
60" F24M2160-00				
 24" DEEP	24" F24M2424-00	F24W2424-01	F24W2424-02	F24T2424-00
	30" F24M2430-00	F24W2430-01	F24W2430-02	F24T2430-00
	36" F24M2436-00	F24W2436-01	F24W2436-02	F24T2436-00
	42" F24M2442-00	F24W2442-01	F24W2442-02	F24T2442-00
	48" F24M2448-00	F24W2448-01	F24W2448-02	F24T2448-00
	54" F24M2454-00			
	60" F24M2460-00			

Shelf Brackets for Steel Shelves (in pairs)

Depth	Shelf Brackets		
	w/o Locking Tabs	with Locking Tabs	
6"	F20M0306-00	F20M0306-00K	pair
9"	F20M0409-00	F20M0409-00K	pair
12"	F20M0512-00	F20M0512-00K	pair
18"	F20M0618-00	F20M0618-00K	pair
24"	F20M0724-00	F20M0724-00K	pair

Shelf Brackets for Wood & Phenolic Resin Shelves (in pairs)

Depth	Shelf Brackets		
	w/o Locking Tabs	with Locking Tabs	
6"	F20-0306-00	F20-0306-00K	pair
9"	F20-0409-00	F20-0409-00K	pair
12"	F20-0512-00	F20-0512-00K	pair
18"	F20-0618-00	F20-0618-00K	pair
24"	F20-0724-00	F20-0724-00K	pair

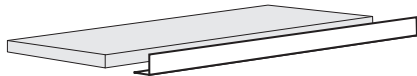
Shelves Retaining Lips & Light Fixtures

Specifications:

Shelf Retaining Lips are designed to be added to Adjustable Core Shelves, Module Shelves, Adjustable Module Shelf Assemblies, and Adjustable Pass-Thru Shelf Assemblies. Steel Shelf Lips may be mounted to steel, wood or phenolic resin shelves with supplied screws.

Under Cabinet Light Fixtures are thin-profile, specification grade, with white, painted steel housing, 1" high by 3½" deep in lengths shown. UL listed and furnished with rocker switch, single outlet, lamp, and six foot cord.

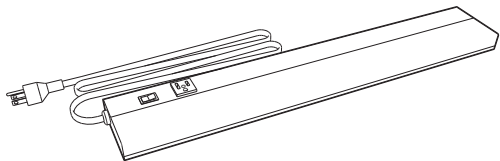
Shelf Retaining Lips



Length	Shelf Lip	
24"	F63M0224-00	each
30"	F63M0230-00	each
36"	F63M0236-00	each
42"	F63M0242-00	each
48"	F63M0248-00	each
54"	F63M0254-00	each
60"	F63M0260-00	each
66"	F63M0266-00	each
72"	F63M0272-00	each

Designed to be added to Adjustable Core Shelves, Module Shelves, Adjustable Module Shelf Assemblies, and Adjustable Pass-Thru Shelf Assemblies. Steel Shelf Lips may be mounted to steel, wood or phenolic resin shelves with supplied screws.

Task Lighting



Nominal Length	Actual Length	Light Fixture	Fit Under
24"	21¼"	F-5314-00	30" & 36" shelves
36"	34¾"	F-5316-00	42" & 48" shelves
48"	46⅛"	F-5317-00	54" & 60" shelves

Thin-profile, specification grade, with white, painted steel housing, 1" high by 3½" deep in lengths shown. UL listed and furnished with rocker switch, single outlet, lamp, and six foot cord.