

Adjustable Height Worksurface Frames

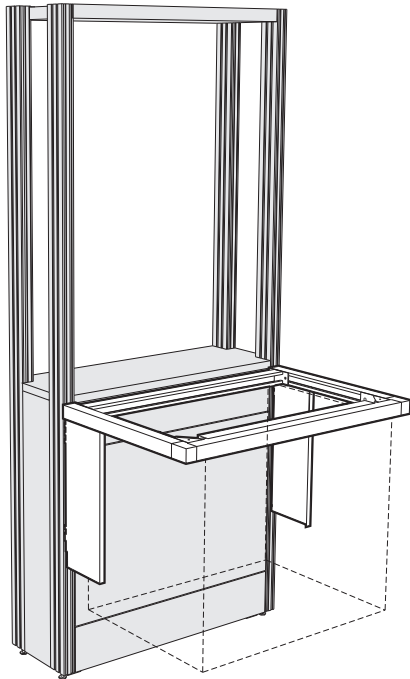
Specifications:

Adjustable Height Cantilevered Worksurface Frames engage the outer slot of the double slotted Structural Module Upright and adjusts in height on 1" increments. Fabricated from steel channels and an 11 gauge steel hanging bracket.

The Optional Adjustable Height Support Legs may be added to any Worksurface Frame to add strength. Fabricated from aluminum tubing with an adjustable glide at the bottom of the leg, they may be added or removed as required.

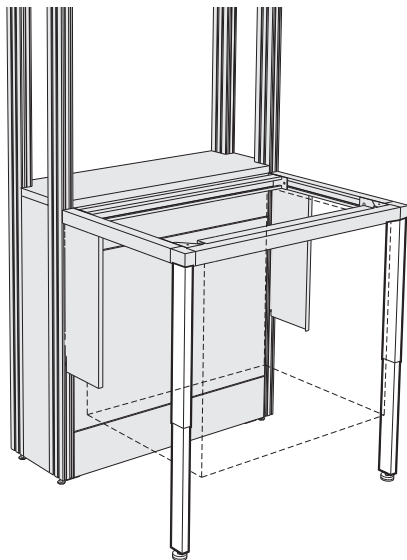
Worksurface Top must be ordered separately.

Adjustable Height Cantilevered Worksurface Frame – 23" Deep



Length	23" Deep Frame
24"	F80-2324-00
30"	F80-2330-00
36"	F80-2336-00
42"	F80-2342-00
48"	F80-2348-00
54"	F80-2354-00
60"	F80-2360-00
66"	F80-2366-00
72"	F80-2372-00

Optional Adjustable Height Support Legs



Height	
29"-36"	F88-0000-00 (pair of legs)

Adjustable Height Worksurface Frames

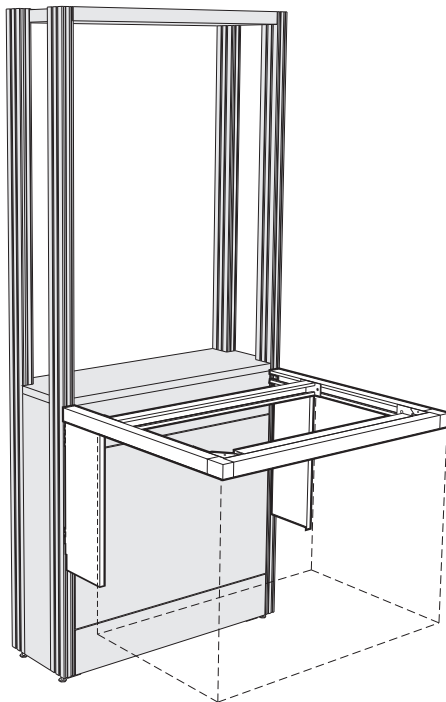
Specifications:

Adjustable Height Cantilevered Worksurface Frames engage the outer slot of the double slotted Structural Module Upright and adjusts in height on 1" increments. Fabricated from steel channels and an 11 gauge steel hanging bracket.

The Optional Adjustable Height Support Legs may be added to any Worksurface Frame to add strength. Fabricated from aluminum tubing with an adjustable glide at the bottom of the leg, they may be added or removed as required.

Worksurface Top must be ordered separately.

Adjustable Height Cantilevered Worksurface Frame – 29" Deep



Length	29" Deep Frame
24"	F80-2924-00
30"	F80-2930-00
36"	F80-2936-00
42"	F80-2942-00
48"	F80-2948-00
54"	F80-2954-00
60"	F80-2960-00
66"	F80-2966-00
72"	F80-2972-00

Adjustable Height Worksurface Frames

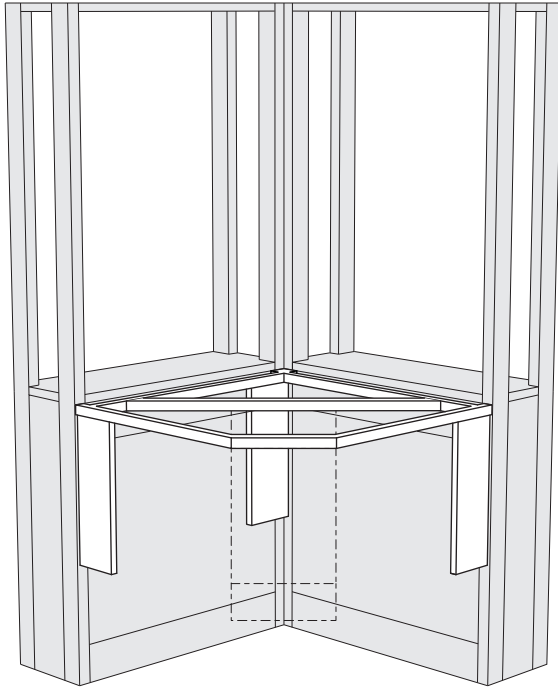
Specifications:

Adjustable Height Cantilevered Corner Worksurface Frame, same as standard Worksurface Frame except designed to be used when two Structural Modules meet to form an inside corner. Frame supports Worksurface Top and can also support a Suspended Cabinet mounted 45 degrees to the module.

The Corner Worksurface Frame Filler may be used to fill the space below the Corner Worksurface Frame when a suspended base cabinet is not used. The filler is fabricated from cold rolled steel and is finished to match the frame.

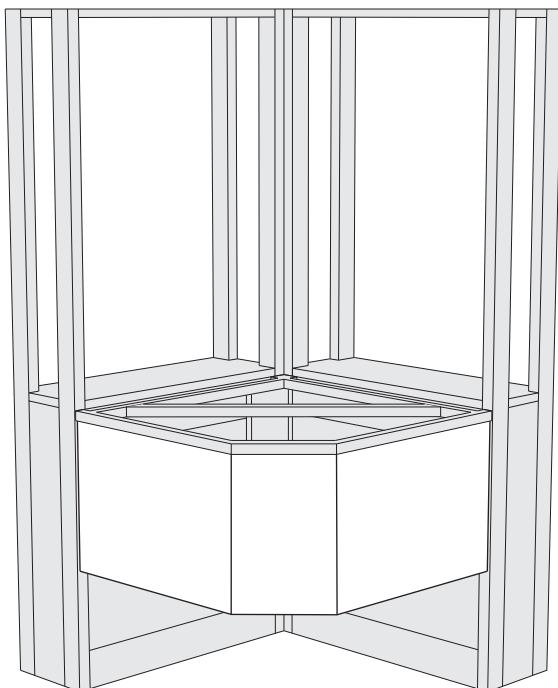
Worksurface Top must be ordered separately.

Adjustable Height Cantilevered Corner Worksurface Frame



Module Length	23" Deep Frame	Maximum Cabinet Size
36"	F81-2336-00	18" L
42"	F81-2342-00	24" L
48"	F81-2348-00	30" L
Module Length	29" Deep Frame	Maximum Cabinet Size
36"	F81-2936-00	n/a
42"	F81-2942-00	18" L
48"	F81-2948-00	24" L

Corner Worksurface Frame Filler



Module Length	23" Deep Frame	29" Deep Frame
36"	F82M2336-00	F82M2936-00
42"	F82M2342-00	F82M2942-00
48"	F82M2348-00	F82M2948-00