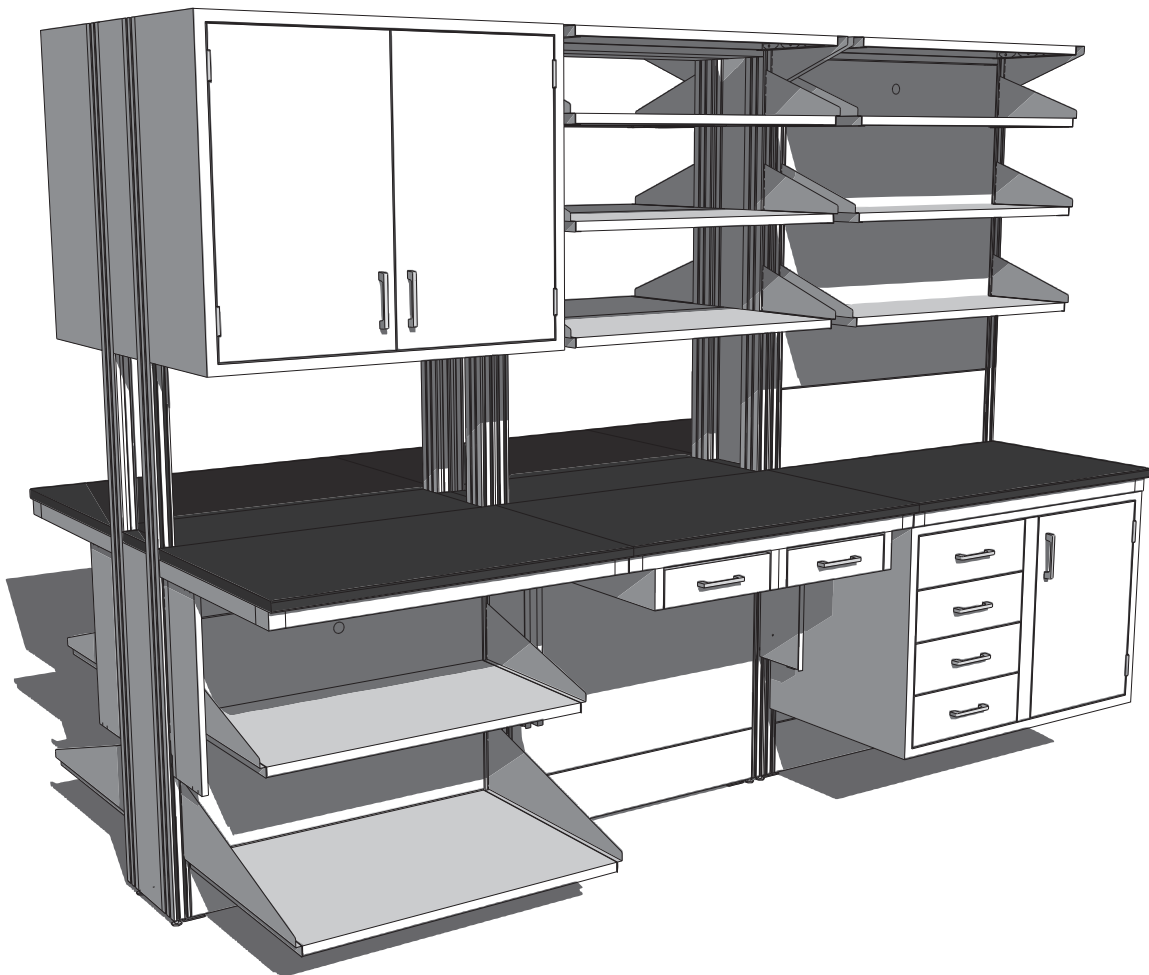


Worksurface & Module Tops

Features:

- Module Ledges and Worksurface Tops available in three laboratory proven materials:
 - Kewaunee Kemresin®
 - Phenolic Resin
 - High Pressure Laminate
- Module Ledges and Worksurface Tops available in all Module and Worksurface Frame sizes.
- Modular Worksurface Tops available with 1" wide "Cord Gaps".
- Custom cutout and fixture hole arrangements available.
- Custom Worksurface Top sizes and styles available.



Module Ledges

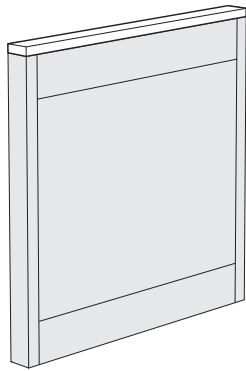
Specifications:

Module Ledges are required to cover the open top of Wall and Island Structural Modules. They are 1" thick with all edges finished square and are most commonly ordered in the same material and color as the Worksurface Tops, but it is not required.

F92 Module Ledges are designed for use on Modules without Upper Carriers and match the Module length.

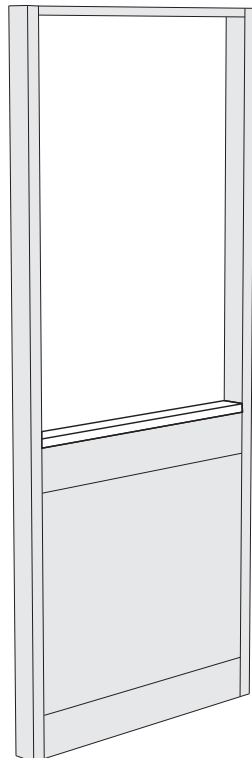
F90 Module Ledges are for use on Modules with Upper Carriers, and are 3 1/4" less in length than the Module.

3" Deep Module Ledges for 37" & 47" High Wall Modules



Length	Black Kemresin®	Phenolic Resin	High Pressure Laminate
24"	F92R0324-00	F92T0324-00	F92P0324-00
30"	F92R0330-00	F92T0330-00	F92P0330-00
36"	F92R0336-00	F92T0336-00	F92P0336-00
42"	F92R0342-00	F92T0342-00	F92P0342-00
48"	F92R0348-00	F92T0348-00	F92P0348-00
54"	F92R0354-00	F92T0354-00	F92P0354-00
60"	F92R0360-00	F92T0360-00	F92P0360-00
66"	F92R0366-00	F92T0366-00	F92P0366-00
72"	F92R0372-00	F92T0372-00	F92P0372-00

3" Deep Module Ledges for 84" High Wall Modules with Upper Carriers



Length	Black Kemresin®	Phenolic Resin	High Pressure Laminate
24"	F90R0324-00	F90T0324-00	F90P0324-00
30"	F90R0330-00	F90T0330-00	F90P0330-00
36"	F90R0336-00	F90T0336-00	F90P0336-00
42"	F90R0342-00	F90T0342-00	F90P0342-00
48"	F90R0348-00	F90T0348-00	F90P0348-00
54"	F90R0354-00	F90T0354-00	F90P0354-00
60"	F90R0360-00	F90T0360-00	F90P0360-00
66"	F90R0366-00	F90T0366-00	F90P0366-00
72"	F90R0372-00	F90T0372-00	F90P0372-00

Module Ledges

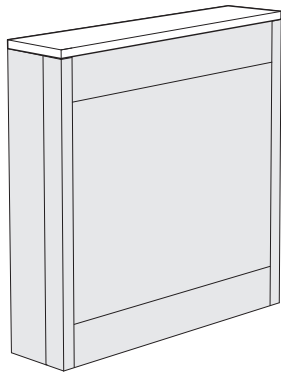
Specifications:

Module Ledges are required to cover the open top of Wall and Island Structural Modules. They are 1" thick with all edges finished square and are most commonly ordered in the same material and color as the Worksurface Tops, but it is not required.

F92 Module Ledges are designed for use on Modules without Upper Carriers and match the Module length.

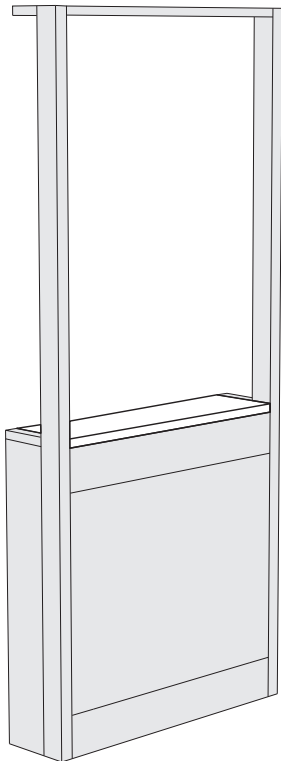
F90 Module Ledges are for use on Modules with Upper Carriers, and are 3 1/4" less in length than the Module.

9" Deep Module Ledges for 37" & 47" High Wall Modules



Length	Black Kemresin®	Phenolic Resin	High Pressure Laminate
24"	F92R0924-00	F92T0924-00	F92P0924-00
30"	F92R0930-00	F92T0930-00	F92P0930-00
36"	F92R0936-00	F92T0936-00	F92P0936-00
42"	F92R0942-00	F92T0942-00	F92P0942-00
48"	F92R0948-00	F92T0948-00	F92P0948-00
54"	F92R0954-00	F92T0954-00	F92P0954-00
60"	F92R0960-00	F92T0960-00	F92P0960-00
66"	F92R0966-00	F92T0966-00	F92P0966-00
72"	F92R0972-00	F92T0972-00	F92P0972-00

9" Deep Module Ledges for 84" High Wall Modules with Upper Carriers



Length	Black Kemresin®	Phenolic Resin	High Pressure Laminate
24"	F90R0924-00	F90T0924-00	F90P0924-00
30"	F90R0930-00	F90T0930-00	F90P0930-00
36"	F90R0936-00	F90T0936-00	F90P0936-00
42"	F90R0942-00	F90T0942-00	F90P0942-00
48"	F90R0948-00	F90T0948-00	F90P0948-00
54"	F90R0954-00	F90T0954-00	F90P0954-00
60"	F90R0960-00	F90T0960-00	F90P0960-00
66"	F90R0966-00	F90T0966-00	F90P0966-00
72"	F90R0972-00	F90T0972-00	F90P0972-00

Replacement Module End Caps

For use with	Depth	Part Number
9" Wall Modules w/Upper Carriers	6"	F91E0206-00

Module Ledges

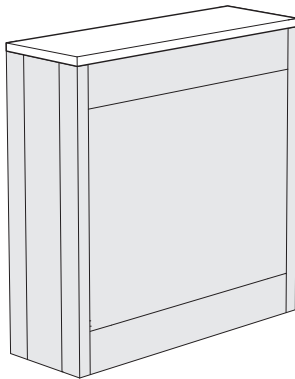
Specifications:

Module Ledges are required to cover the open top of Wall and Island Structural Modules. They are 1" thick with all edges finished square and are most commonly ordered in the same material and color as the Worksurface Tops, but it is not required.

F92 Module Ledges are designed for use on Modules without Upper Carriers and match the Module length.

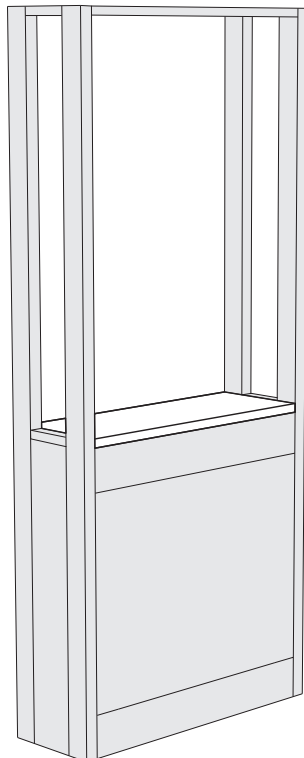
F90 Module Ledges are for use on Modules with Upper Carriers, and are 3 1/4" less in length than the Module.

12" Deep Module Ledges for 37" & 47" High Island Modules



Length	Black Kemresin®	Phenolic Resin	High Pressure Laminate
24"	F92R1224-00	F92T1224-00	F92P1224-00
30"	F92R1230-00	F92T1230-00	F92P1230-00
36"	F92R1236-00	F92T1236-00	F92P1236-00
42"	F92R1242-00	F92T1242-00	F92P1242-00
48"	F92R1248-00	F92T1248-00	F92P1248-00
54"	F92R1254-00	F92T1254-00	F92P1254-00
60"	F92R1260-00	F92T1260-00	F92P1260-00
66"	F92R1266-00	F92T1266-00	F92P1266-00
72"	F92R1272-00	F92T1272-00	F92P1272-00

12" Deep Module Ledges for 84" High Island Modules with Upper Carriers



Length	Black Kemresin®	Phenolic Resin	High Pressure Laminate
24"	F90R1224-00	F90T1224-00	F90P1224-00
30"	F90R1230-00	F90T1230-00	F90P1230-00
36"	F90R1236-00	F90T1236-00	F90P1236-00
42"	F90R1242-00	F90T1242-00	F90P1242-00
48"	F90R1248-00	F90T1248-00	F90P1248-00
54"	F90R1254-00	F90T1254-00	F90P1254-00
60"	F90R1260-00	F90T1260-00	F90P1260-00
66"	F90R1266-00	F90T1266-00	F90P1266-00
72"	F90R1272-00	F90T1272-00	F90P1272-00

Replacement Module End Caps

For use with	Depth	Part Number
12' Island Modules w/Upper Carriers	6"	F91E0206-00

Module Ledges

Specifications:

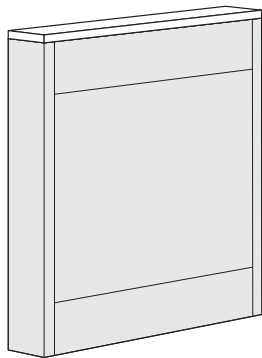
Module Ledges are required to cover the open top of Wall and Island Structural Modules. They are most commonly ordered in the same material and color as the Worksurface Tops, but it is not required.

Module Ledges are 1" thick with all edges finished square. They should be ordered to match the module size

on which they are to be used. The actual ledge is 3 1/4" less in length than the module. The remaining space is covered by the Module End Caps and/or Upper Carrier Uprights which are supplied with the Structural Module.

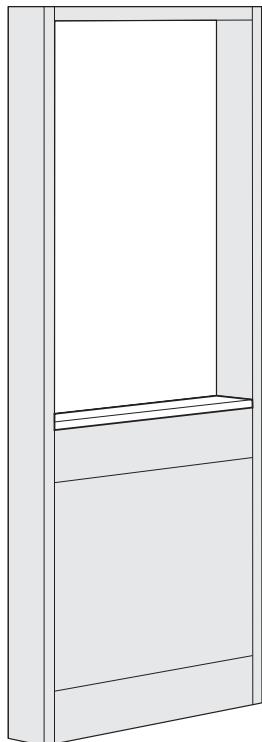
Additional Module End Caps may be purchased for future reconfiguring, but they are not required.

6" Deep Module Ledge for 37" & 47" High Partition Modules



Length	Black Kemresin®	Phenolic Resin	High Pressure Laminate
24"	F92R0624-00	F92T0624-00	F92P0624-00
30"	F92R0630-00	F92T0630-00	F92P0630-00
36"	F92R0636-00	F92T0636-00	F92P0636-00
42"	F92R0642-00	F92T0642-00	F92P0642-00
48"	F92R0648-00	F92T0648-00	F92P0648-00
54"	F92R0654-00	F92T0654-00	F92P0654-00
60"	F92R0660-00	F92T0660-00	F92P0660-00
66"	F92R0666-00	F92T0666-00	F92P0666-00
72"	F92R0672-00	F92T0672-00	F92P0672-00

6" Deep Module Ledge for 84" High Partition Modules with Upper Carriers



Length	Black Kemresin®	Phenolic Resin	High Pressure Laminate
24"	F90R0624-00	F90T0624-00	F90P0624-00
30"	F90R0630-00	F90T0630-00	F90P0630-00
36"	F90R0636-00	F90T0636-00	F90P0636-00
42"	F90R0642-00	F90T0642-00	F90P0642-00
48"	F90R0648-00	F90T0648-00	F90P0648-00
54"	F90R0654-00	F90T0654-00	F90P0654-00
60"	F90R0660-00	F90T0660-00	F90P0660-00
66"	F90R0666-00	F90T0666-00	F90P0666-00
72"	F90R0672-00	F90T0672-00	F90P0672-00

Corner & Peninsula Column Module Ledges

Length	Black Kemresin®	Phenolic Resin	High Pressure Laminate
6" x 6"	F90R0606-00	F90T0606-00	F90P0606-00
9" x 9"	F90R0909-00	F90T0909-00	F90P0909-00
9" x 12"	F90R0912-00	F90T0912-00	F90P0912-00
12" x 12"	F90R1212-00	F90T1212-00	F90P1212-00

Worksurface Tops

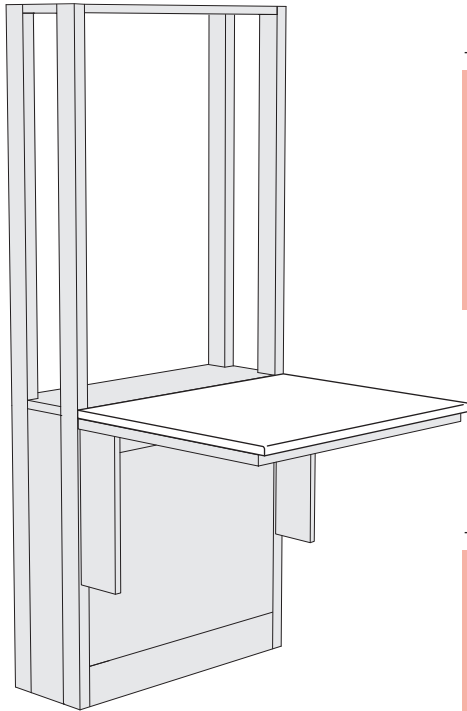
Specifications:

Worksurface Tops are available in modular sizes to match the length and depth of the Worksurface Frames. They are also available in depths 1" less than the Worksurface Frames to create a "Cord Gap" behind the top. This gap allows cords, cables and flexible tubing to be routed below the worksurface, and out of the way of ongoing work.

Worksurface Tops are 1" thick. Front edges are treated as shown on page 69. All other edges are finished square.

When Worksurface Tops spanning more than one frame are desired or when cutouts are required, custom tops are available. See page 70 and 71 for more information.

Modular Worksurface Tops



	Length	Black Kemresin®	Phenolic Resin	High Pressure Laminate
24" DEEP	24"	F95R2424-00	F95T2424-00	F95P2424-00
	30"	F95R2430-00	F95T2430-00	F95P2430-00
	36"	F95R2436-00	F95T2436-00	F95P2436-00
	42"	F95R2442-00	F95T2442-00	F95P2442-00
	48"	F95R2448-00	F95T2448-00	F95P2448-00
	54"	F95R2454-00	F95T2454-00	F95P2454-00
	60"	F95R2460-00	F95T2460-00	F95P2460-00
	66"	F95R2466-00	F95T2466-00	F95P2466-00
	72"	F95R2472-00	F95T2472-00	F95P2472-00

	Length	Black Kemresin®	Phenolic Resin	High Pressure Laminate
30" DEEP	24"	F95R3024-00	F95T3024-00	F95P3024-00
	30"	F95R3030-00	F95T3030-00	F95P3030-00
	36"	F95R3036-00	F95T3036-00	F95P3036-00
	42"	F95R3042-00	F95T3042-00	F95P3042-00
	48"	F95R3048-00	F95T3048-00	F95P3048-00
	54"	F95R3054-00	F95T3054-00	F95P3054-00
	60"	F95R3060-00	F95T3060-00	F95P3060-00
	66"	F95R3066-00	F95T3066-00	F95P3066-00
	72"	F95R3072-00	F95T3072-00	F95P3072-00

Worksurface Tops

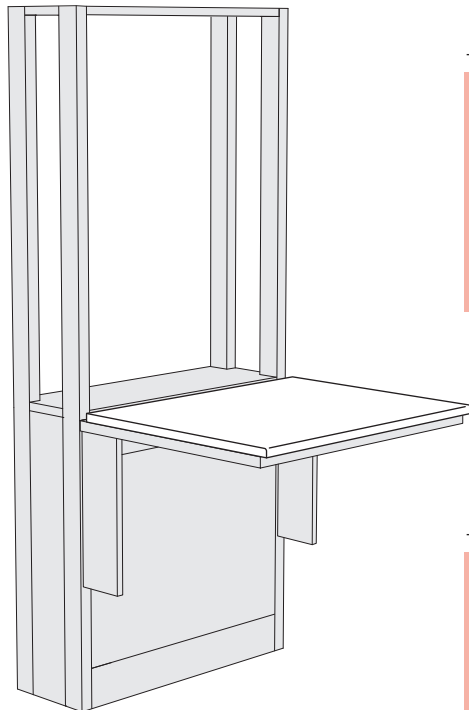
Specifications:

Worksurface Tops are available in modular sizes to match the length and depth of the Worksurface Frames. They are also available in depths 1" less than the Worksurface Frames to create a "Cord Gap" behind the top. This gap allows cords, cables and flexible tubing to be routed below the worksurface, and out of the way of ongoing work.

Worksurface Tops are 1" thick. Front edges are treated as shown on page 69. All other edges are finished square.

When Worksurface Tops spanning more than one frame are desired or when cutouts are required, custom tops are available. See page 70 and 71 for more information.

Modular Worksurface Tops with Cord Gap



	Length	Black Kemresin®	Phenolic Resin	High Pressure Laminate
23" DEEP	24"	F95R2324-00	F95T2324-00	F95P2324-00
	30"	F95R2330-00	F95T2330-00	F95P2330-00
	36"	F95R2336-00	F95T2336-00	F95P2336-00
	42"	F95R2342-00	F95T2342-00	F95P2342-00
	48"	F95R2348-00	F95T2348-00	F95P2348-00
	54"	F95R2354-00	F95T2354-00	F95P2354-00
	60"	F95R2360-00	F95T2360-00	F95P2360-00
	66"	F95R2366-00	F95T2366-00	F95P2366-00
	72"	F95R2372-00	F95T2372-00	F95P2372-00

	Length	Black Kemresin®	Phenolic Resin	High Pressure Laminate
29" DEEP	24"	F95R2924-00	F95T2924-00	F95P2924-00
	30"	F95R2930-00	F95T2930-00	F95P2930-00
	36"	F95R2936-00	F95T2936-00	F95P2936-00
	42"	F95R2942-00	F95T2942-00	F95P2942-00
	48"	F95R2948-00	F95T2948-00	F95P2948-00
	54"	F95R2954-00	F95T2954-00	F95P2954-00
	60"	F95R2960-00	F95T2960-00	F95P2960-00
	66"	F95R2966-00	F95T2966-00	F95P2966-00
	72"	F95R2972-00	F95T2972-00	F95P2972-00

Corner Worksurface Tops

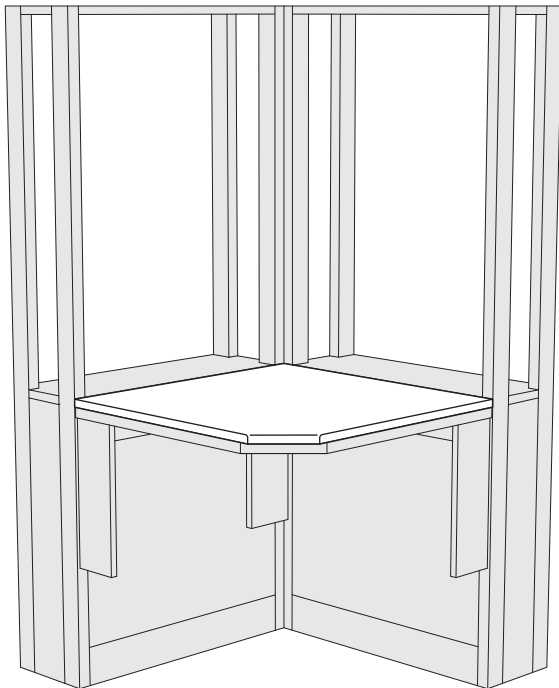
Specifications:

Worksurface Tops are available in modular sizes to match the length and depth of the Worksurface Frames. They are also available in depths 1" less than the Worksurface Frames to create a "Cord Gap" behind the top. This gap allows cords, cables and flexible tubing to be routed below the worksurface, and out of the way of ongoing work.

Worksurface Tops are 1" thick. Front edges are treated as shown on page 60. All other edges are finished square.

When Worksurface Tops spanning more than one frame are desired or when cutouts are required, custom tops are available. See page 70 and 71 for more information.

Modular Corner Worksurface Tops



Depth	Length	Black Kemresin®	Phenolic Resin	High Pressure Laminate
23"	36"	F96R2336-00	F96T2336-00	F96P2336-00
23"	42"	F96R2342-00	F96T2342-00	F96P2342-00
23"	48"	F96R2348-00	F96T2348-00	F96P2348-00
24"	36"	F96R2436-00	F96T2436-00	F96P2436-00
24"	42"	F96R2442-00	F96T2442-00	F96P2442-00
24"	48"	F96R2448-00	F96T2448-00	F96P2448-00
29"	36"	F96R2936-00	F96T2936-00	F96P2936-00
29"	42"	F96R2942-00	F96T2942-00	F96P2942-00
29"	48"	F96R2948-00	F96T2948-00	F96P2948-00
30"	36"	F96R3036-00	F96T3036-00	F96P3036-00
30"	42"	F96R3042-00	F96T3042-00	F96P3042-00
30"	48"	F96R3048-00	F96T3048-00	F96P3048-00

Work Top and Ledge Materials

Specifications:

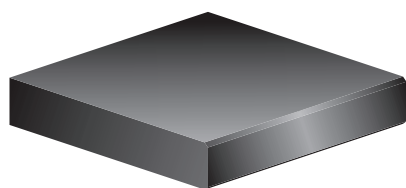
Worksurface Top and Ledge material selections are among the most critical of the laboratory furniture decisions. The intended applications of your work tops dictate material choice. Surfaces could be exposed to reagents and caustic substances. Heavy equipment may need to be supported or only light duty tasks may be performed.

Kewaunee offers three basic work top materials for use on the Alpha System. They are Kewaunee's exclusive Black Kemresin®, Phenolic Resin and High Pressure Plastic Laminates. All are available in standard sizes to match the Alpha System modules and are complemented with appropriate sinks, drains and accessories.

Work Top and Ledge Material Comparison

MATERIAL	APPEARANCE	COMPOSITION	CHEMICAL RESISTANCE	APPLICATIONS
BLACK KEMRESIN®	Black ultra-smooth, non-porous surface	1" thick molded epoxy resin	Excellent resistance to practically all acids, alkalies and solvents	Use wherever optimum physical and chemical resisting properties are required
PHENOLIC RESIN	Black, white, silver gray or sand beige, smooth non-glare	Cellulose fiber reinforced phenolic resin core with a highly crosslinked polyurethane copolymer surface	Excellent resistance to practically all acids, alkalies and solvents	Chemical and biological labs
HIGH PRESSURE LAMINATES	Hard, smooth surface, various colors	Plastic laminate surface attached with water resistant adhesive to solid particle board	Fair chemical resistance to wide range of acids, alkalies and solvents (Strong reagent solutions do attack, and material is almost impossible to repair satisfactorily)	Recommended for light duty purposes in science and technical laboratories or educational institutions, and for pharmacies and nurses stations in hospitals

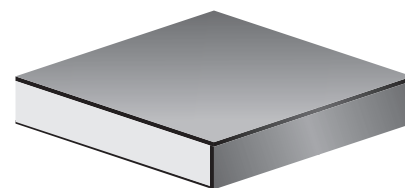
Work Top Styles — Front Edge



Kewaunee KEMRESIN®
1/8" Chamfer



Phenolic Resin
1/8" Chamfer



HIGH PRESSURE LAMINATES
Square – Self-Edged

Color Selection:

Kewaunee KEMRESIN®
Black

PHENOLIC RESIN
Black
White
Silver Gray
Sand Beige

HIGH PRESSURE LAMINATES
High-Pressure Laminates are available in a multitude of colors and patterns. Contact your Kewaunee representative for current color and pattern offerings.

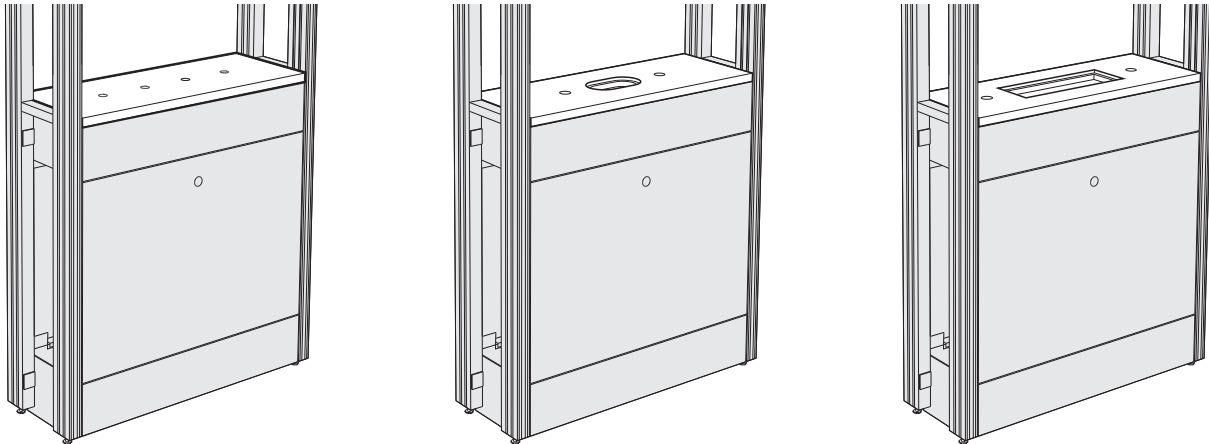
Custom Worksurface Tops and Ledges

Specifications:

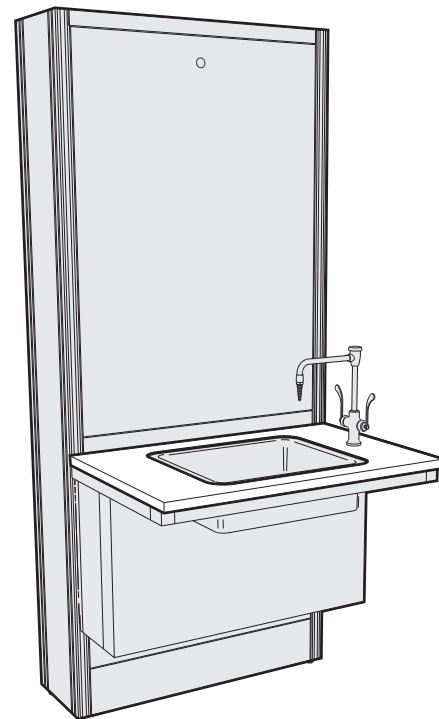
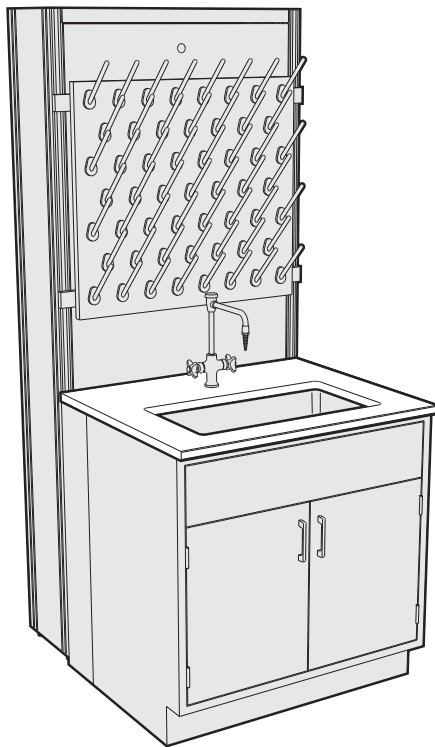
Recognizing that requirements for laboratory service fixtures and fittings is highly individualized, and that no one solution works in all cases, Alpha System Ledges and Worksurface Tops may be modified to accommodate fixture, fitting, sink, drain, and accessory cutouts as required.

Kewaunee's nationwide network of sales representatives and designers are available to help.

Worksurface Tops and Ledges with Holes and Cutouts



Module ledges may be ordered with cupsink cutouts and/or holes for mounting fittings and fixtures.



Worksurface tops may be ordered with sink cutouts, service fitting holes, specialty cutouts or other modifications.

Custom Work Tops

Specifications:

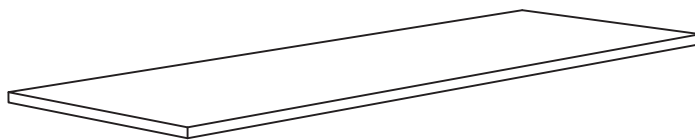
Continuous worksurface tops are available in two basic styles for applications that require an uninterrupted surface. All three top materials, Kemresin, Phenolic Resin, and High Pressure Laminate, may be fabricated into both flat tops, or flat tops with 1" thick applied curbs at the rear.

Fitting and fixture holes and cutouts can be incorporated in these styles to allow unlimited design options.

See charts below for material size and color options.

1" Thick Flat Worksurface Top

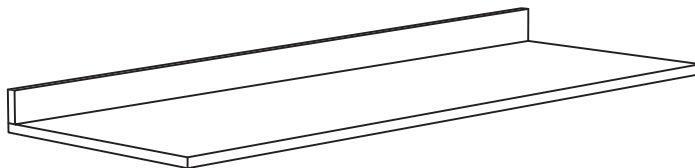
Standard Depths 24" 30"



Available Materials	Maximum Length without Joint
Kewaunee Kemresin®	96"
Phenolic Resin	120"
High Pressure Laminate	120"

1" Thick Worksurface Top with 1" x 4" Applied Curb

Standard Depths 24" 30"



Available Materials	Maximum Length without Joint
Kewaunee Kemresin®	96"
Phenolic Resin	120"
High Pressure Laminate	120"

Color Selection:

Kewaunee KEMRESIN®

Black

Phenolic Resin

Black
White
Silver Gray
Sand Beige

HIGH PRESSURE LAMINATES

High-Pressure Laminates are available in a multitude of colors and patterns. Contact your Kewaunee representative for current color and pattern offerings.

Kemresin is a registered trademark of Kewaunee Scientific Corporation.