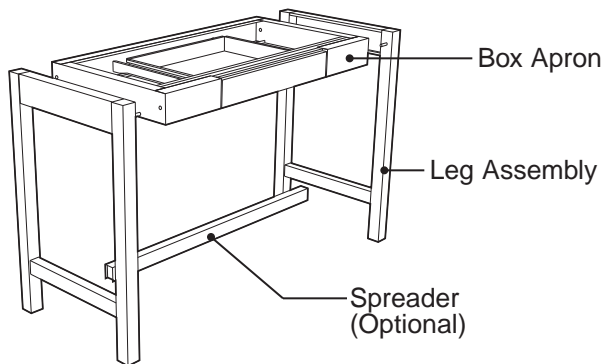


Steel Apron Assemblies

Components of an Apron Assembly



Specifications:

Box Aprons are 4" high in lengths and depths as shown. Dimensions shown are sizes of the apron without legs. Each leg or pedestal adds 2" to the overall length of the apron assembly. A free-standing table with legs on both ends will therefore be 4" longer than the apron length. All aprons can be used between cabinets, with leg assemblies or with pedestal legs.

For aprons 48" long and longer, spreaders are available to connect the two leg assemblies. When a spreader is used, order the A08 leg assembly which is designed to accept the spreader.

See page 95 for designating style, drawer head material, and hardware selection.

Box Aprons

No Drawers



22" Deep

A00M042218-0000	18"L
A00M042224-0000	24"L
A00M042230-0000	30"L
A00M042236-0000	36"L
A00M042242-0000	42"L
A00M042248-0000	48"L
A00M042254-0000	54"L
A00M042260-0000	60"L
A00M042266-0000	66"L
A00M042272-0000	72"L

28" Deep

A00M042818-0000	18"L
A00M042824-0000	24"L
A00M042830-0000	30"L
A00M042836-0000	36"L
A00M042842-0000	42"L
A00M042848-0000	48"L
A00M042854-0000	54"L
A00M042860-0000	60"L
A00M042866-0000	66"L
A00M042872-0000	72"L

1 Drawer



22" Deep

A01M042224-_____	24"L
A01M042230-_____	30"L
A01M042236-_____	36"L
A01M042242-_____	42"L
A01M042248-_____	48"L
A01M042254-_____	54"L
A01M042260-_____	60"L
A01M042266-_____	66"L
A01M042272-_____	72"L

28" Deep

A01M042824-_____	24"L
A01M042830-_____	30"L
A01M042836-_____	36"L
A01M042842-_____	42"L
A01M042848-_____	48"L
A01M042854-_____	54"L
A01M042860-_____	60"L
A01M042866-_____	66"L
A01M042872-_____	72"L

2 Drawers



22" Deep

A02M042236-_____	36"L
A02M042242-_____	42"L
A02M042248-_____	48"L
A02M042254-_____	54"L
A02M042260-_____	60"L
A02M042266-_____	66"L
A02M042272-_____	72"L

28" Deep

A02M042836-_____	36"L
A02M042842-_____	42"L
A02M042848-_____	48"L
A02M042854-_____	54"L
A02M042860-_____	60"L
A02M042866-_____	66"L
A02M042872-_____	72"L

3 Drawers



22" Deep

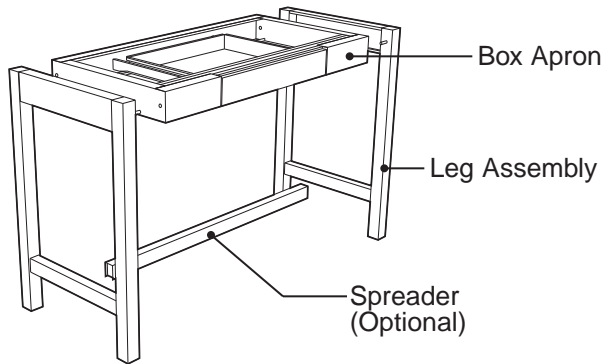
A03M042254-_____	54"L
A03M042260-_____	60"L
A03M042266-_____	66"L
A03M042272-_____	72"L

28" Deep

A03M042854-_____	54"L
A03M042860-_____	60"L
A03M042866-_____	66"L
A03M042872-_____	72"L

Steel Apron Legs & Spreaders

Components of an Apron Assembly



Specifications:

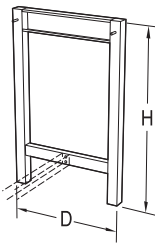
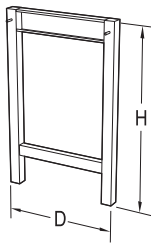
Box Aprons are 4" high in lengths and depths as shown. Dimensions shown are sizes of the apron without legs. Each leg or pedestal adds 2" to the overall length of the apron assembly. A free-standing table with legs on both ends will therefore be 4" longer than the apron length. All aprons can be used between cabinets, with leg assemblies or with pedestal legs.

For aprons 48" long and longer, spreaders are available to connect the two leg assemblies. When a spreader is used, order the A08 leg assembly which is designed to accept the spreader.

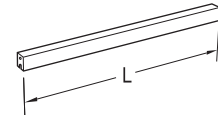
See page 95 for designating style, drawer head material, and hardware selection.

Leg Assemblies

Spreader



For use with Spreader



22³/₁₆" Deep

A07M312202-0000 30"H
A07M342202-0000 33"H
A07M372202-0000 35³/₄"H

28³/₁₆" Deep

A07M312802-0000 30"H
A07M342802-0000 33"H
A07M372802-0000 35³/₄"H

22³/₁₆" Deep

A08M312202-0000 30"H
A08M342202-0000 33"H
A08M372202-0000 35³/₄"H

28³/₁₆" Deep

A08M312802-0000 30"H
A08M342802-0000 33"H
A08M372802-0000 35³/₄"H

A09M020242-0000 42"L
A09M020248-0000 48"L
A09M020254-0000 54"L
A09M020260-0000 60"L
A09M020266-0000 66"L
A09M020272-0000 72"L

Each Leg Assembly adds 2" to the overall length of the apron assembly to which it is attached.