

Worksurface Frames

Specifications:

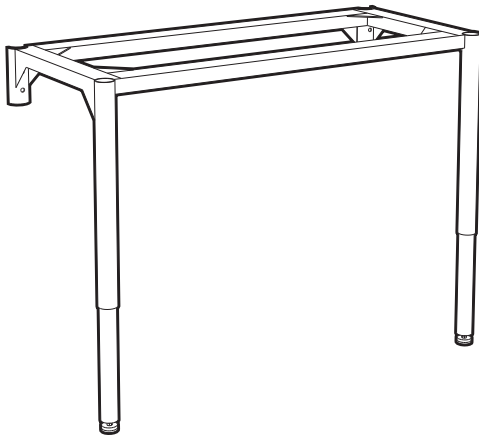
Worksurface Frames are available in five lengths to match the Workstation Support Frames, and are adjustable in height from 30" - 36" on 2" increments.

The frames are fabricated from 11 gauge powder coated steel with 2" diameter, telescoping, powder coated, steel legs. They are furnished with required installation hardware.

22" Deep Frames are designed for use with 24" deep Work Tops, 28" Deep Frames are designed for 30" deep Work Tops.

Cabinet Stops are designed to locate Mobile Base Cabinets in line with the front of the Workstation. Fabricated from 16 gauge, powder coated, steel, they are furnished with all required installation hardware.

Worksurface Frames



22" Deep Frame

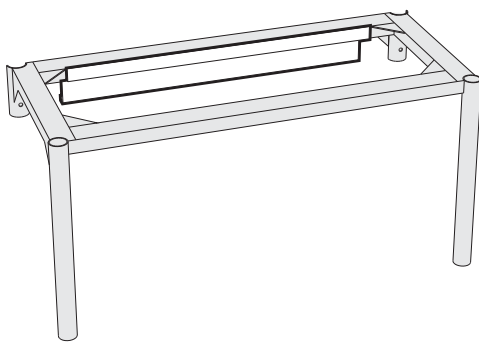
- 42" L FE80M362242-00
- 48" L FE80M362248-00
- 60" L FE80M362260-00
- 72" L FE80M362272-00
- 96" L FE80M362296-00



28" Deep Frames

- 42" L FE80M362842-00
- 48" L FE80M362848-00
- 60" L FE80M362860-00
- 72" L FE80M362872-00
- 96" L FE80M362896-00

Cabinet Stops



Cabinet Stops for 22" Deep Frame

- 42" L FE85M022242-00
- 48" L FE85M022248-00
- 60" L FE85M022260-00
- 72" L FE85M022272-00
- 96" L FE85M022296-00



Cabinet Stops for 28" Deep Frame

- 42" L FE85M022842-00
- 48" L FE85M022848-00
- 60" L FE85M022860-00
- 72" L FE85M022872-00
- 96" L FE85M022896-00

Free-standing Table Frames

Specifications:

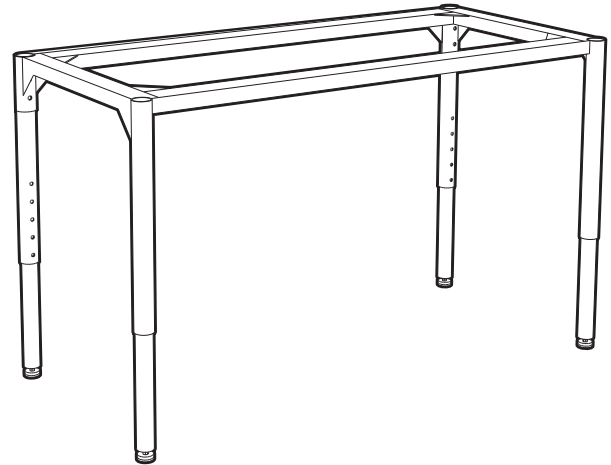
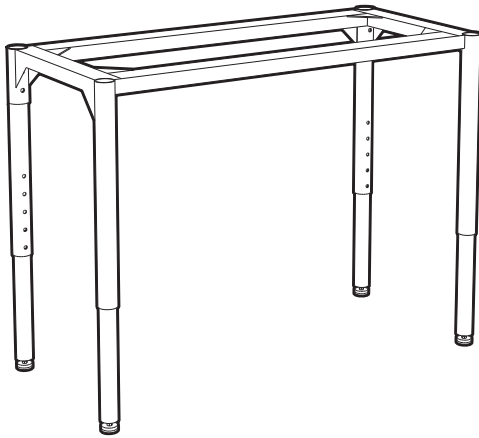
Free-standing Table Frames consist of a Worksurface Frame and a pair of Rear Adjustable Legs, are available in five lengths, and are adjustable in height from 30" - 36" on 2" increments.

The frames are fabricated from 11 gauge powder coated steel with 2" diameter, telescoping, powder coated, steel legs. Furnished with required installation hardware.

Rear Adjustable Legs match the telescoping legs at the front of Worksurface Frames. They may be attached to any of the Worksurface Frames to create a Free-standing Table Frame. (sold in pairs)

Cabinet Hanging Rail Kit may be added to the 28" deep Worksurface Frame to hang Suspended Base Cabinets. Kit includes Rear Hanging Rail and two front Stud Plates.

Free-standing Tables



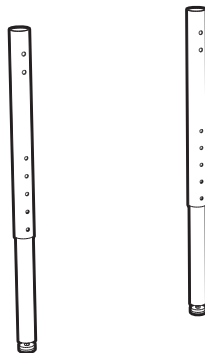
22" Deep Table Frame Assemblies

- 42" L FE50M362242-00
- 48" L FE50M362248-00
- 60" L FE50M362260-00
- 72" L FE50M362272-00
- 96" L FE50M362296-00

28" Deep Table Frame Assemblies

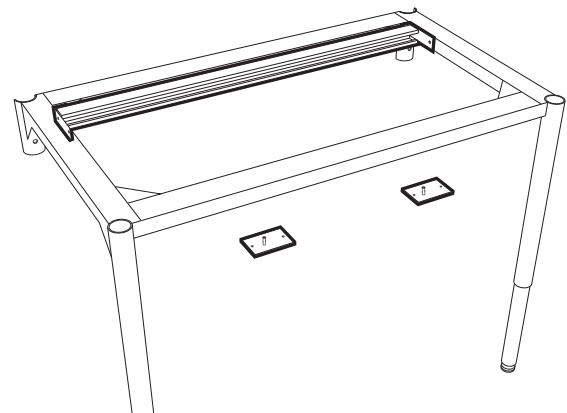
- 42" L FE50M362842-00
- 48" L FE50M362848-00
- 60" L FE50M362860-00
- 72" L FE50M362872-00
- 96" L FE50M362896-00

Rear Adjustable Legs



- 30" - 36"H **FE88M360202-00** pair

Cabinet Hanging Rail Kit — for 28" deep frames



- 42" L **FE89M0260242-00** kit
- 48" L **FE89M0260248-00** kit
- 60" L **FE89M0260260-00** kit
- 72" L **FE89M0260272-00** kit
- 96" L **FE89M0260296-00** kit

For 28" Deep Worksurface Frames Only

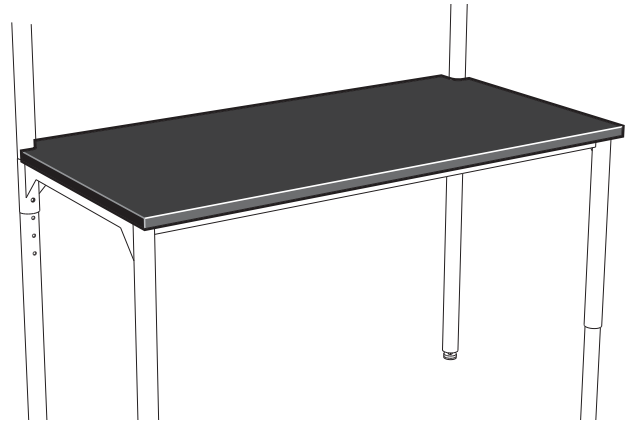
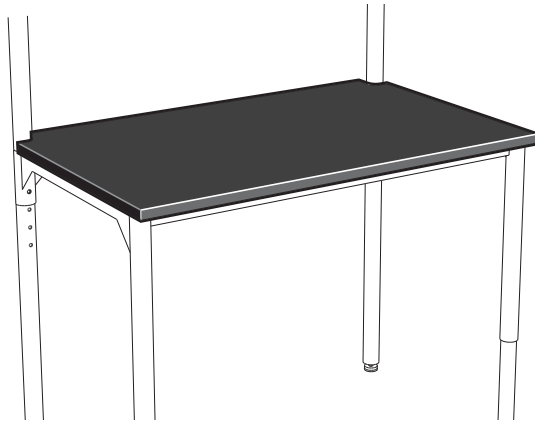
Workstation Work Tops

Specifications:

Workstation Work Tops are available in Kemresin, Phenolic Resin, or Plastic Laminate. All are 1" thick, have a front and rear overhang of 1" and are flush with the ends of the Worksurface Frames. Rear corners are notched to fit around Workstation Support Frames. All edges are finished.

Powder Coated Steel Back Splash is 5" high and mounted to the Worksurface frame to provide a 4" high splash. Fabricated from 11 gauge powder coated steel, it is furnished complete with installation hardware.

Workstation Work Tops



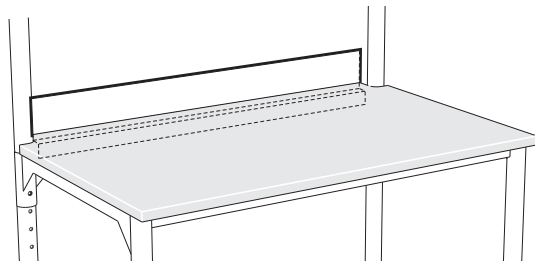
24" Deep Work Top for use on 22" Worksurface Frames

	Kemresin	Phenolic Resin	Plastic Laminate
42" L	FE95R012442-00	FE95T012442-00	FE95P012442-00
48" L	FE95R012448-00	FE95T012448-00	FE95P012448-00
60" L	FE95R012460-00	FE95T012460-00	FE95P012460-00
72" L	FE95R012472-00	FE95T012472-00	FE95P012472-00
96" L	FE95R012496-00	FE95T012496-00	FE95P012496-00

30" Deep Work Top for use on 28" Worksurface Frames

	Kemresin	Phenolic Resin	Plastic Laminate
42" L	FE95R013042-00	FE95T013042-00	FE95P013042-00
48" L	FE95R013048-00	FE95T013048-00	FE95P013048-00
60" L	FE95R013060-00	FE95T013060-00	FE95P013060-00
72" L	FE95R013072-00	FE95T013072-00	FE95P013072-00
96" L	FE95R013096-00	FE95T013096-00	FE95P013096-00

Powder Coated Steel Back Splash



42" L	FE95M040042-00
48" L	FE95M040048-00
60" L	FE95M040060-00
72" L	FE95M040072-00
96" L	FE95M040096-00

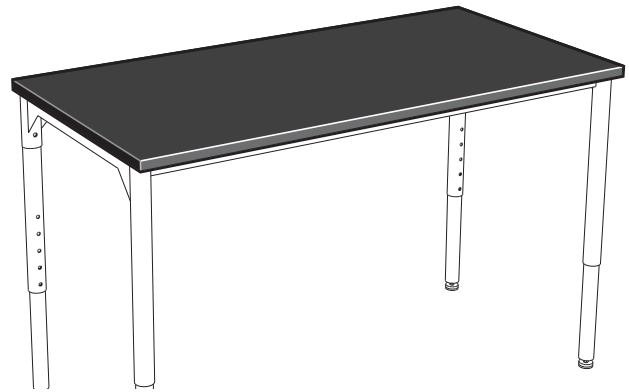
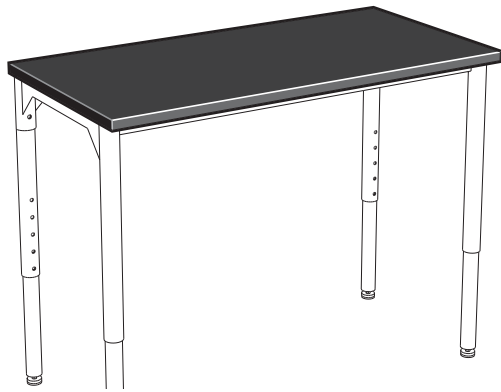
Free-standing Table Work Tops

Specifications:

Free-standing Table Work Tops are available in Kemresin, Phenolic Resin, or Plastic Laminate. All are 1" thick, have a 1" front overhang, a 1" rear overhang, and are flush with the ends of the Worksurface Frames. All edges are finished.

Powder Coated Steel Back Splash is 5" high and mounted to the Worksurface frame to provide a 4" high splash. Fabricated from 11 gauge powder coated steel, it is furnished complete with installation hardware.

Free-standing Table Work Tops



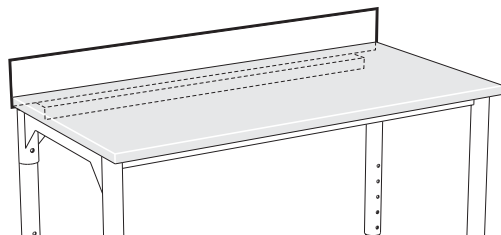
24" Deep Work Top for use on 22" Table Frame Assemblies

	Kemresin	Phenolic Resin	Plastic Laminate
42" L	FE96R012442-00	FE96T012442-00	FE96P012442-00
48" L	FE96R012448-00	FE96T012448-00	FE96P012448-00
60" L	FE96R012460-00	FE96T012460-00	FE96P012460-00
72" L	FE96R012472-00	FE96T012472-00	FE96P012472-00
96" L	FE96R012496-00	FE96T012496-00	FE96P012496-00

30" Deep Work Top for use on 28" Table Frame Assemblies

	Kemresin	Phenolic Resin	Plastic Laminate
42" L	FE96R013042-00	FE96T013042-00	FE96P013042-00
48" L	FE96R013048-00	FE96T013048-00	FE96P013048-00
60" L	FE96R013060-00	FE96T013060-00	FE96P013060-00
72" L	FE96R013072-00	FE96T013072-00	FE96P013072-00
96" L	FE96R013096-00	FE96T013096-00	FE96P013096-00

Powder Coated Steel Back Splash



42" L	FE96M040042-00
48" L	FE96M040048-00
60" L	FE96M040060-00
72" L	FE96M040072-00
96" L	FE96M040096-00