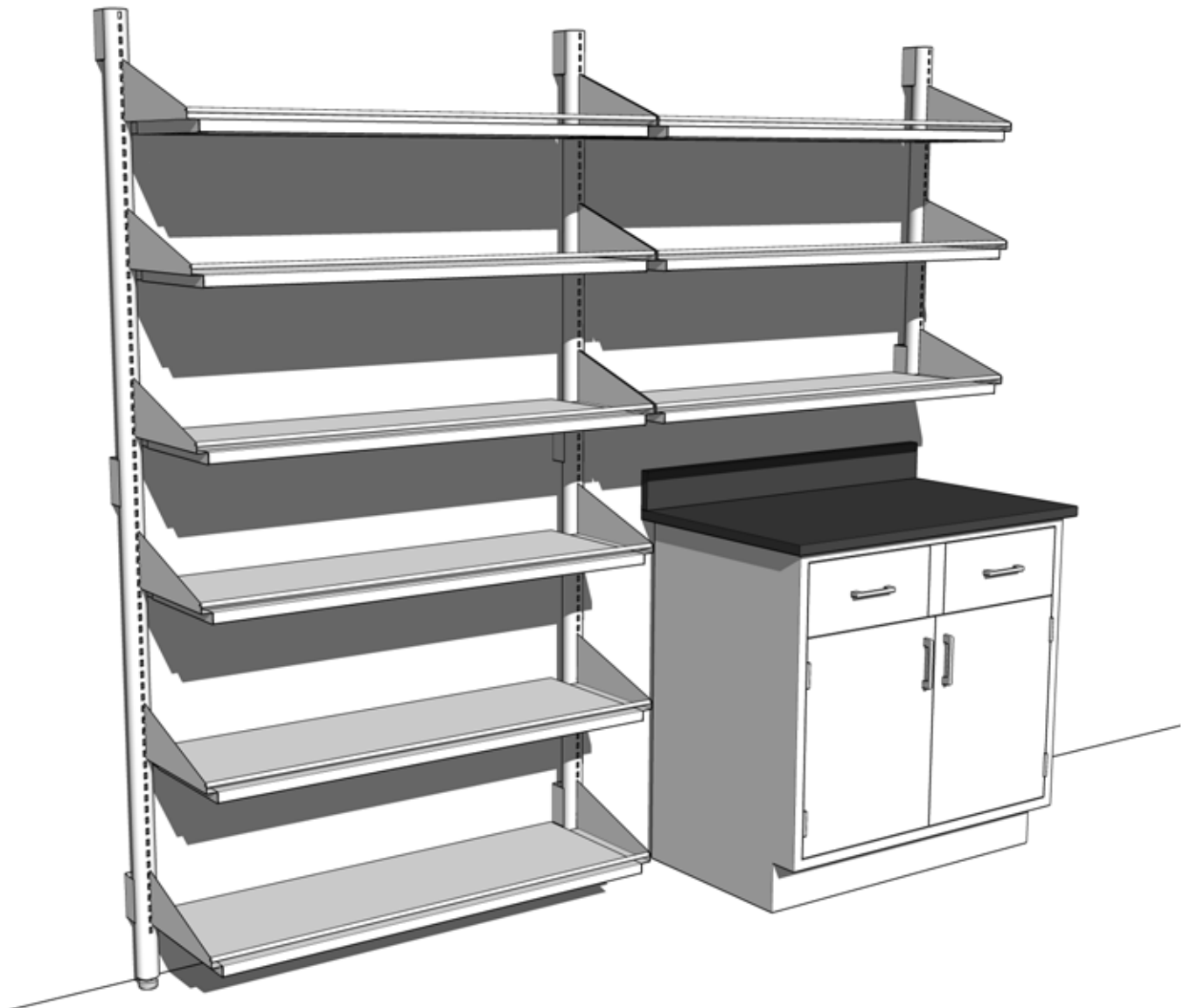


# Enterprise Shelving

## Features:

- May be used with Workstation Support Frames or individual Wall Standards
- Shelving available in lengths of 29", 35", 40", 46" and 47" to match Workstation Support Frames
- Shelving available with or without front retaining rods
- Shelf Retaining Lips available for front or back edge of all shelves
- Task Lighting available for mounting under shelves
- Wall Standards available in heights of 30", 36", 42", 48" and 84"



# Wall Standards & Shelving Accessories

## Specifications:

**Enterprise Wall Standards** are fabricated from 11 gauge, 2" dia. powder coated steel tubing, with 1" steel stand-offs for mounting on wall. Full height wall standard is furnished with leveling foot.

All Enterprise Wall Standards are slotted on 1" centers and are designed to accept two shelf brackets mounted side-by-side. (Wall mounting hardware is not included.)

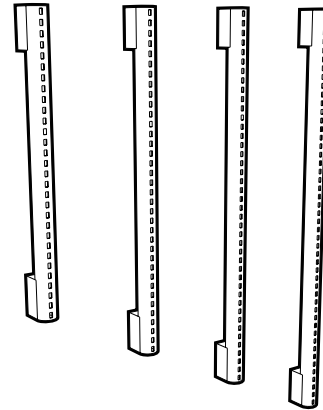
**Shelf Retaining Lips** are fabricated from 16 ga. powder coated steel, and may be added to the front or back of any Enterprise Shelf. (required hardware included)

**Task Lighting** consists of a thin-profile, specification grade, white, painted steel housing, 1" high by 3½" housing. It is UL listed and furnished with rocker switch, single outlet, lamp, and six foot cord.

## Wall Standards

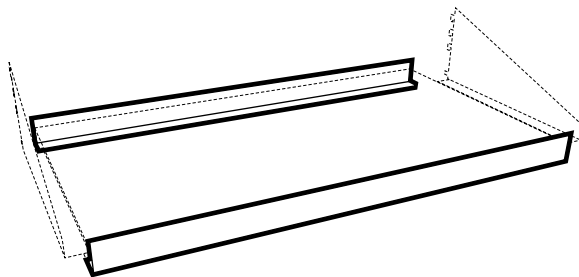


**Full Height Wall Standard**  
84" H **FE10M840202-00** each



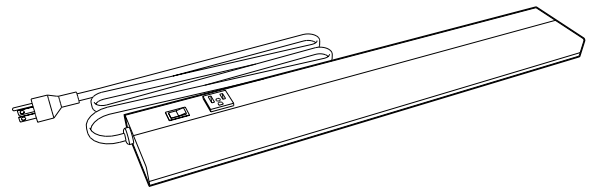
**Upper Wall Standards**  
30" L **FE10M300202-00** each  
36" L **FE10M360202-00** each  
42" L **FE10M420202-00** each  
48" L **FE10M480202-00** each

## Shelf Retaining Lip



Nominal Length	Part Number	Fits	
27"	<b>FE63M020129-00</b>	29" Shelf	each
33"	<b>FE63M020135-00</b>	35" Shelf	each
38"	<b>FE63M020140-00</b>	40" Shelf	each
44"	<b>FE63M020146-00</b>	46" Shelf	each
45"	<b>FE63M020147-00</b>	47" Shelf	each

## Task Lighting



Nominal Length	Actual Length	Part Number	Fits Under
24"	21¼"	<b>F-5314-00</b>	29" - 35" Shelves
36"	34¾"	<b>F-5316-00</b>	40" - 47" Shelves

# Adjustable Height Shelves

## Specifications:

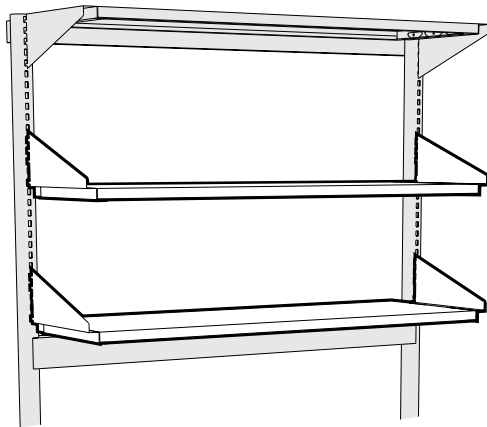
**Adjustable Height Shelves** consist of a pair of 11 gauge powder coated steel Shelf Brackets and a Shelf. Shelves are adjustable in height on 1" centers from 55" to 80" above floor. Shelves overhang the rear of the shelf bracket by 3" and are available in Powder Coated Steel, Oak or Maple veneer plywood, or Phenolic Resin.

Powder Coated Steel Shelves — 1" thick, formed from 16 gauge cold rolled steel

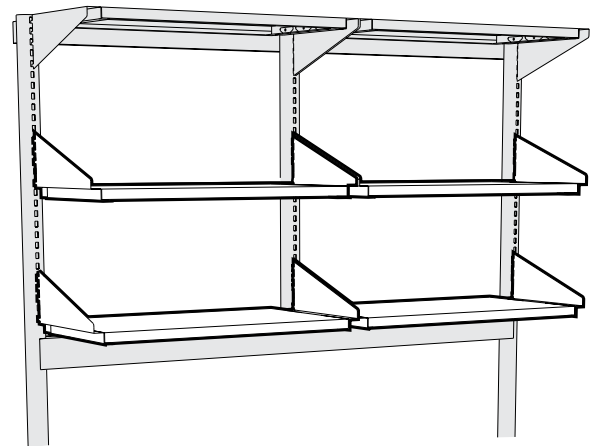
Oak or Maple Shelves — 1" thick hardwood plywood with matching veneer on all exposed surfaces

Phenolic Resin — 1" thick phenolic resin

## Adjustable Shelves



**40" Shelf** used on **42" Support Frame**  
**46" Shelf** used on **48" Support Frame**



**29" Shelf** used on **60" Support Frame**  
**35" Shelf** used on **72" Support Frame**  
**47" Shelf** used on **96" Support Frame**

### 9" Deep Bracket – 12" Deep Shelf

	Powder Coated Steel	Phenolic Resin	Oak Veneer	Maple Veneer
40" L	<b>FE21M040940-30</b>	<b>FE21T040940-30</b>	<b>FE21W040940-31</b>	<b>FE21W040940-32</b>
46" L	<b>FE21M040946-30</b>	<b>FE21T040946-30</b>	<b>FE21W040946-31</b>	<b>FE21W040946-32</b>
29" L	<b>FE21M040929-30</b>	<b>FE21T040929-30</b>	<b>FE21W040929-31</b>	<b>FE21W040929-32</b>
35" L	<b>FE21M040935-30</b>	<b>FE21T040935-30</b>	<b>FE21W040935-31</b>	<b>FE21W040935-32</b>
47" L	<b>FE21M040947-30</b>	<b>FE21T040947-30</b>	<b>FE21W040947-31</b>	<b>FE21W040947-32</b>

### 12" Deep Bracket – 15" Deep Shelf

	Powder Coated Steel	Phenolic Resin	Oak Veneer	Maple Veneer
40" L	<b>FE21M051240-30</b>	<b>FE21T051240-30</b>	<b>FE21W051240-31</b>	<b>FE21W051240-32</b>
46" L	<b>FE21M051246-30</b>	<b>FE21T051246-30</b>	<b>FE21W051246-31</b>	<b>FE21W051246-32</b>
29" L	<b>FE21M051229-30</b>	<b>FE21T051229-30</b>	<b>FE21W051229-31</b>	<b>FE21W051229-32</b>
35" L	<b>FE21M051235-30</b>	<b>FE21T051235-30</b>	<b>FE21W051235-31</b>	<b>FE21W051235-32</b>
47" L	<b>FE21M051247-30</b>	<b>FE21T051247-30</b>	<b>FE21W051247-31</b>	<b>FE21W051247-32</b>

### 18" Deep Bracket – 21" Deep Shelf

	Powder Coated Steel	Phenolic Resin	Oak Veneer	Maple Veneer
40" L	<b>FE21M061840-30</b>	<b>FE21T061840-30</b>	<b>FE21W061840-31</b>	<b>FE21W061840-32</b>
46" L	<b>FE21M061846-30</b>	<b>FE21T061846-30</b>	<b>FE21W061846-31</b>	<b>FE21W061846-32</b>
29" L	<b>FE21M061829-30</b>	<b>FE21T061829-30</b>	<b>FE21W061829-31</b>	<b>FE21W061829-32</b>
35" L	<b>FE21M061835-30</b>	<b>FE21T061835-30</b>	<b>FE21W061835-31</b>	<b>FE21W061835-32</b>
47" L	<b>FE21M061847-30</b>	<b>FE21T061847-30</b>	<b>FE21W061847-31</b>	<b>FE21W061847-32</b>

# Adjustable Height Shelves

## Specifications:

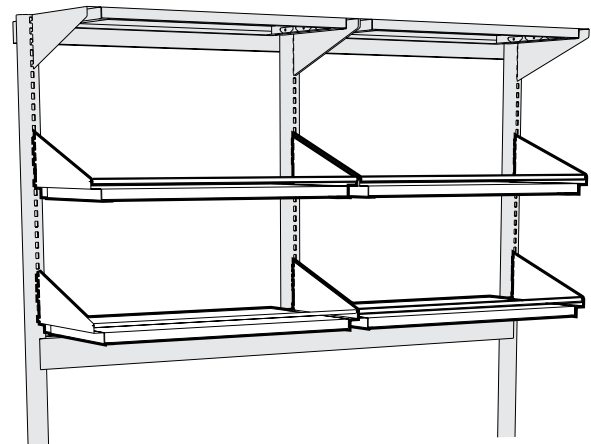
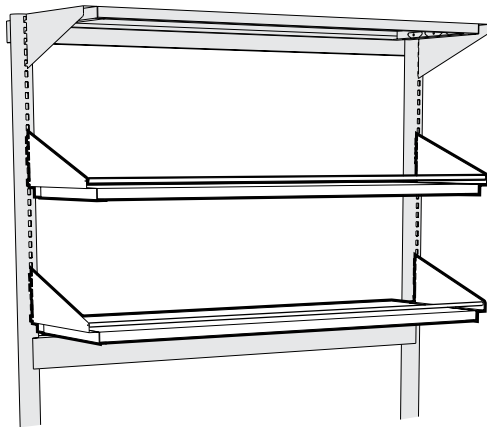
**Adjustable Height Shelves with Retaining Rod** consist of a pair of 11 gauge powder coated steel Shelf Brackets, a Shelf, and a 1/4" diameter powder coated steel rod fastened to the front of the shelf brackets. Shelves are adjustable in height on 1" centers from 55" to 80" above floor. Shelves overhang the rear of the shelf bracket by 3" and are available in Powder Coated Steel, Oak or Maple veneer plywood, or Phenolic Resin.

Powder Coated Steel Shelves — 1" thick, formed from 16 gauge cold rolled steel

Oak or Maple Shelves — 1" thick hardwood plywood with matching veneer on all exposed surfaces

Phenolic Resin — 1" thick phenolic resin

## Adjustable Shelves — with Retaining Rod



**40" Shelf** used on **42" Support Frame**  
**46" Shelf** used on **48" Support Frame**

**29" Shelf** used on **60" Support Frame**  
**35" Shelf** used on **72" Support Frame**  
**47" Shelf** used on **96" Support Frame**

### 9" Deep Bracket – 12" Deep Shelf

	Powder Coated Steel	Phenolic Resin	Oak Veneer	Maple Veneer
40" L	FE22M040940-30	FE22T040940-30	FE22W040940-31	FE22W040940-32
46" L	FE22M040946-30	FE22T040946-30	FE22W040946-31	FE22W040946-32
29" L	FE22M040929-30	FE22T040929-30	FE22W040929-31	FE22W040929-32
35" L	FE22M040935-30	FE22T040935-30	FE22W040935-31	FE22W040935-32
47" L	FE22M040947-30	FE22T040947-30	FE22W040947-31	FE22W040947-32

### 12" Deep Bracket – 15" Deep Shelf

	Powder Coated Steel	Phenolic Resin	Oak Veneer	Maple Veneer
40" L	FE22M051240-30	FE22T051240-30	FE22W051240-31	FE22W051240-32
46" L	FE22M051246-30	FE22T051246-30	FE22W051246-31	FE22W051246-32
29" L	FE22M051229-30	FE22T051229-30	FE22W051229-31	FE22W051229-32
35" L	FE22M051235-30	FE22T051235-30	FE22W051235-31	FE22W051235-32
47" L	FE22M051247-30	FE22T051247-30	FE22W051247-31	FE22W051247-32

### 18" Deep Bracket – 21" Deep Shelf

	Powder Coated Steel	Phenolic Resin	Oak Veneer	Maple Veneer
40" L	FE22M061840-30	FE22T061840-30	FE22W061840-31	FE22W061840-32
46" L	FE22M061846-30	FE22T061846-30	FE22W061846-31	FE22W061846-32
29" L	FE22M061829-30	FE22T061829-30	FE22W061829-31	FE22W061829-32
35" L	FE22M061835-30	FE22T061835-30	FE22W061835-31	FE22W061835-32
47" L	FE22M061847-30	FE22T061847-30	FE22W061847-31	FE22W061847-32

# Top Shelves

## Specifications:

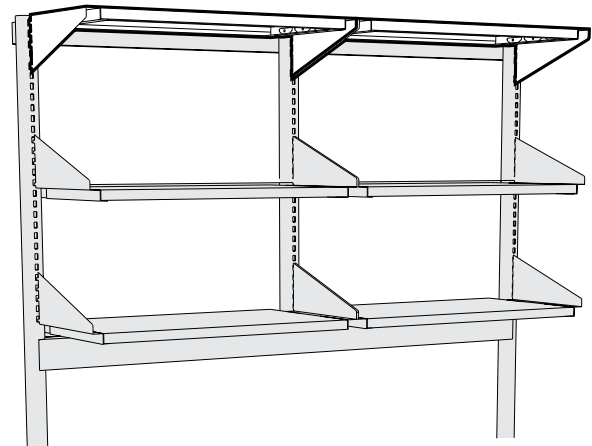
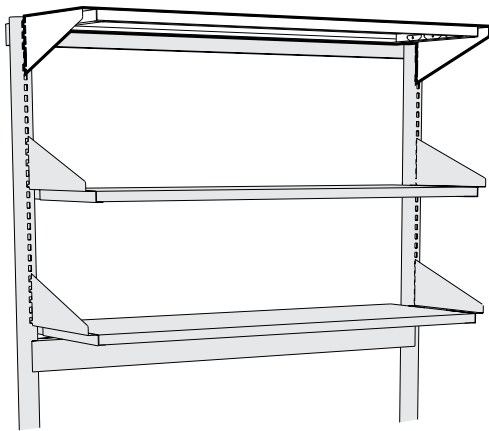
**Single-sided Support Frame Top Shelves** consist of a pair of 11 gauge powder coated steel Shelf Brackets and a Shelf. Top Shelves are designed to mount at the top of the support assembly but are adjustable in height on 1" centers from 60" to 84" above floor. Single-sided Support Frame Top Shelves overhang the rear of the shelf bracket by 2" and are available in Powder Coated Steel, Oak or Maple veneer plywood, or Phenolic Resin.

Powder Coated Steel Shelves — 1" thick, formed from 16 gauge cold rolled steel

Oak or Maple Shelves — 1" thick hardwood plywood with matching veneer on all exposed surfaces

Phenolic Resin — 1" thick phenolic resin

## Top Shelf Assembly for Single-sided Support Frames



**40" Shelf** used on **42" Support Frame**  
**46" Shelf** used on **48" Support Frame**

**29" Shelf** used on **60" Support Frame**  
**35" Shelf** used on **72" Support Frame**  
**47" Shelf** used on **96" Support Frame**

### 9" Deep Bracket – 11" Deep Shelf

	Powder Coated Steel	Phenolic Resin	Oak Veneer	Maple Veneer
40" L	FE28M040940-20	FE28T040940-20	FE28W040940-21	FE28W040940-22
46" L	FE28M040946-20	FE28T040946-20	FE28W040946-21	FE28W040946-22
29" L	FE28M040929-20	FE28T040929-20	FE28W040929-21	FE28W040929-22
35" L	FE28M040935-20	FE28T040935-20	FE28W040935-21	FE28W040935-22
47" L	FE28M040947-20	FE28T040947-20	FE28W040947-21	FE28W040947-22

### 12" Deep Bracket – 14" Deep Shelf

	Powder Coated Steel	Phenolic Resin	Oak Veneer	Maple Veneer
40" L	FE28M051240-20	FE28T051240-20	FE28W051240-21	FE28W051240-22
46" L	FE28M051246-20	FE28T051246-20	FE28W051246-21	FE28W051246-22
29" L	FE28M051229-20	FE28T051229-20	FE28W051229-21	FE28W051229-22
35" L	FE28M051235-20	FE28T051235-20	FE28W051235-21	FE28W051235-22
47" L	FE28M051247-20	FE28T051247-20	FE28W051247-21	FE28W051247-22

### 18" Deep Bracket – 20" Deep Shelf

	Powder Coated Steel	Phenolic Resin	Oak Veneer	Maple Veneer
40" L	FE28M061840-20	FE28T061840-20	FE28W061840-21	FE28W061840-22
46" L	FE28M061846-20	FE28T061846-20	FE28W061846-21	FE28W061846-22
29" L	FE28M061829-20	FE28T061829-20	FE28W061829-21	FE28W061829-22
35" L	FE28M061835-20	FE28T061835-20	FE28W061835-21	FE28W061835-22
47" L	FE28M061847-20	FE28T061847-20	FE28W061847-21	FE28W061847-22

# Top Shelves

## Specifications:

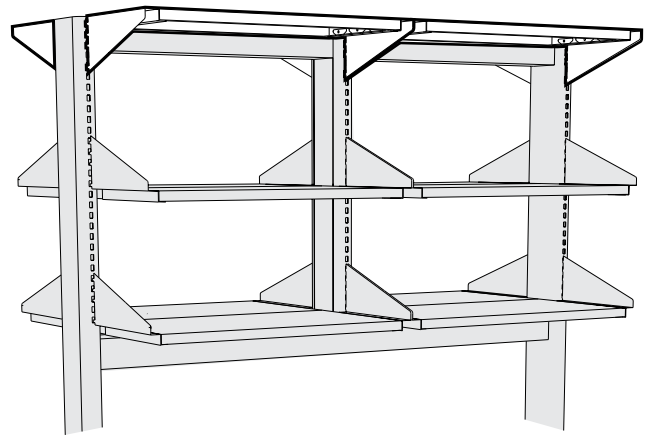
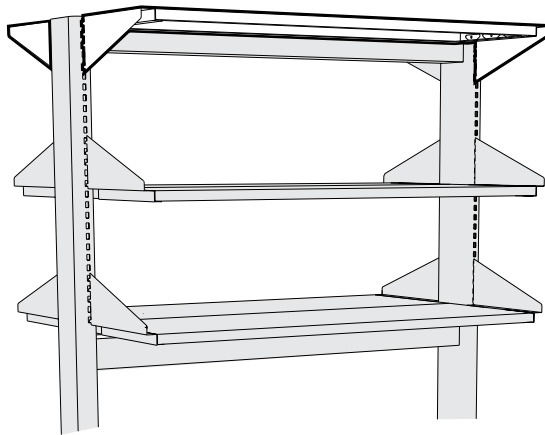
**Double-sided Support Frame Top Shelves** consist of a pair of 11 gauge powder coated steel Shelf Brackets and a Shelf. Top Shelves are designed to mount at the top of the support assembly but are adjustable in height on 1" centers from 60" to 84" above floor. Double-sided Support Frame Top Shelves overhang the rear of the shelf bracket by 1" and are available in Powder Coated Steel, Oak or Maple veneer plywood, or Phenolic Resin.

Powder Coated Steel Shelves — 1" thick, formed from 16 gauge cold rolled steel

Oak or Maple Shelves — 1" thick hardwood plywood with matching veneer on all exposed surfaces

Phenolic Resin — 1" thick phenolic resin

## Top Shelf Assembly for Double-sided Support Frames



**40" Shelf** used on **42" Support Frame**  
**46" Shelf** used on **48" Support Frame**

**29" Shelf** used on **60" Support Frame**  
**35" Shelf** used on **72" Support Frame**  
**47" Shelf** used on **96" Support Frame**

### 9" Deep Bracket – 10" Deep Shelf

	Powder Coated Steel	Phenolic Resin	Oak Veneer	Maple Veneer
40" L	FE28M040940-10	FE28T040940-10	FE28W040940-11	FE28W040940-12
46" L	FE28M040946-10	FE28T040946-10	FE28W040946-11	FE28W040946-12
29" L	FE28M040929-10	FE28T040929-10	FE28W040929-11	FE28W040929-12
35" L	FE28M040935-10	FE28T040935-10	FE28W040935-11	FE28W040935-12
47" L	FE28M040947-10	FE28T040947-10	FE28W040947-11	FE28W040947-12

### 12" Deep Bracket – 13" Deep Shelf

	Powder Coated Steel	Phenolic Resin	Oak Veneer	Maple Veneer
40" L	FE28M051240-10	FE28T051240-10	FE28W051240-11	FE28W051240-12
46" L	FE28M051246-10	FE28T051246-10	FE28W051246-11	FE28W051246-12
29" L	FE28M051229-10	FE28T051229-10	FE28W051229-11	FE28W051229-12
35" L	FE28M051235-10	FE28T051235-10	FE28W051235-11	FE28W051235-12
47" L	FE28M051247-10	FE28T051247-10	FE28W051247-11	FE28W051247-12

### 18" Deep Bracket – 19" Deep Shelf

	Powder Coated Steel	Phenolic Resin	Oak Veneer	Maple Veneer
40" L	FE28M061840-10	FE28T061840-10	FE28W061840-11	FE28W061840-12
46" L	FE28M061846-10	FE28T061846-10	FE28W061846-11	FE28W061846-12
29" L	FE28M061829-10	FE28T061829-10	FE28W061829-11	FE28W061829-12
35" L	FE28M061835-10	FE28T061835-10	FE28W061835-11	FE28W061835-12
47" L	FE28M061847-10	FE28T061847-10	FE28W061847-11	FE28W061847-12