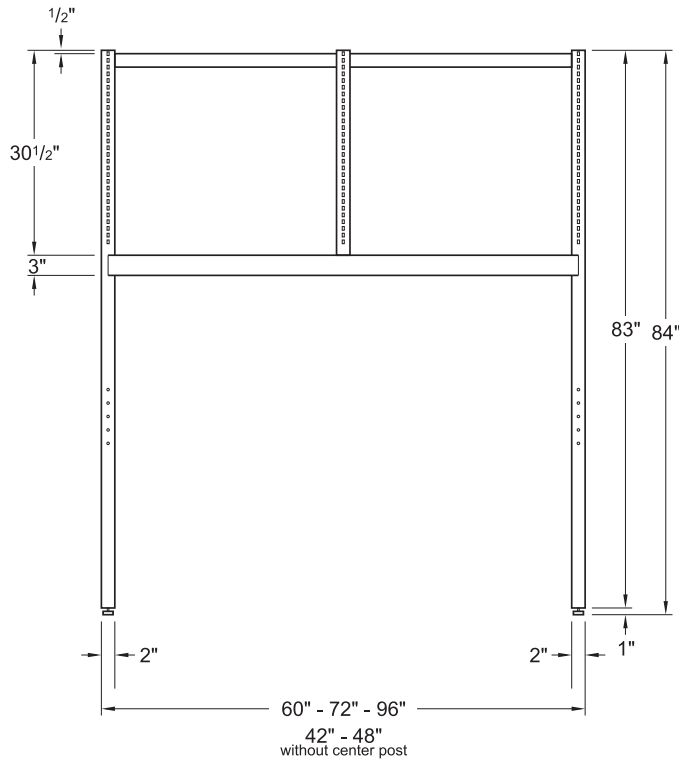
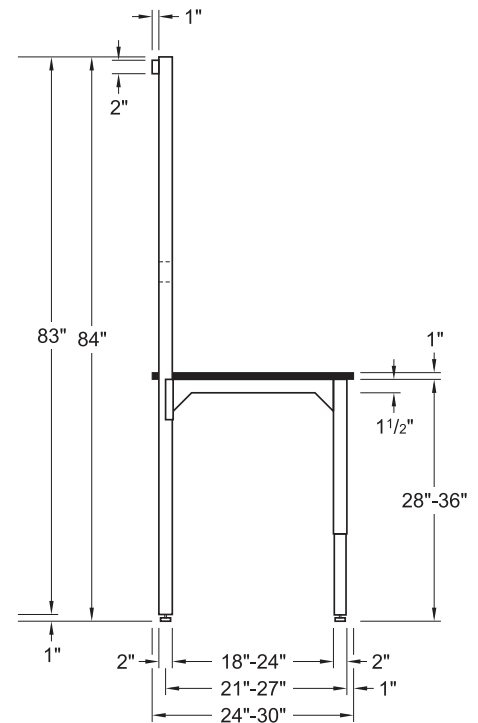


Enterprise Technical Data

Single-sided Workstation Support Frame & Worksurface Frame Dimensions

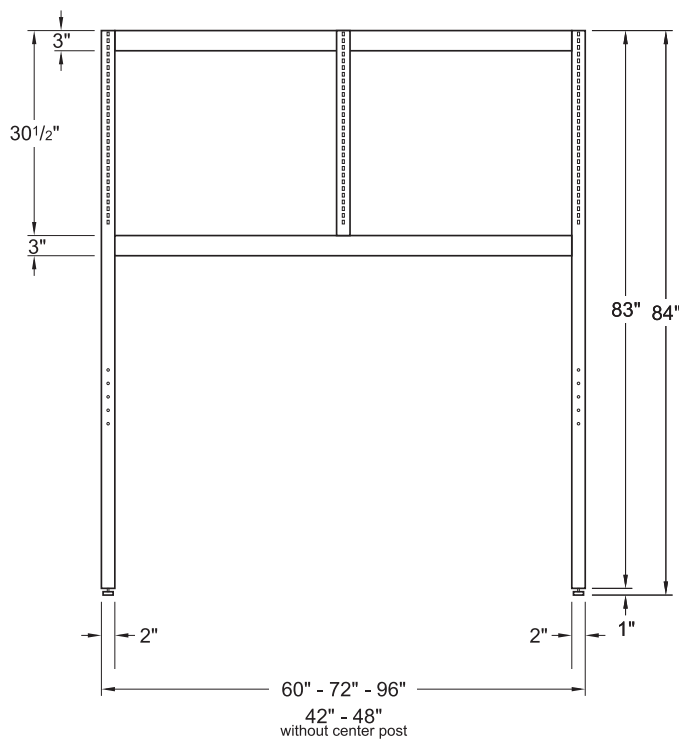


Front Elevation

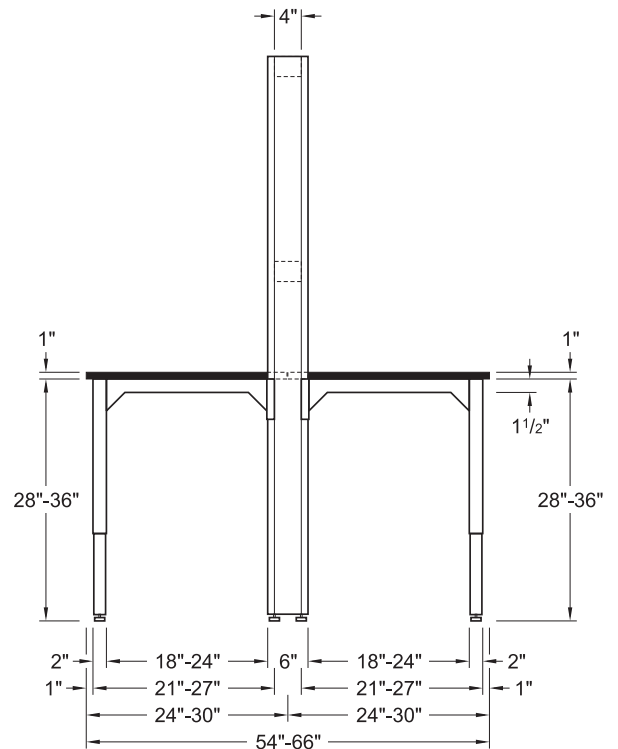


End Elevation

Double-sided Workstation Support Frame & Worksurface Frame Dimensions



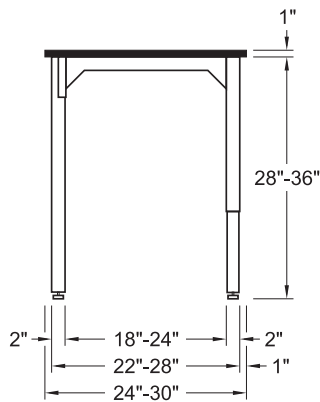
Front Elevation



End Elevation

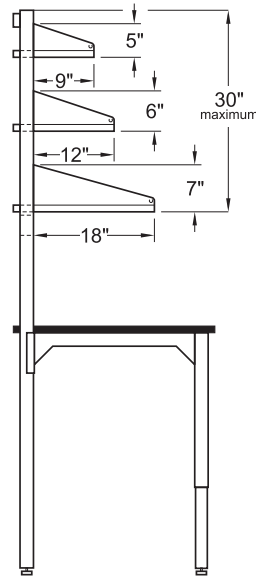
Enterprise Technical Data

Free-standing Table



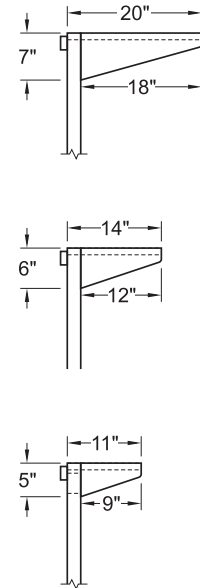
End Elevation

Adjustable Shelf



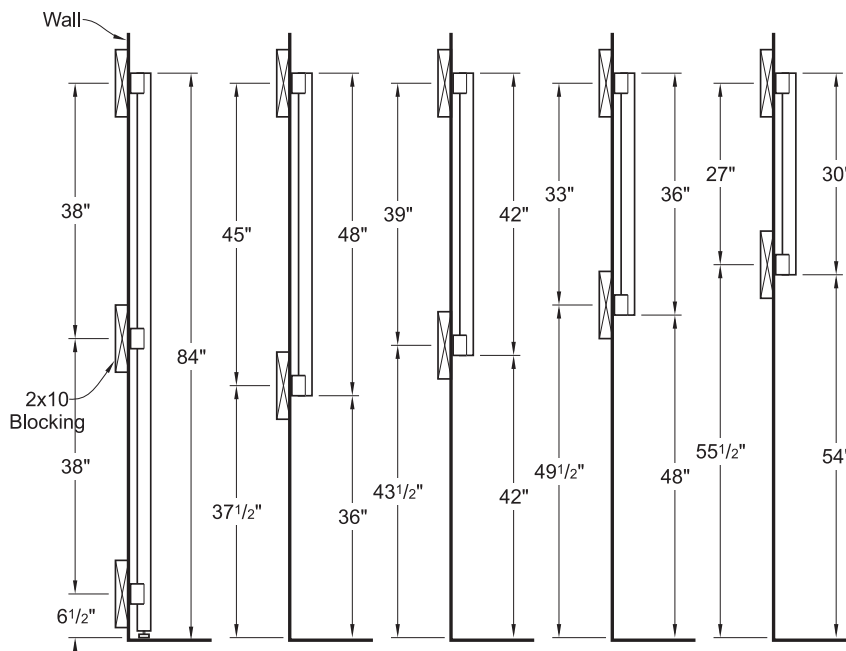
End Elevation

Single-sided Top Shelf



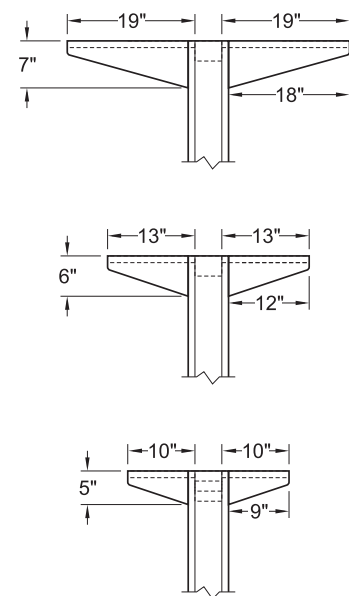
End Elevation

Wall Standard Grounding Details



Recommended Grounding Locations

Double-sided Top Shelf



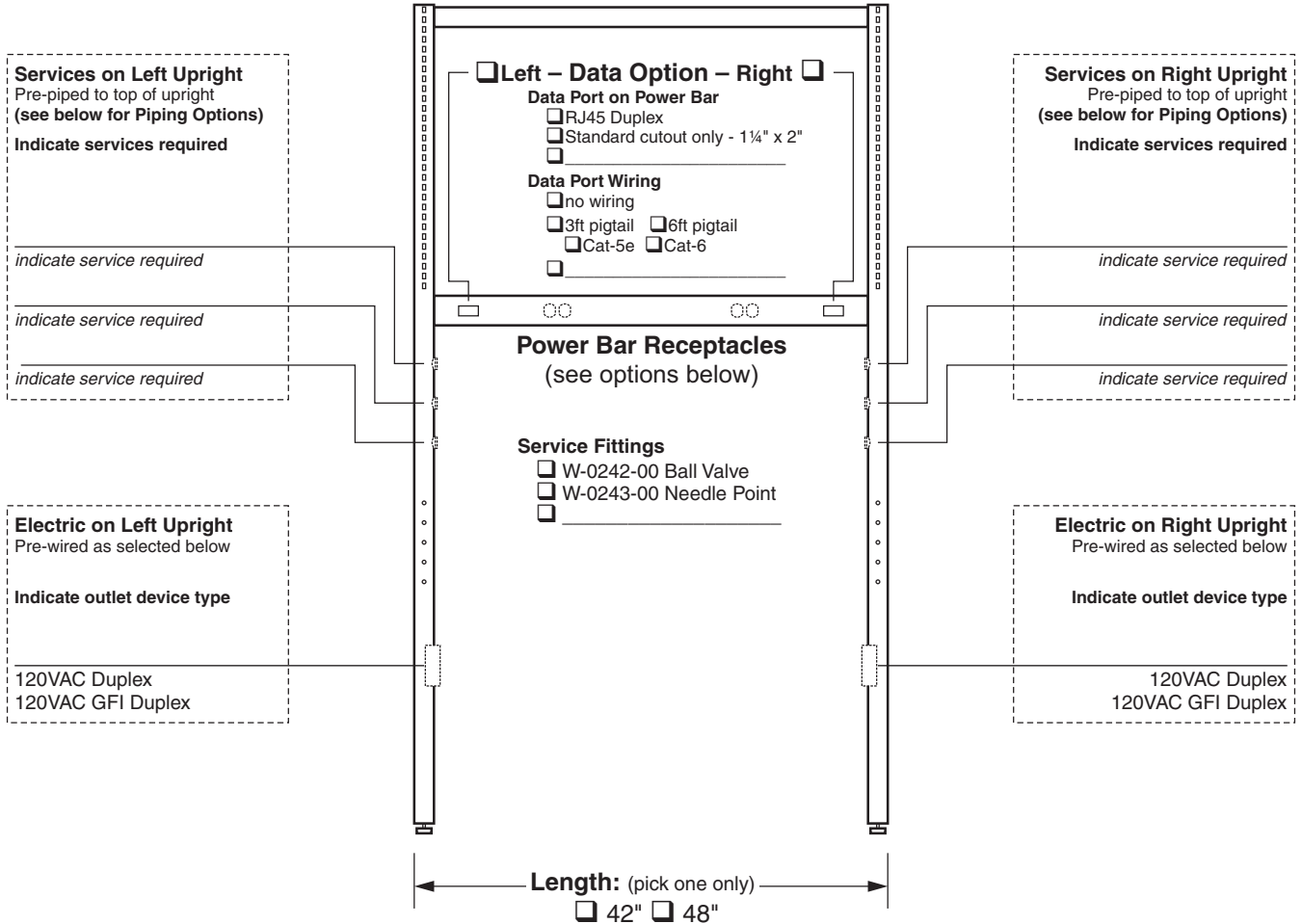
End Elevation

Enterprise Technical Data

Enterprise Workstation Support Frame

FE30M8402XX-00

Single-sided, 2 inch Tube Frame



Power Options: (indicate options required)

Power Bar Receptacles (pick one only)

Two (2) 120 VAC, 20 amp, Duplex
 Two (2) 120 VAC, 20 amp, GFI, Duplex
 None

Power Bar/Upright Electric Wiring (pick one only)

3ft SJ 12/3 pigtail with 20 amp, straight-blade plug
 6ft SJ 12/3 pigtail with 20 amp, straight-blade plug
 3ft SJ 12/3 pigtail with 20 amp, twist-lock plug
 6ft SJ 12/3 pigtail with 20 amp, twist-lock plug
 None

Electrical Pigtail Location (pick one only)

Top of Left Upright
 Top of Right Upright
 N/A

Piping Options: (indicate options required)

Piping Option (pick one only)

Pipe to top of upright

Specify Extension Hoses Separately

Piping/Hose End Option (pick one only)

3/8" IPS Threaded Female (standard)
 1/4" Tube
 3/8" IPS Threaded Male
 Keyed Male Quick-Connect Fitting

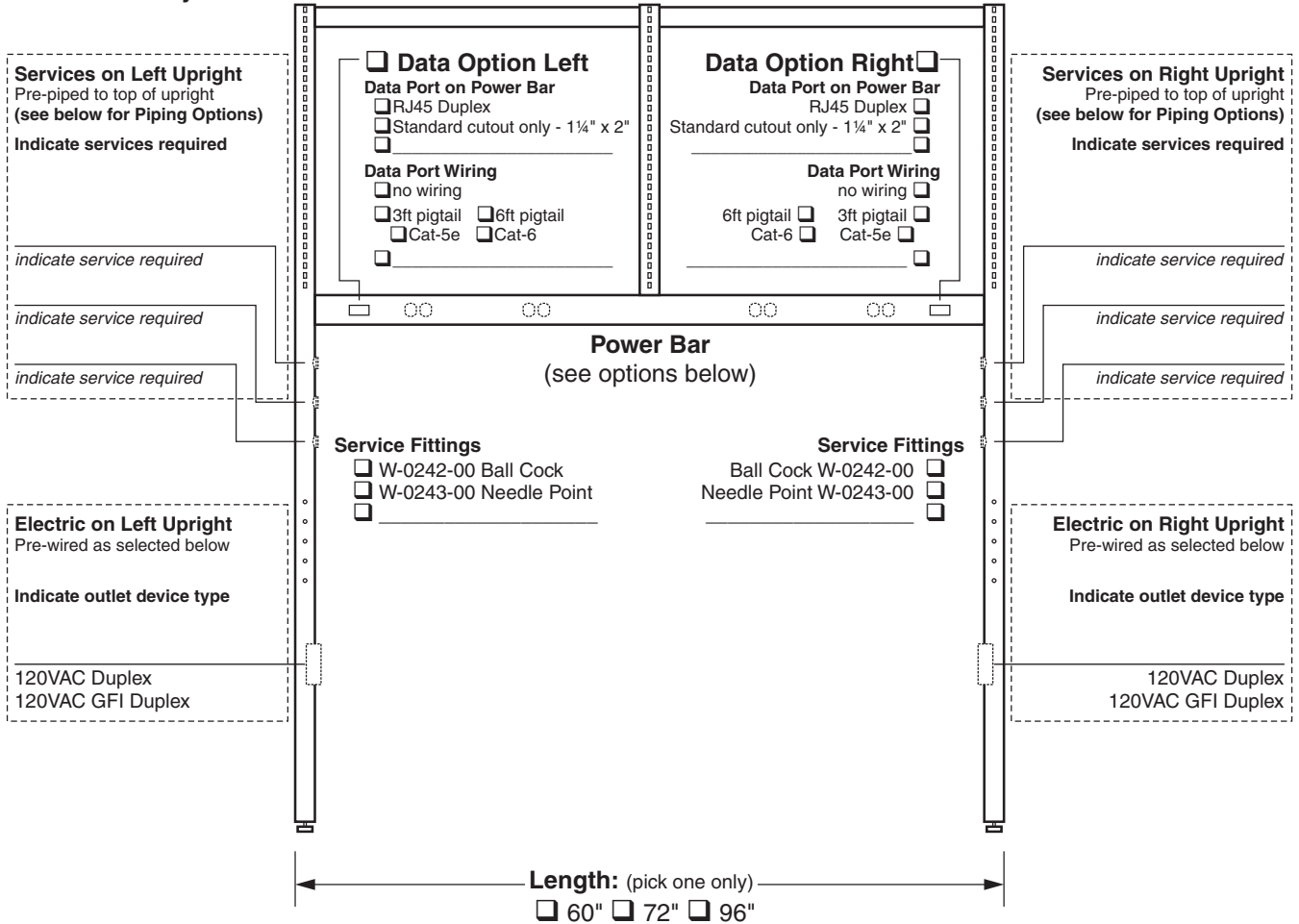
FE30M8402 <input type="checkbox"/> <input type="checkbox"/> -00 <small>LENGTH</small>	<small>COLOR</small>	<small>ITEM NO.</small>

Enterprise Technical Data

Enterprise Workstation Support Frame **FE30M8402XX-00**

Single-sided, 2 inch Tube Frame

Select one only



Power Options: (indicate options required)

Power Bar Receptacles (pick one only)

Four (4) 120 VAC, 20 amp, Duplex

Four (4) 120 VAC, 20 amp, GFI, Duplex

None

Power Bar/Upright Electric Wiring (pick one only)

3ft SJ 12/3 pigtail with 20 amp, straight-blade plug

6ft SJ 12/3 pigtail with 20 amp, straight-blade plug

3ft SJ 12/3 pigtail with 20 amp, twist-lock plug

6ft SJ 12/3 pigtail with 20 amp, twist-lock plug

None

Electrical Pigtail Location (pick one only)

Top of Left Upright

Top of Right Upright

N/A

Piping Options: (indicate options required)

Piping Option (pick one only)

Pipe to top of upright

Specify Extension Hoses Separately

Piping/Hose End Option (pick one only)

3/8" IPS Threaded Female (standard)

1/4" Tube

3/8" IPS Threaded Male

Keyed Male Quick-Connect Fitting

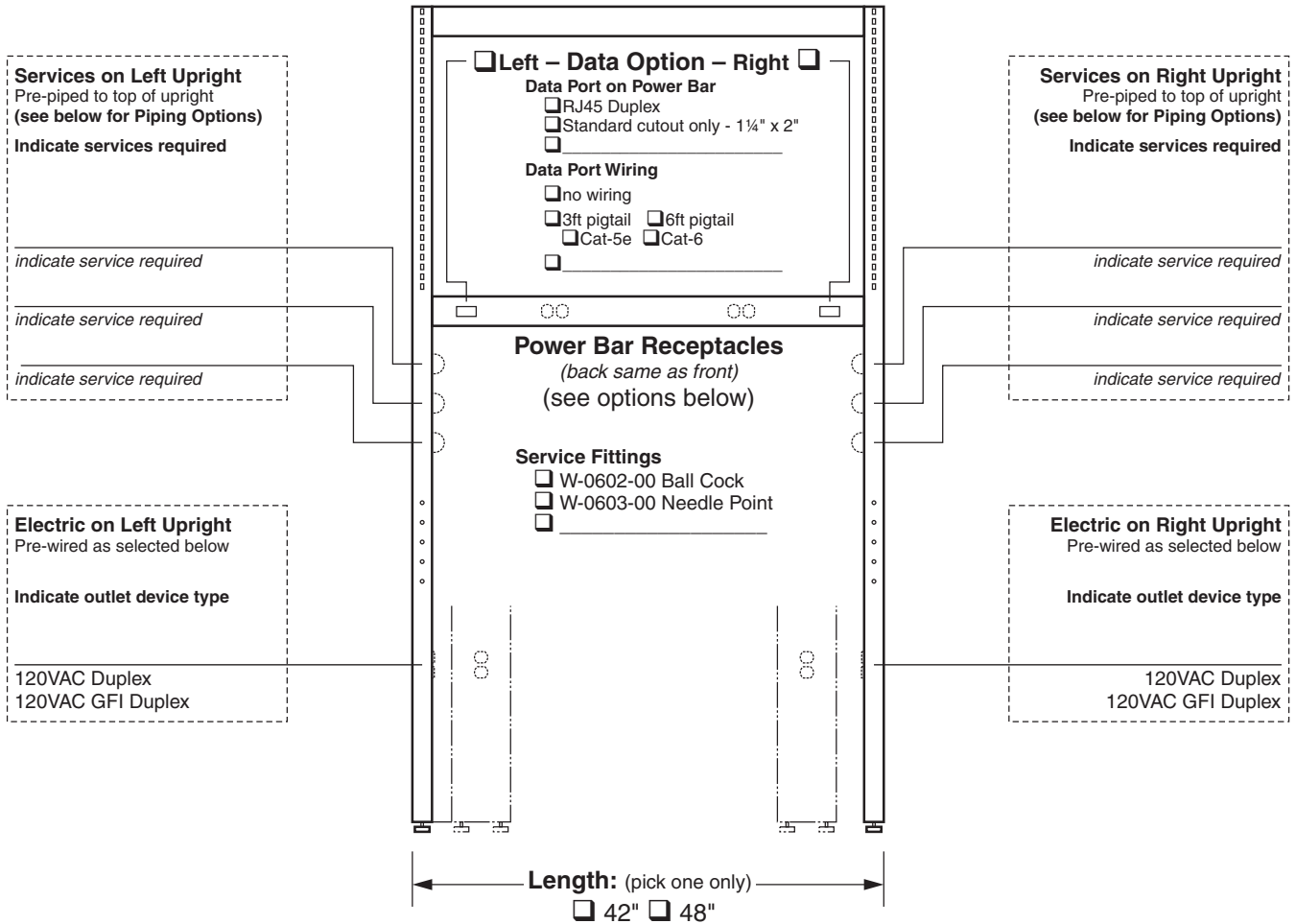
PROJECT NAME:	LENGTH	COLOR	ITEM NO.
	FE30M8402 <input type="checkbox"/> <input type="checkbox"/> -00		
			QUANTITY

Enterprise Technical Data

Enterprise Workstation Support Frame

FE30M8406XX-00

Double-sided, 6 inch Tube Frame



Power Options: (indicate options required)

Power Bar Receptacles (pick one only)

- Two (2) 120 VAC, 20 amp, Duplex
- Two (2) 120 VAC, 20 amp, GFI, Duplex
- None
- _____

Power Bar/Upright Electric Wiring (pick one only)

- 3ft SJ 12/3 pigtail with 20 amp, straight-blade plug
- 6ft SJ 12/3 pigtail with 20 amp, straight-blade plug
- 3ft SJ 12/3 pigtail with 20 amp, twist-lock plug
- 6ft SJ 12/3 pigtail with 20 amp, twist-lock plug
- None
- _____

Electrical Pigtail Location (pick one only)

- Top of Left Upright
- Top of Right Upright
- N/A

Piping Options: (indicate options required)

Piping Option (pick one only)

- Pipe to top of upright
- Pipe to top of upright with extra 3ft of hose
- Pipe to top of upright with extra 6ft of hose
- _____

Specify Extension Hoses Separately

Piping/Hose End Option (pick one only)

- 3/8" IPS Threaded Female (standard)
- 1/4" Tube
- 3/8" IPS Threaded Male
- Keyed Male Quick-Connect Fitting
- _____

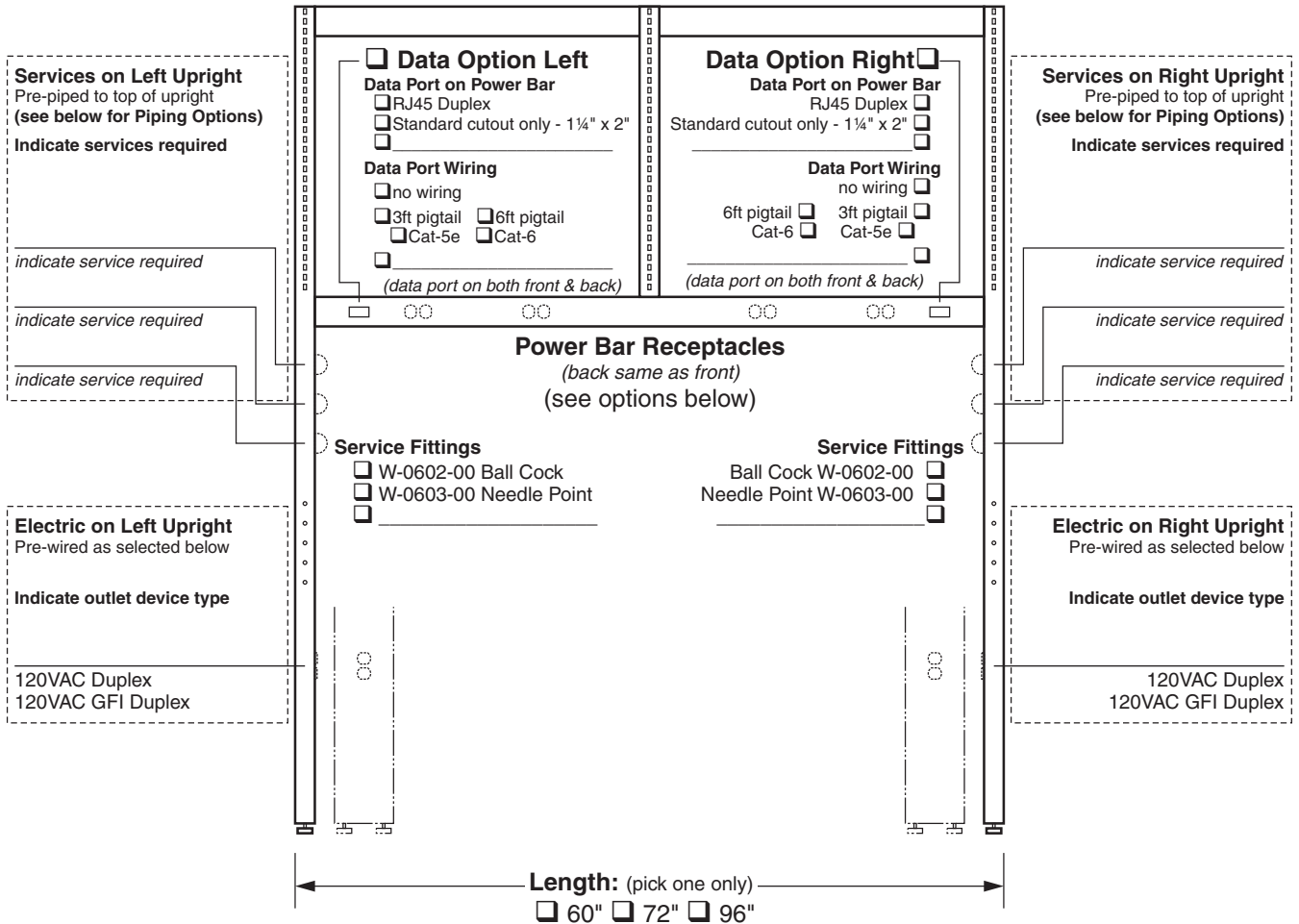
FE30M8406	LENGTH <input type="checkbox"/> <input type="checkbox"/> _____	COLOR _____	ITEM NO. _____
	PROJECT NAME: _____		

Enterprise Technical Data

Enterprise Workstation Support Frame

FE30M8406XX-00

Double-sided, 6 inch Tube Frame



Power Options: (indicate options required)

Power Bar Receptacles (pick one only)
 Four (4) 120 VAC, 20 amp, Duplex
 Four (4) 120 VAC, 20 amp, GFI, Duplex
 None

Power Bar/Upright Electric Wiring (pick one only)
 3ft SJ 12/3 pigtail with 20 amp, straight-blade plug
 6ft SJ 12/3 pigtail with 20 amp, straight-blade plug
 3ft SJ 12/3 pigtail with 20 amp, twist-lock plug
 6ft SJ 12/3 pigtail with 20 amp, twist-lock plug
 None

Electrical Pigtail Location (pick one only)
 Top of Left Upright
 Top of Right Upright
 N/A

Piping Options: (indicate options required)

Piping Option (pick one only)
 Pipe to top of upright
 Pipe to top of upright with extra 3ft of hose
 Pipe to top of upright with extra 6ft of hose

Specify Extension Hoses Separately

Piping/Hose End Option (pick one only)
 3/8" IPS Threaded Female (standard)
 1/4" Tube
 3/8" IPS Threaded Male
 Keyed Male Quick-Connect Fitting

FE30M8406	LENGTH <input type="checkbox"/> <input type="checkbox"/> _____	COLOR	ITEM NO.
	PROJECT NAME:		QUANTITY

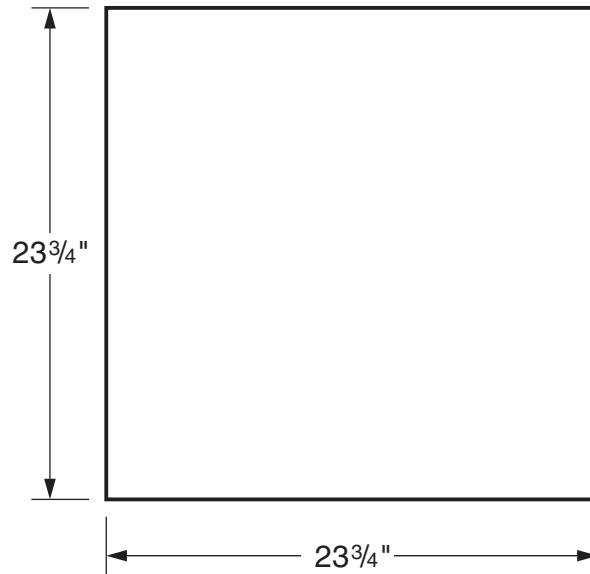
Enterprise Technical Data

Ceiling Service Panel

SC10M022424-00

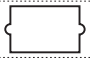
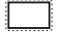

24 inch x 24 inch

Plan View of Ceiling Panel



sketch in cutouts required

Order Devices for Panel Cutouts Separately

Cutout Options:		Size	Quantity
	Electrical Cutout 0656 & 0620	Cutout: 2 1/4" x 3 3/8" Faceplate: 2 3/4" x 4 1/2"	<i>sketch in location above</i>
	Data Cutout X-020019	Cutout: 1 1/4" x 2" Escutcheon: 1 1/2" x 2 1/4"	<i>sketch in location above</i>
	Quick-connect Cutout W-9122	Cutout: 1 1/4" Diameter Escutcheon: 1 3/4" Diameter	<i>sketch in location above</i>
	Custom Cutout 1	Cutout Size: <i>sketch in size above</i>	<i>sketch in location above</i>
	Custom Cutout 2	Cutout Size: <i>sketch in size above</i>	<i>sketch in location above</i>
	Custom Cutout 3	Cutout Size: <i>sketch in size above</i>	<i>sketch in location above</i>

SC10M022424-00	COLOR		ITEM NO.
	PROJECT NAME:		QUANTITY

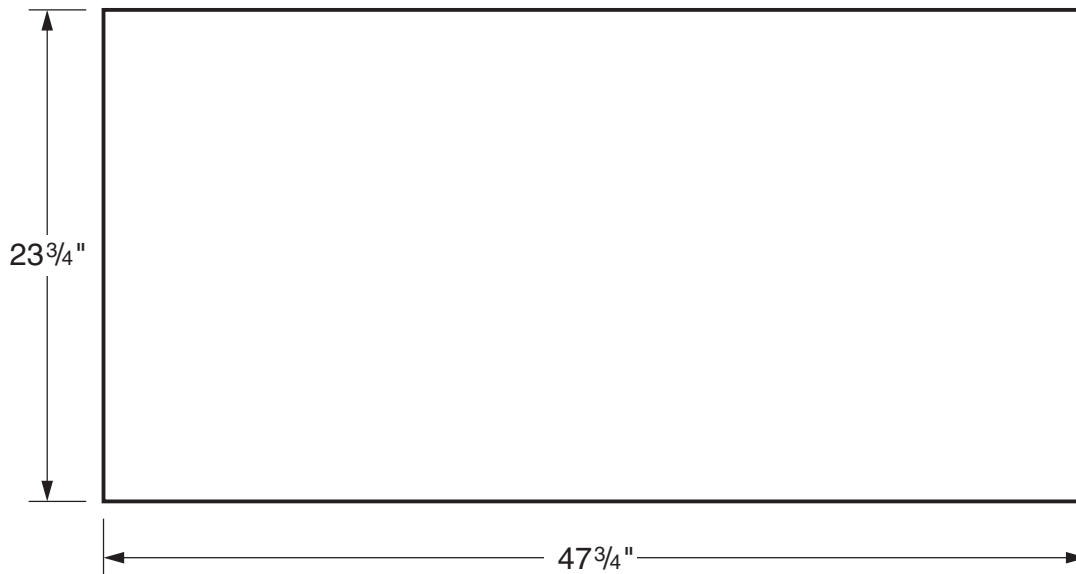
Enterprise Technical Data

Ceiling Service Panel

SC10M022448-00

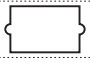
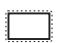

24 inch x 48 inch

Plan View of Ceiling Panel



sketch in cutouts required

Order Devices for Panel Cutouts Separately

Cutout Options:		Size	Quantity
	Electrical Cutout 0656 & 0620	Cutout: 2 1/4" x 3 3/8" Faceplate: 2 3/4" x 4 1/2"	<i>sketch in location above</i>
	Data Cutout X-020019	Cutout: 1 1/4" x 2" Escutcheon: 1 1/2" x 2 1/4"	<i>sketch in location above</i>
	Quick-connect Cutout W-9122	Cutout: 1 1/4" Diameter Escutcheon: 1 3/4" Diameter	<i>sketch in location above</i>
	Custom Cutout 1	Cutout Size: <i>sketch in size above</i>	<i>sketch in location above</i>
	Custom Cutout 2	Cutout Size: <i>sketch in size above</i>	<i>sketch in location above</i>
	Custom Cutout 3	Cutout Size: <i>sketch in size above</i>	<i>sketch in location above</i>

SC10M022448-00	COLOR		ITEM NO.
	PROJECT NAME:		QUANTITY