

Kewaunee Matrix



WOOD
INNOVATIVE EDUCATIONAL
LABORATORY FURNITURE

KEWAUNEE®

...encouraging new discovery

Kewaunee Matrix Instructor Station

Specifications

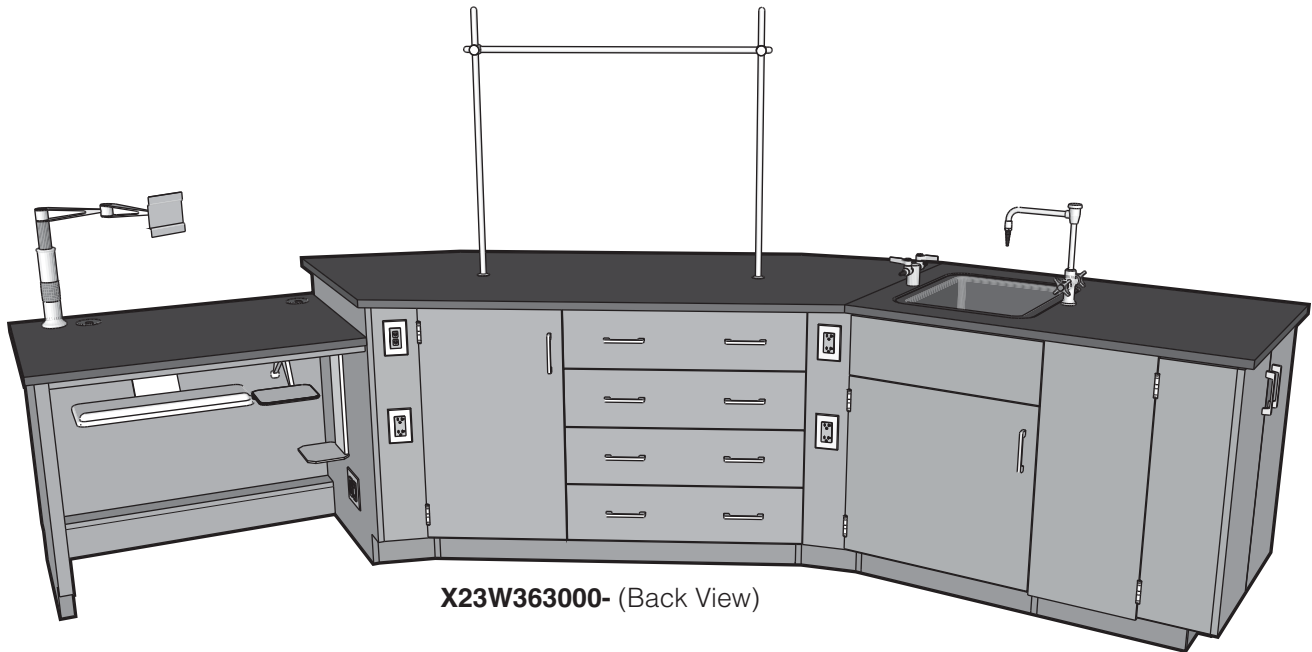
Kewaunee Matrix Instructor Station provides the space required to conduct effective table top demonstrations. Stations are available in either left or right hand configurations. Both have cupboard, multi-media, and drawer storage areas, a 1" thick

black Kemresin® work top and drop-in sink.

Station includes: fittings, fixtures, sink, rod sockets, upright rod assembly, keyboard tray, monitor arm, CPU holder, finished back, and filler panels.

Note: Last four digits of part number designates door style, hinge, hardwood species, and pull selection. See page 4 of Signature Series Wood catalog for full explanation. Actual product may vary slightly from catalog illustration due to style and hardware selection.

Kewaunee Matrix Instructor Station



X23W363000- (Back View)

X23W363000-_____ 36" High x 30" Deep x 140" Long **(Sink on Right)**
X33W363000-_____ 36" High x 30" Deep x 140" Long **(Sink on Left)**

Work Top: 1" Thick Black Kemresin

Work Top Size: 30" x 140"

Cabinets: G40W312838
G77W362848
G83W362848

Desk Assembly
Sink/Multi-media Storage Cabinet
Drawer Cupboard Cabinet

Sink: (1) **1003-DI-BK** Drop-in Kemresin® – 11" Deep x 15" x 18"
(1) **0482-BP** 1½" I.P.S. Sink Outlet

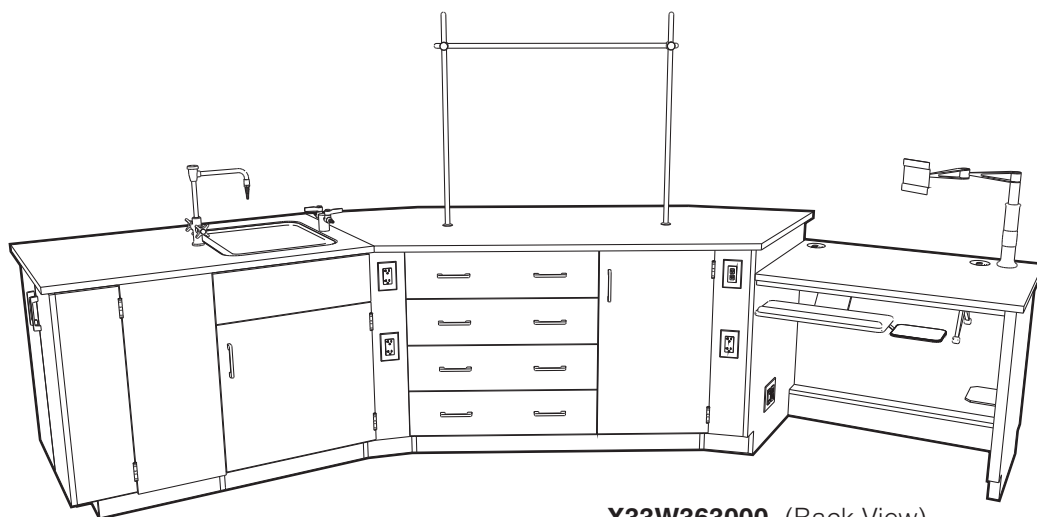
Electric Fixtures: (3) **0656-1K** 120 VAC GFI Duplex Receptacle
(1) **0720-1K** Duplex RJ45 Data Jack
(1) **0721-6K** 120 VAC Duplex/Duplex RJ45 Data

Fittings: (1) **W-0340-0V** Water Mixing Faucet w/VB Gooseneck
(1) **W-0263-0G** 90° Double Outlet Gas Fitting
(2) **0548-00** Rod Sockets
(1) **4740-00** Upright Rod Assembly
(1) **F72M1220-00** Keyboard Tray
(1) **F72M0808-0T** Mouse Platform
(1) **F-5435-00** Monitor Arm
(1) **F-5436-00** CPU Holder

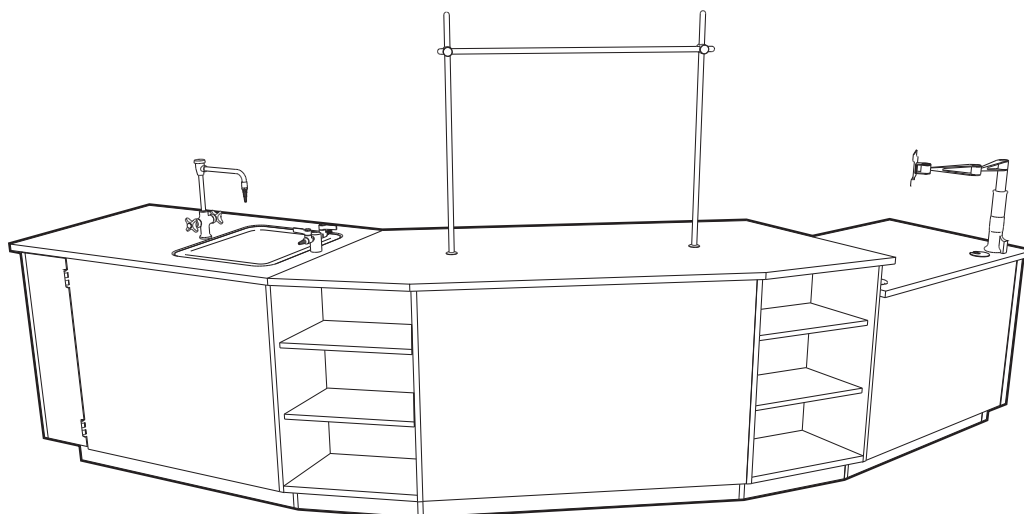
Options:

X23W363000-T_____ Without Work Top, Sink, Fittings & Fixtures (Sink on Right)
X33W363000-T_____ Without Work Top, Sink, Fittings & Fixtures (Sink on Left)

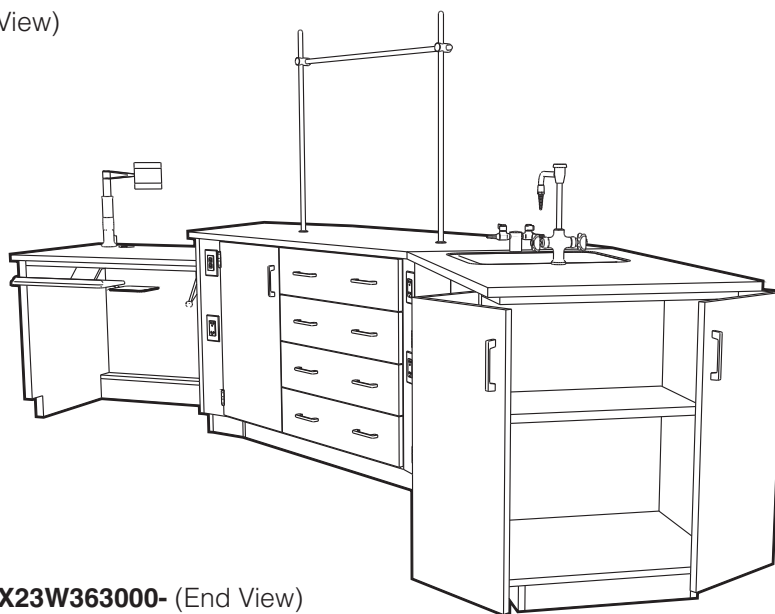
Kewaunee Matrix Instructor Station



X33W363000- (Back View)



X23W363000- (Front View)



X23W363000- (End View)

Kewaunee Matrix Student Stations

Specifications

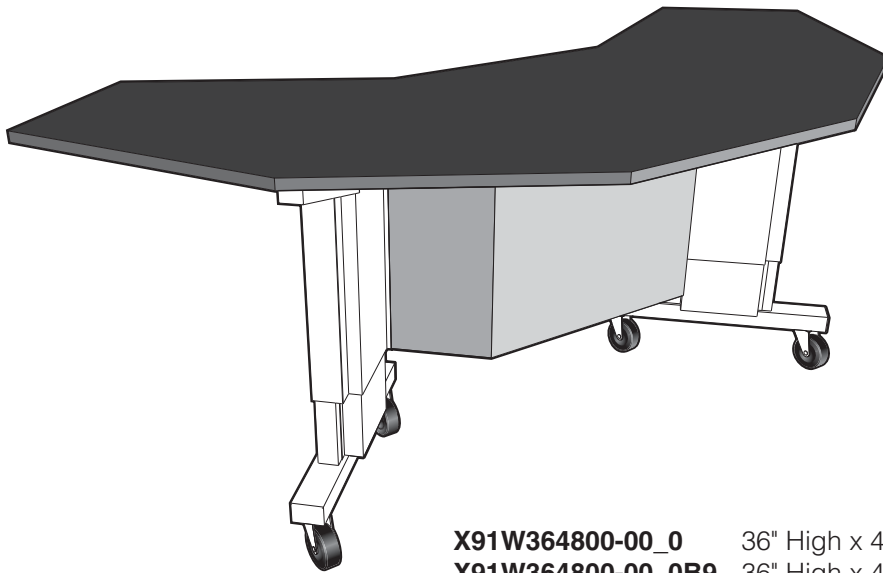
Kewaunee Matrix Power Adjustable Height Student Stations provide a movable, adaptable teaching space on a steel tubular frame with hardwood veneer plywood modesty panels. The stations are adjustable in height from 31" to 38" by means of an electronically controlled lift mechanism with up

and down push button controls and three programmable memory location buttons.

Available on casters or glides, the stations are complete with 1" thick black Kemresin work top and six foot, 3-wire, 20 amp pigtail.

An optional six outlet power strip is available to provide power to the student work space.

Kewaunee Matrix Power Adjustable Height Student Station



X91W364800-00_0 36" High x 48" Deep x 101" Long **(With Legs)**
X91W364800-00_0B9 36" High x 48" Deep x 101" Long **(With Casters)**

Work Top: 1" Thick Black Kemresin

Work Top Size: 48" x 101"

Work Top Height: Adjustable from 31" to 38"

Support Frame: Steel Tubular Frame - Hardwood Veneer Plywood Modesty Panels

Height Adjustment Type: Electric Motor with Three (3) position Memory Switch

Dynamic Load Capacity: 1200 pounds (evenly distributed)

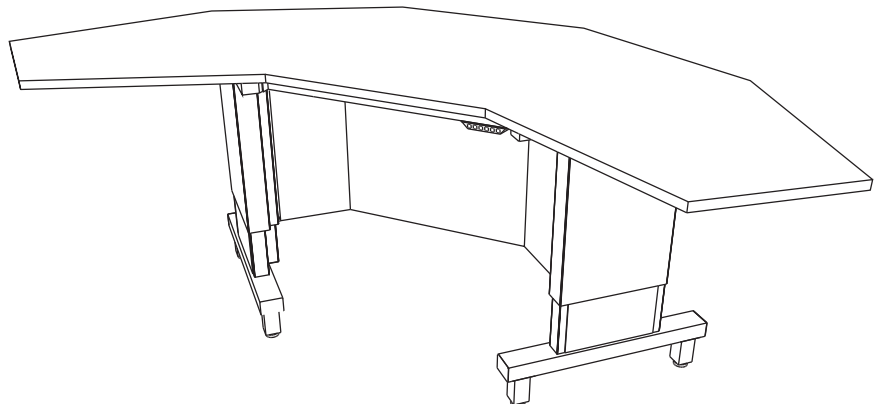
X-020018 Optional Power Strip

120 VAC, 20 amp, six outlet power strip with six foot 12/3 cord. May be mounted to either side of the table frame to provide power for student work areas.

Options:

X91W364800-T00_0 Without Work Top (With Legs)

X91W364800-T00_0B9 Without Work Top (With Casters)



Kewaunee Matrix Student Stations

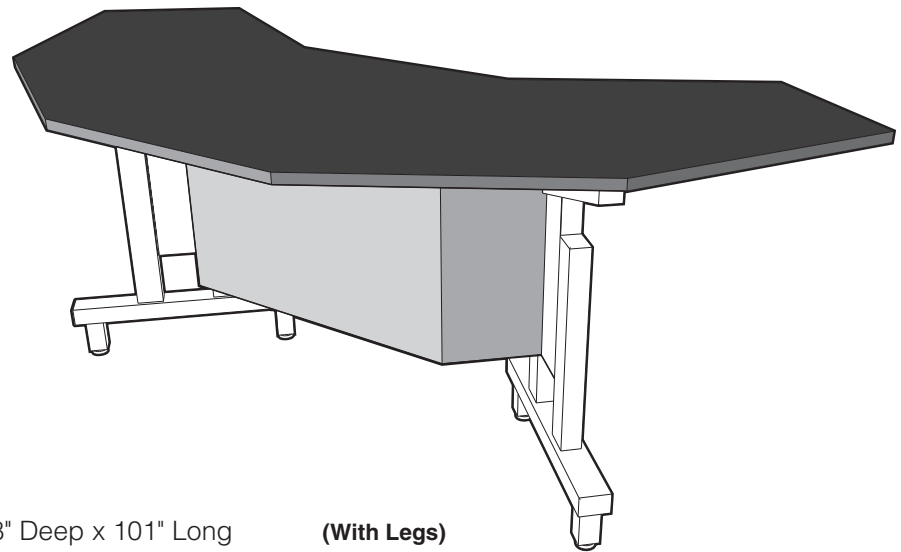
Specifications

Kewaunee Matrix Manual Adjustable Height Student Stations provide a movable, adaptable teaching space on a steel tubular frame with hardwood veneer plywood modesty panels. The stations are adjustable in height from 31" to 38" in 1" increments.

Available on casters or glides, the stations are complete with 1" thick black Kemresin work top

An optional six outlet power strip is available to provide power to the student work space.

Kewaunee Matrix Manual Adjustable Height Student Station



X90W364800-00_0 36" High x 48" Deep x 101" Long **(With Legs)**

X90W364800-00_0B9 36" High x 48" Deep x 101" Long **(With Casters)**

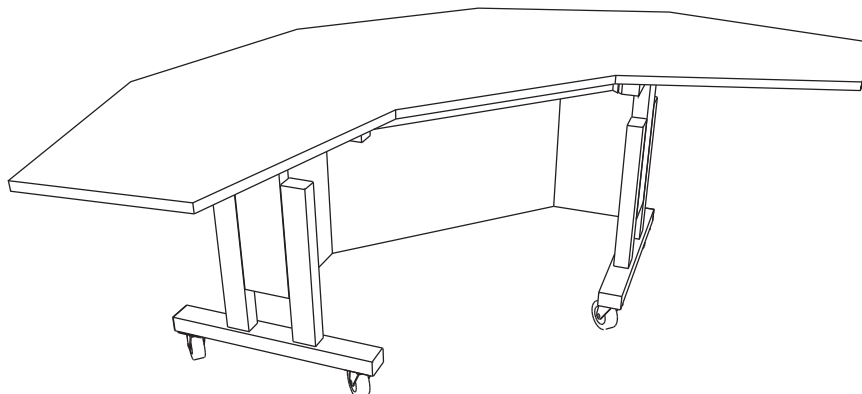
- Work Top:** 1" Thick Black Kemresin
- Work Top Size:** 48" x 101"
- Work Top Height:** Adjustable from 31" to 38"
- Support Frame:** Steel Tubular Frame - Hardwood Veneer Plywood Modesty Panels
- Height Adjustment Type:** Bolt-thru on 1" centers
- Load Capacity:** 1200 pounds (evenly distributed)

Options:

X90W364800-T00_0 Without Work Top (With Legs)

X90W364800-T00_0B9 Without Work Top (With Casters)

X-020018 Optional Power Strip
120 VAC, 20 amp, six outlet power strip with six foot 12/3 cord. May be mounted to either side of the table frame to provide power for student work areas.



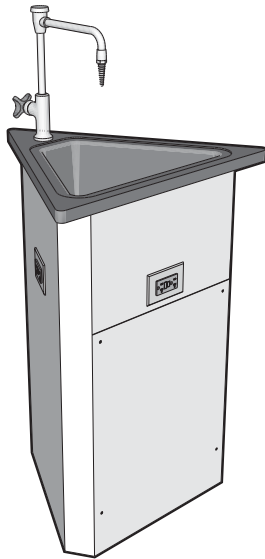
Kewaunee Matrix Pedestals

Specifications

Kewaunee Matrix Sink Pedestals are designed to be used in conjunction with the Kewaunee Matrix Student Stations. The three 27" long edges match the 27" long edges of the student station allowing multiple configuration options.

Sink Pedestals are available in three standard heights and are furnished complete with black Kemresin® work top, drop-in sink, and cold water faucet. They are available with or without, three 120 VAC GFI Duplex Receptacles.

Kewaunee Matrix Sink Pedestal



With Electric Fittings

X94W362727-00_0	36" High x 22" Deep x 27" Long	Standing Height
X94W342727-00_0	34" High x 22" Deep x 27" Long	ADA Height
X94W312727-00_0	31" High x 22" Deep x 27" Long	Sitting Height

Without Electric Fittings

X92W362727-00_0	36" High x 22" Deep x 27" Long	Standing Height
X92W342727-00_0	34" High x 22" Deep x 27" Long	ADA Height
X92W312727-00_0	31" High x 22" Deep x 27" Long	Sitting Height

Work Top: 1" Thick Black Kemresin

Work Top Size: 22" x 27"

Work Top Height: 31" - 34" - 36"

Sink: (1) **1044-DI-BK**

(1) **0482-BP**

Fixture: (1) **W-0337-0V**

Fittings: (3) **0656-1K** (X94 only)

Drop-in Kemresin - 6 1/2"H 12 3/8"W x 15 3/4"L

1 1/2" I.P.S. Sink Outlet

Cold Water Faucet with VB Gooseneck

120 VAC GFI Duplex Receptacle

Options:

X94W362727-00_OT	Without Top, Sink, and Fixture	Standing Height
X94W342727-00_OT	Without Top, Sink, and Fixture	ADA Height
X94W312727-00_OT	Without Top, Sink, and Fixture	Sitting Height
X92W362727-00_OT	Without Top, Sink, and Fixture	Standing Height
X92W342727-00_OT	Without Top, Sink, and Fixture	ADA Height
X92W312727-00_OT	Without Top, Sink, and Fixture	Sitting Height

Kewaunee Matrix Pedestals

Specifications

Kewaunee Matrix Fixed Pedestals are designed to be used in conjunction with the Kewaunee Matrix Student Stations. The three 27" long edges match the 27" long edges of the student station allowing multiple configuration options.

Fixed Pedestals are available in three standard heights and are furnished complete with black Kemresin® work top. They are available with or without, three 120 VAC GFI Duplex Receptacles.

Kewaunee Adjustable Height Pedestals use the same black Kemresin® work top as the Fixed Pedestal, but is mounted on an adjustable height, three-legged steel base. The pedestal is adjustable in height from 31" to 38".

Kewaunee Matrix Fixed Pedestal

With Electric Fittings

X95W362727-00_0	36" High x 22" Deep x 27" Long	Standing Height
X95W342727-00_0	34" High x 22" Deep x 27" Long	ADA Height
X95W312727-00_0	31" High x 22" Deep x 27" Long	Sitting Height

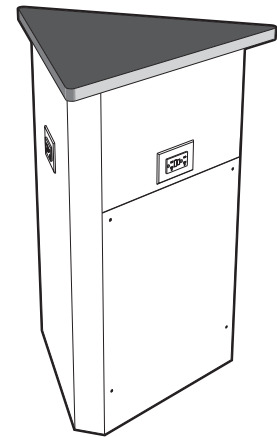
Without Electric Fittings

X93W362727-00_0	36" High x 22" Deep x 27" Long	Standing Height
X93W342727-00_0	34" High x 22" Deep x 27" Long	ADA Height
X93W312727-00_0	31" High x 22" Deep x 27" Long	Sitting Height

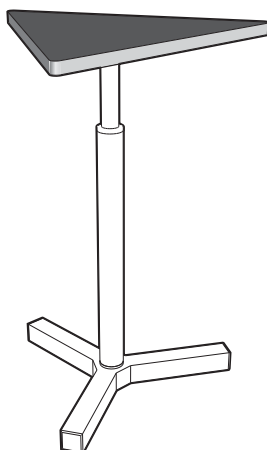
- Work Top:** 1" Thick Black Kemresin
- Work Top Size:** 22" x 27"
- Work Top Height:** 31" - 34" - 36"
- Fittings:** (3) **0656-1K** (X95 only) 120 VAC GFI Duplex Receptacle

Options:

X95W362727-00_0T	Without Top	Standing Height
X95W342727-00_0T	Without Top	ADA Height
X95W312727-00_0T	Without Top	Sitting Height
X93W362727-00_0T	Without Top	Standing Height
X93W342727-00_0T	Without Top	ADA Height
X93W312727-00_0T	Without Top	Sitting Height



Kewaunee Matrix Adjustable Height Pedestal



X96W362727-00_0 Adjustable Height x 22" Deep x 27" Long

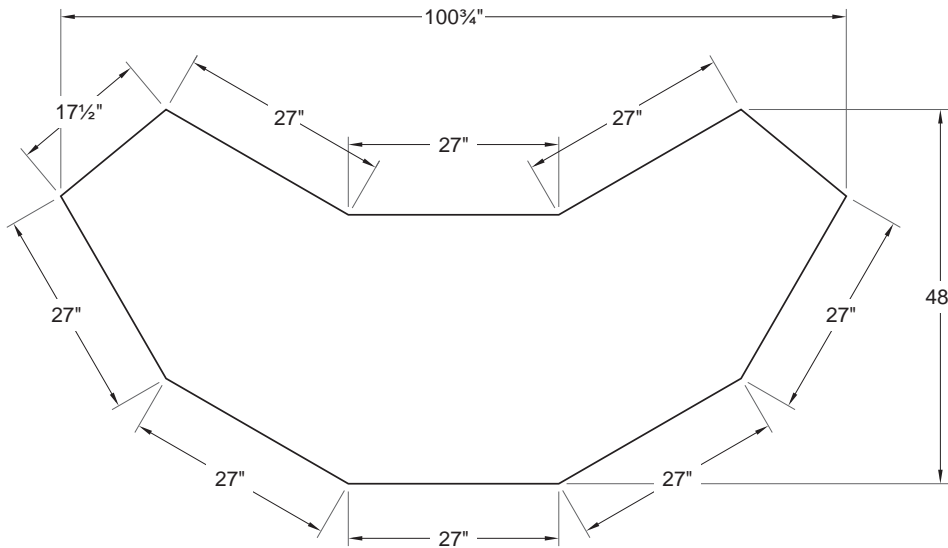
- Work Top:** 1" Thick Black Kemresin
- Work Top Size:** 22" x 27"
- Work Top Height:** Adjustable from 31" to 36"

Options:

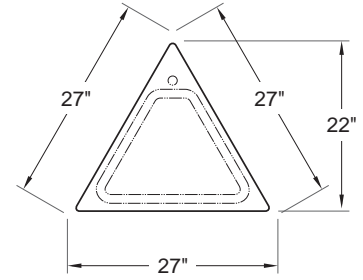
X96W362727-00_0T Without Top

Technical Information

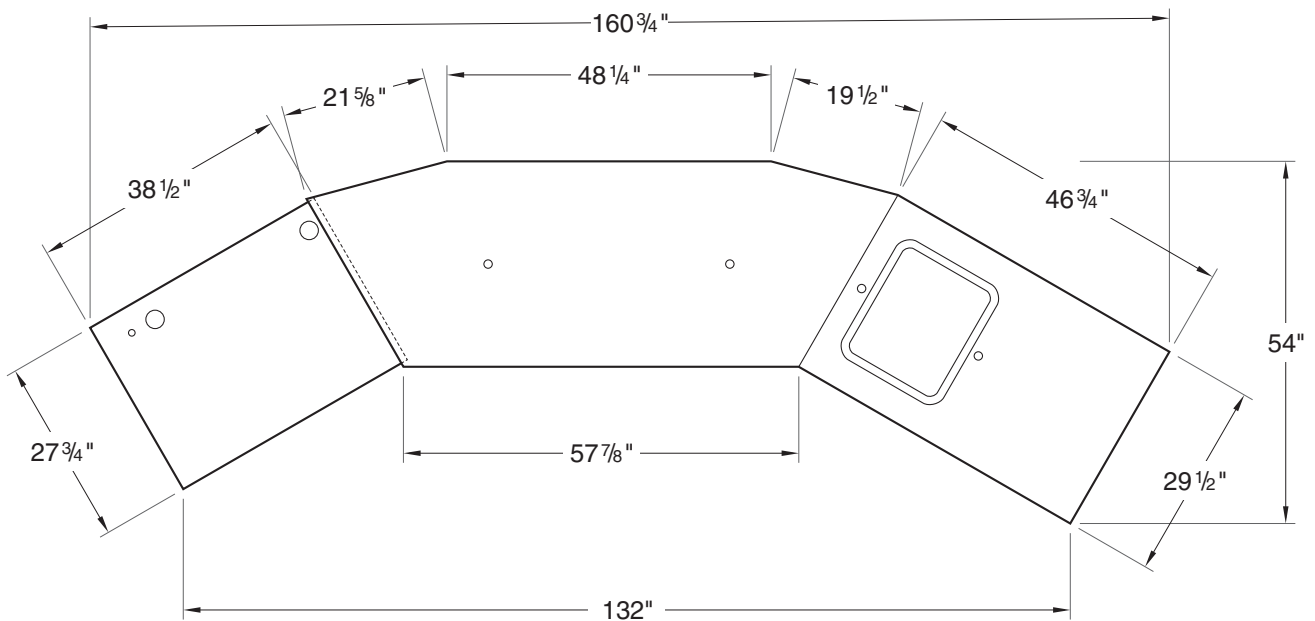
Student Station Work Top Dimensions



Pedestal Work Top Dimensions



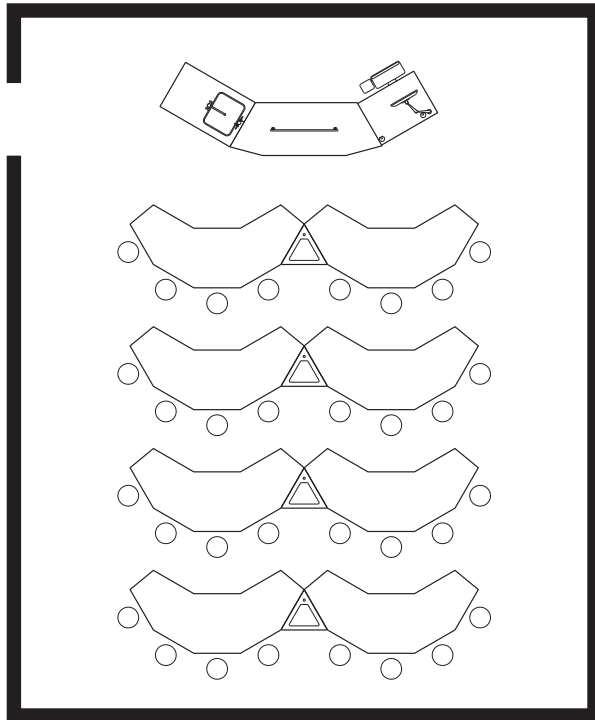
Instructor Station Work Top Dimensions



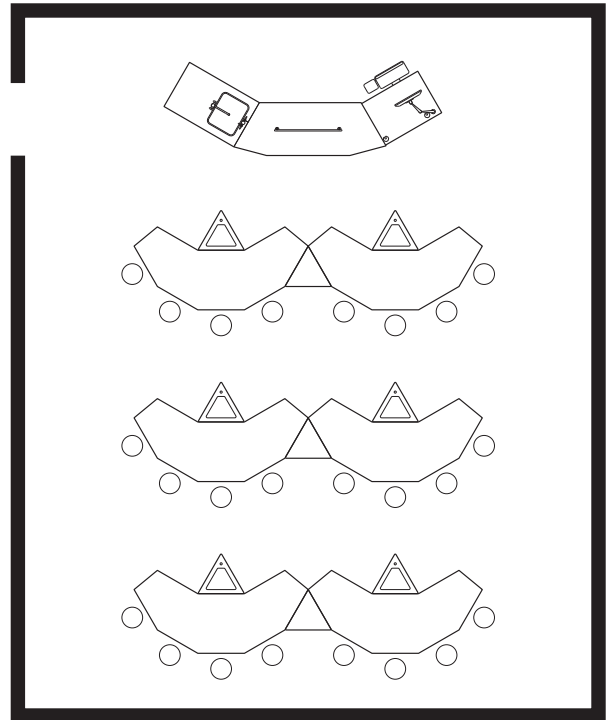
Technical Information

Example Classroom Layouts

Layout 1

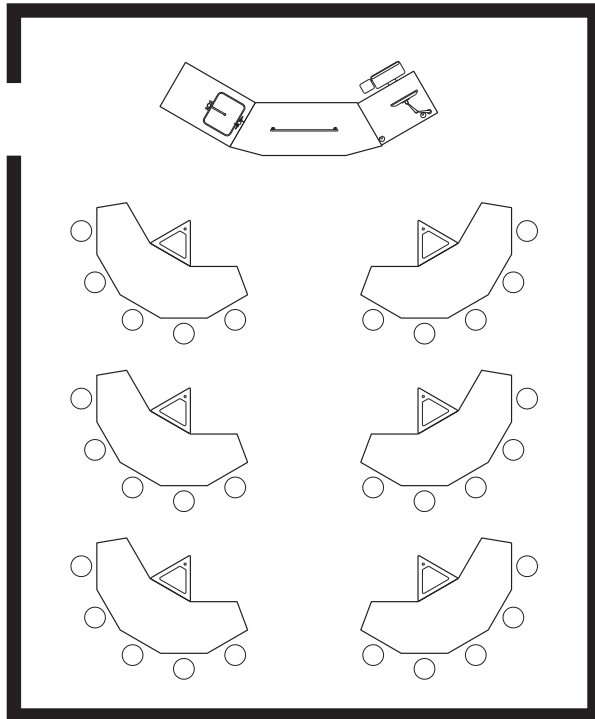


Layout 2

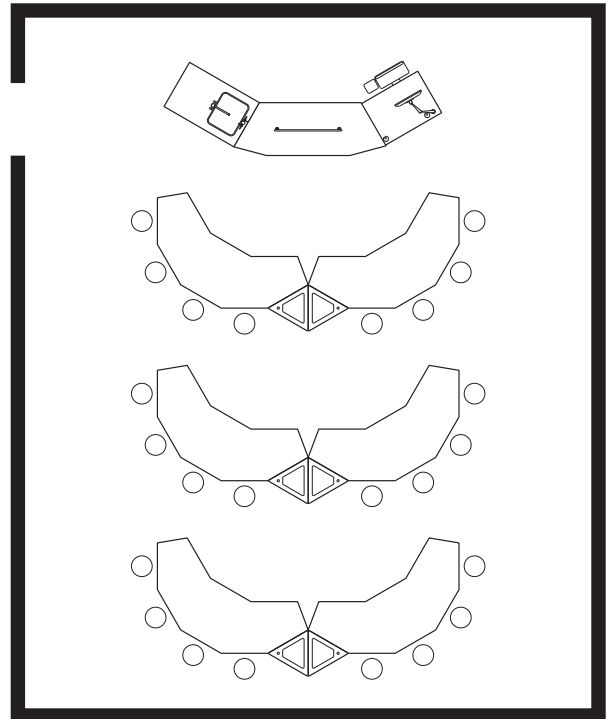


Drawings based on 28' x 34' classroom

Layout 3



Layout 4

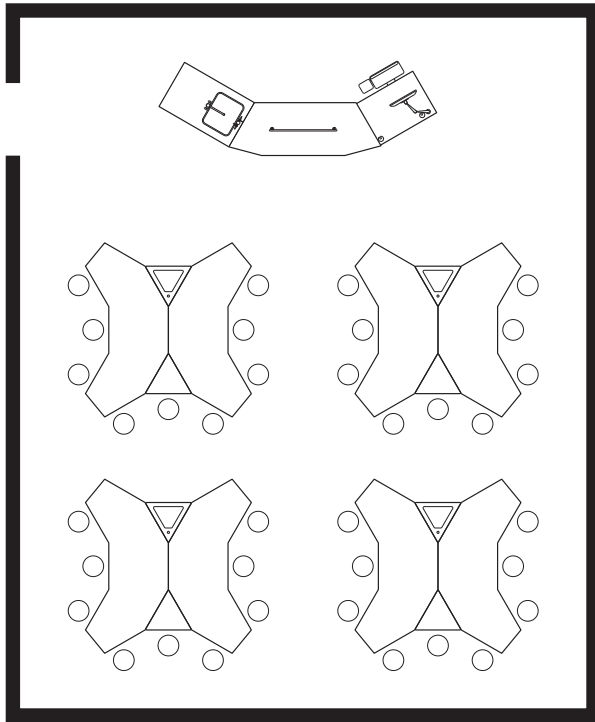


Drawings based on 28' x 34' classroom

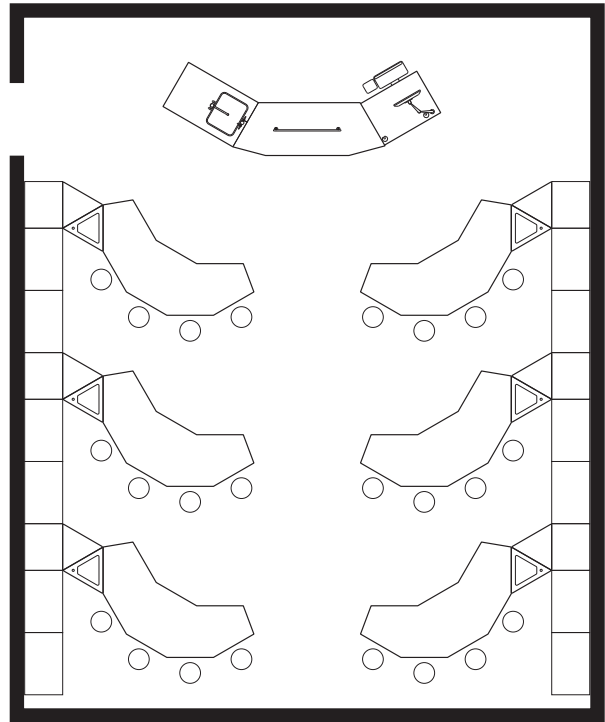
Technical Information

Example Classroom Layouts

Layout 5

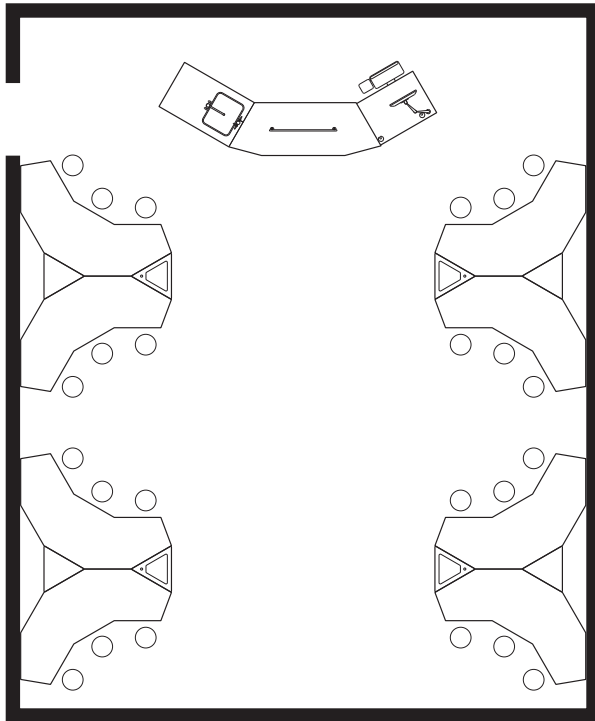


Layout 6

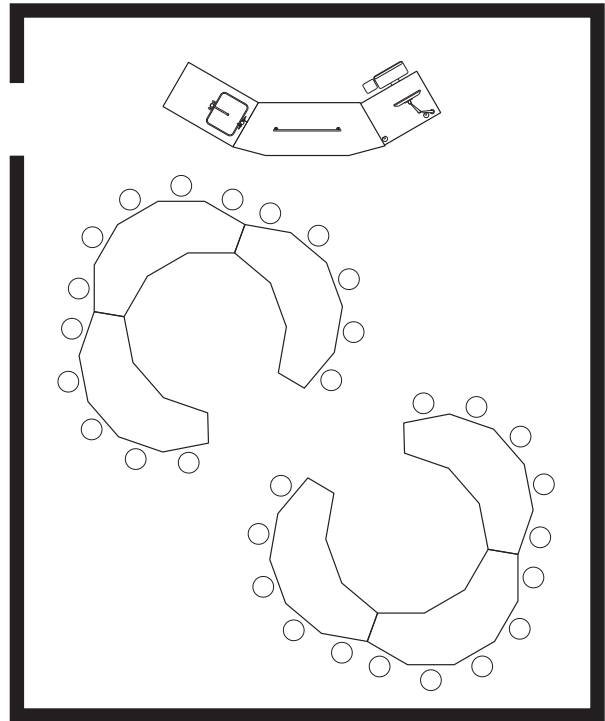


Drawings based on 28' x 34' classroom

Layout 7



Layout 8

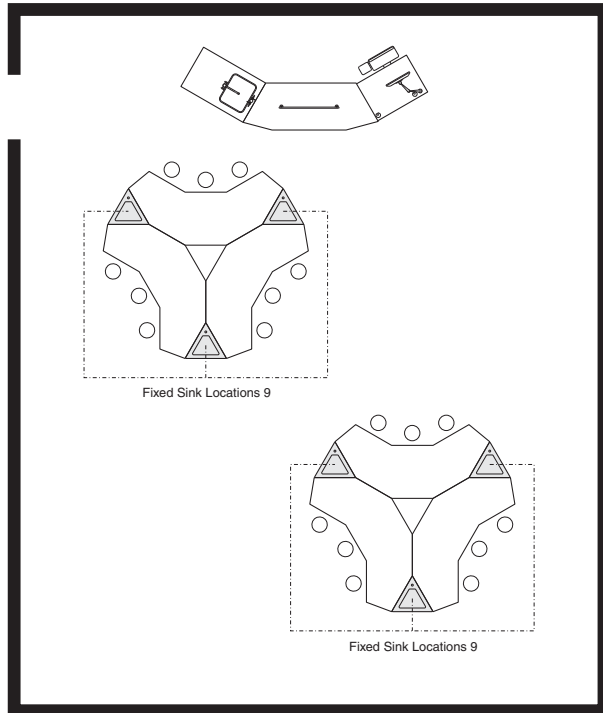


Drawings based on 28' x 34' classroom

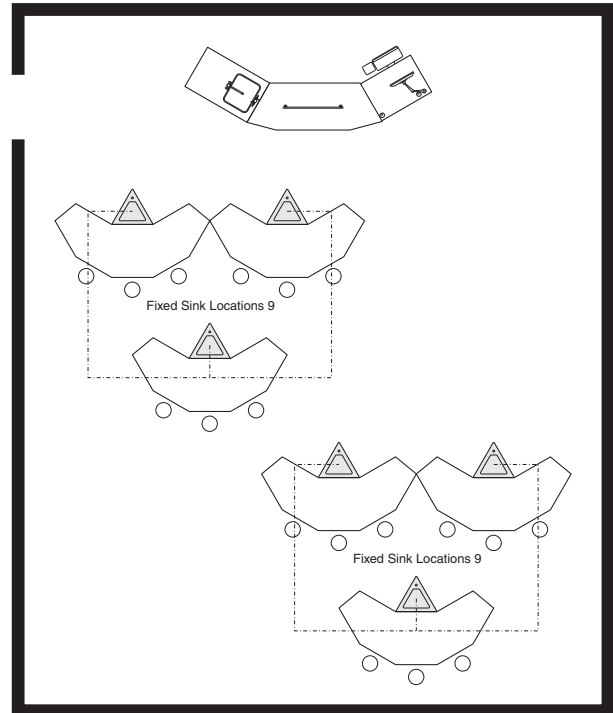
Technical Information

Example Classroom Layouts - Multiple Configurations of Fixed Sink Locations

Layout 9a

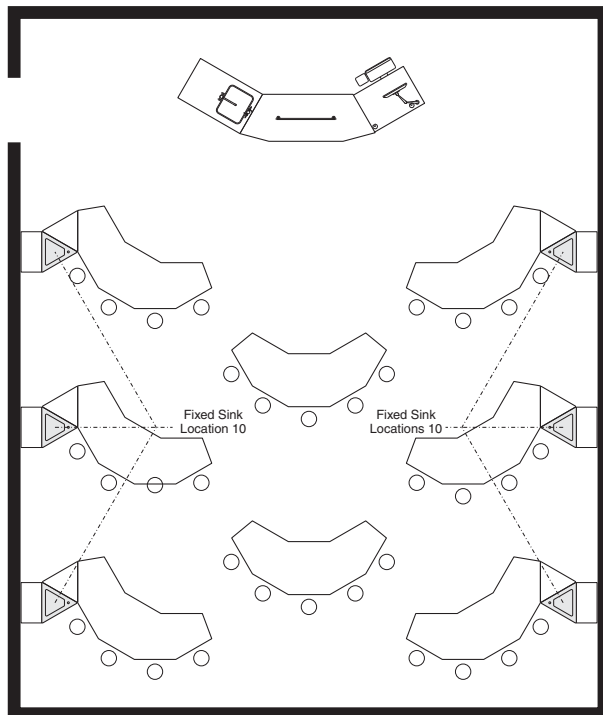


Layout 9b

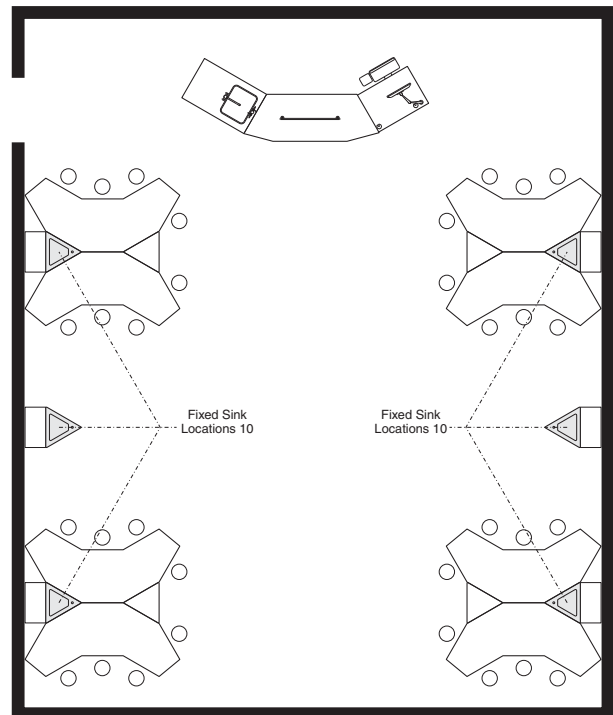


Drawings based on 32' x 38' classroom

Layout 10a



Layout 10b



Drawings based on 32' x 38' classroom

Kewaunee Scientific Corporation is dedicated to manufacturing high quality products for the laboratory marketplace.

We offer **Total Laboratory Solutions, Innovative Designs, and Technological Expertise** with a worldwide distribution network to provide laboratories that are truly World Class.

Laboratory Products from Kewaunee:

ALPHA – Adaptable Casework System

ALPHA Columns – Expandable Workstations

ALPHA Overhead Carrier Systems

EarthLine – Environmentally Friendly Casework

Enterprise – Moveable Workstations

Interceptor – Biological Safety Cabinet

Kemresin – Epoxy Resin Counters & Sinks

Research Collection – Steel Casework

Signature Series – Wood Casework

Supreme Air Fume Hoods

For our complete product offering, specifications, catalogs, brochures, case studies, and dealer list, go to www.kewaunee.com, or contact your local sales representative directly.



The mark of responsible forestry
Certificate Code
SW-COC-002756
© 1996 Forest Stewardship Council A.C.



PO Box 1842 • Statesville, NC 28687-1842
Phone: (704) 873-7202 • Fax: (800) 932-3296
Email: kscmarketing@kewaunee.com
Web Site: www.kewaunee.com